

**ESV099C1NA**  
**ESV129C1NA**  
**ESV189C1NA**

**ESV097C1SA**  
**ESV127C1SA**  
**ESV187C1SA**

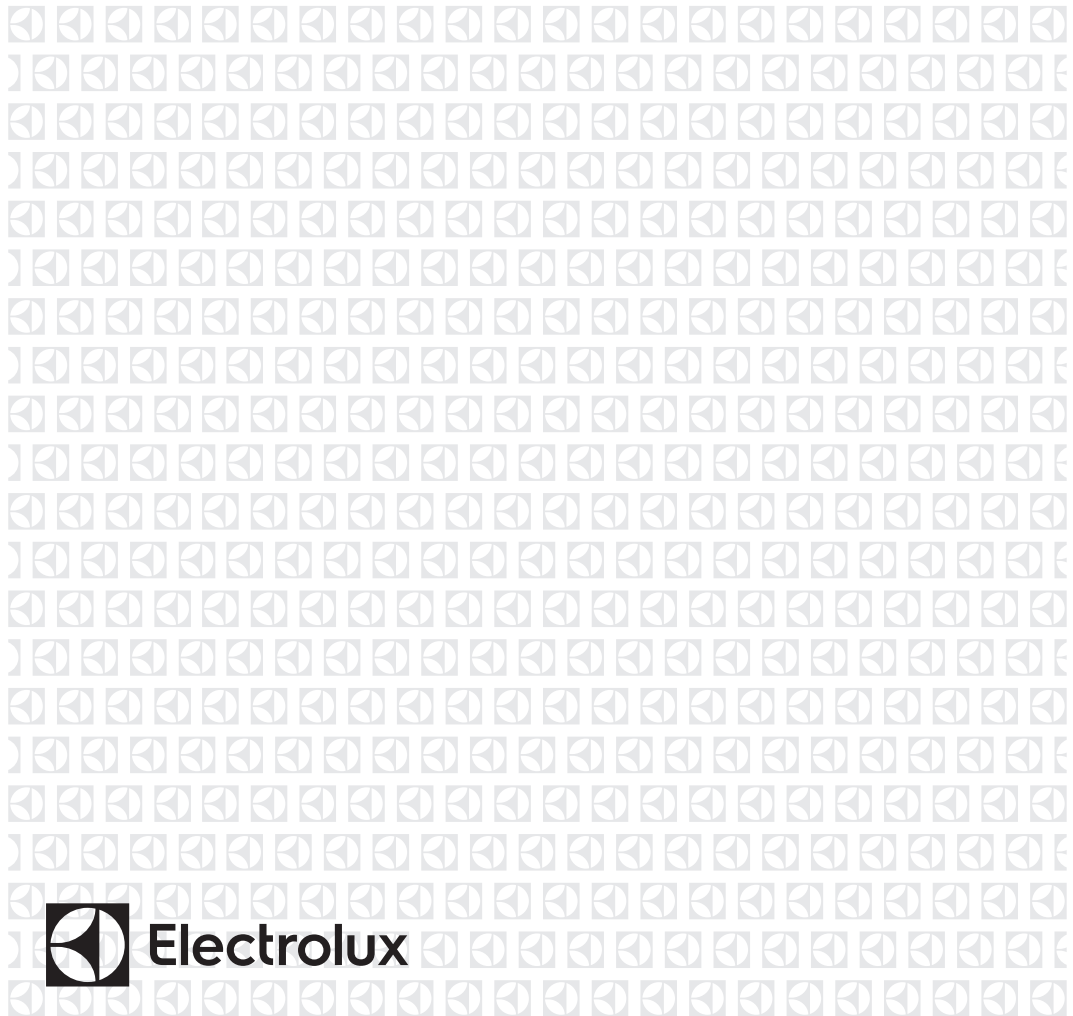
**ESV125C2WA**  
**ESV185C2WA**  
**ESV245C2WA**

---

**EN** AIR CONDITIONER  
**TH** เครื่องปรับอากาศ

---

USER MANUAL  
คู่มือการใช้งาน



# CONTENTS

1. SAFETY INSTRUCTIONS .....	3
2. PRODUCT DESCRIPTION .....	5
3. INDOOR UNIT DISPLAY .....	6
4. REMOTE CONTROLLER .....	6
5. REMOTE CONTROLLER DESCRIPTION .....	8
6. HOW TO USE THE REMOTE CONTROLLER .....	10
7. HOW TO USE THE INDOOR UNIT .....	14
8. OPERATING TEMPERATURE .....	15
9. EMERGENCY OPERATION .....	15
10. CLEANING AND MAINTENANCE .....	16
11. OPERATION TIPS .....	18
12. TROUBLESHOOTING .....	20
13. CORRECT DISPOSAL OF THIS PRODUCT .....	21

## WE'RE THINKING OF YOU

Thank you for purchasing an Electrolux appliance. You've chosen a product that brings with it decades of professional experience and innovation. Ingenious and stylish, it has been designed with you in mind. So whenever you use it, you can be safe in the knowledge that you'll get great results every time.

Welcome to Electrolux.

### Visit our website to:



Get usage advice, brochures, trouble shooter, service information:  
**[www.electrolux.com](http://www.electrolux.com)**



Register your product for better service:  
**[www.electrolux.com/productregistration](http://www.electrolux.com/productregistration)**



Buy Accessories, Consumables and Original spare parts for your appliance:  
**[www.electrolux.com/shop](http://www.electrolux.com/shop)**

## CUSTOMER CARE AND SERVICE

We recommend the use of original spare parts.

When contacting Service, ensure that you have the following data available.

The information can be found on the rating plate. Model, PNC, Serial Number



Warning / Caution-Safety information.



General information and tips



Environmental information.

Subject to change without notice.

# 1. SAFETY INSTRUCTIONS

Before the installation and use of the appliance, carefully read the supplied instructions. The manufacturer is not responsible if an incorrect installation and use causes injuries and damages. Always keep the instructions with the appliance for future reference.

## 1.1 Children and vulnerable people safety



### **WARNING!**

Risk of suffocation, injury or permanent disability.

- This appliance is not intended for use by persons (including children) with reduced physical, sensory or mental capabilities, or lack of experience and knowledge, unless they have been given supervision or instruction concerning use of the appliance by a person responsible for their safety.
- Children should be supervised to ensure that they do not play with the appliance.

## 1.2 Installation and Use



### **WARNING!**

Risk of suffocation, injury or permanent disability.

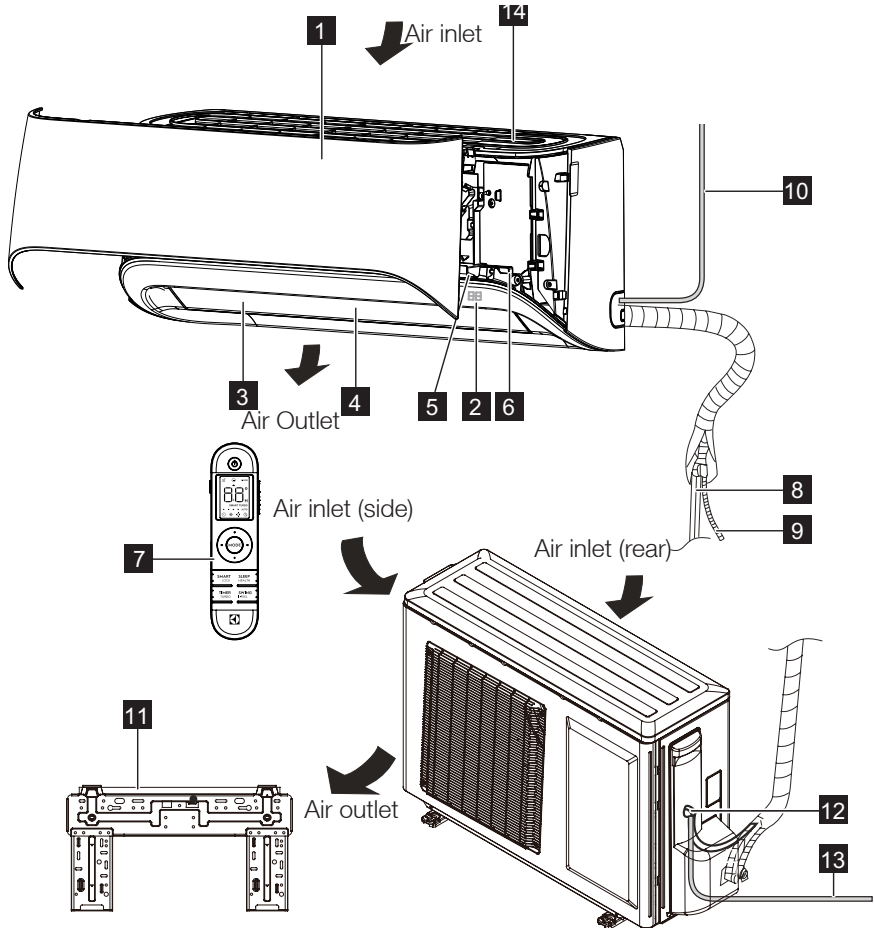
- Contact an authorised installer for installation of this unit.
- Contact an authorised service technician for repair or maintenance of this unit.
- The socket outlet required to supply power must be connected and commissioned by a licenced contractor.
- If the supply cord is damaged, it must be replaced by the manufacturer, its service agent or similarly qualified persons in order to avoid a hazard.
- Installation work must be performed in accordance with the national wiring standards and the electricity suppliers service rules by authorised personnel only.
- If the unit is to be moved to another location or disposed of, only a suitable qualified person is permitted to undertake such work.
- If you notice an unusual situation, such as a burning smell, please switch off the power to the air conditioner and contact an Electrolux service agent. If this abnormal status continues the air conditioner may be damaged or even cause electric shock or fire.
- Do not operate the air conditioner with wet hands. This may cause electric shock.
- Do not damage or cut off the power cord or other wires. If this occurs, please have it repaired or replaced by an accredited technician.
- Do not connect this air conditioner to a multi outlet power board.
- Please switch off the power supply to the air conditioner if it is not to be used for an extended period. Otherwise, it will accumulate dust and may cause a fire.
- Before cleaning the air conditioner, please disconnect the power supply in order to eliminate the possibility of electric shock.
- The power supply should be matched with the air conditioner. Air conditioners provided with a supply cord should be connected directly to a power outlet with a suitable safety switch. Air conditioners that are hard wired must be connected to a suitable safety circuit breaker.
- Please ensure that the power supply to the air conditioner is stable and meets the requirements set out in the installation manual.
- Always ensure the product is installed with appropriate earthing.
- For safety, be sure to turn off the circuit breaker before performing any maintenance or cleaning or when the

product is not used for an extended period of time. Accumulated dust may cause fire or electric shock.

- Select the most appropriate temperature. It can save electricity.
- Do not keep windows and doors open for a long time during operation. It will result in insufficient performance.
- Do not block the air inlet or outlet. It will result in insufficient performance and cause malfunctions.
- Keep combustible materials away from the units at least 1 meter. It may cause fire.
- Do not step on the top of the outdoor unit or place heavy things on it. It may cause damage or injury.
- Do not attempt to repair the air conditioner by yourself. Incorrect repairs may cause electric shock or fire. Please contact your local authorised service centre.
- Do not insert your hands or objects into the air inlet or outlet. It may cause injury.
- Do not expose animals or plants directly to the airflow.
- Do not use the unit for any other purpose, such as preserving food or drying clothes.
- Do not splash water on the air conditioner. It may cause electric shock or malfunction.

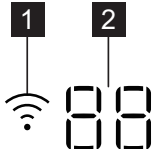
## 2. PRODUCT DESCRIPTION

**i** All the pictures in this manual are for explanation purposes only. The actual shape of the indoor unit you purchased may be slight different on front panel and display window. The actual shape shall prevail.



- |          |                                   |           |                          |
|----------|-----------------------------------|-----------|--------------------------|
| <b>1</b> | Front panel                       | <b>8</b>  | Refrigerant pipe         |
| <b>2</b> | Digital display                   | <b>9</b>  | Drain hose               |
| <b>3</b> | Horizontal air flow louver        | <b>10</b> | Power cable (some units) |
| <b>4</b> | Vertical air flow louver (inside) | <b>11</b> | Mounting plate           |
| <b>5</b> | Manual control button             | <b>12</b> | Connecting cable         |
| <b>6</b> | Ion generator (if applicable)     | <b>13</b> | Power cable (some units) |
| <b>7</b> | Remote controller                 | <b>14</b> | Dust filter              |

### 3. INDOOR UNIT DISPLAY



#### 1 Wireless indication lamp

- Lights up when Wireless feature is activated.

#### 2 TEMPERATURE indication lamp

- Displays the setting or room temperature when the unit is operational.
- Displays the malfunction code when fault occurs.
- Displays the feature code when some feature is activated.

#### \*\*Feature code in indoor unit display

“SC” Displays when unit is in X-fan.

“CL” Displays when unit is in I-Clean.

### 4. REMOTE CONTROLLER

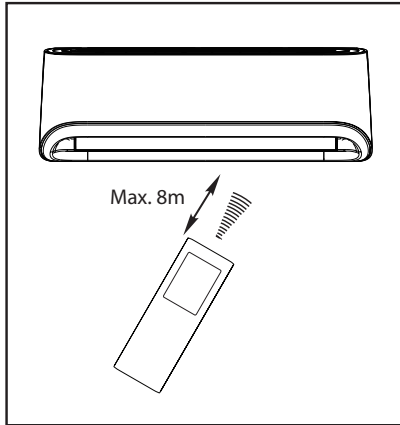
#### 4.1 How to use the Remote controller

1. Keep the remote controller where its signal can reach the receiver of the indoor unit.
2. When operate the air conditioner, make sure the remote controller is pointing to the signal receiver of the indoor unit.
3. When the remote controller sends out a signal, the symbol “▲” will blink in the display of the remote controller.
4. The indoor unit will acknowledge the signal with a beep sound when it receives the signal from the remote controller.
5. Please press the button of the remote controller and resend the signal if you did not hear a beep sound from the indoor unit.



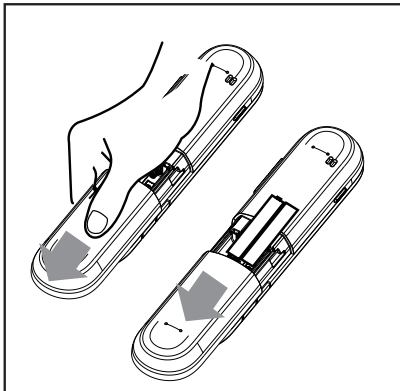
- The air conditioner will not operate if curtains, doors or other materials block the signals from the remote controller to the indoor unit.
- Prevent any liquid from falling into the remote controller. Do not expose the remote controller to direct sunlight or heat.
- If the infrared signal receiver on the indoor unit is exposed to direct sunlight, the air conditioner may not function properly. Use curtains to prevent the receiver being exposed to sunlight.
- If other electrical appliances react to the remote controller, either move these appliances or consult your local dealer.

## 4.2 Location of the Remote Controller



- Keep the remote controller where its signal can reach the receiver of the indoor unit (a maximum distance of 8 m is allowed).
- When the remote controller sends out a signal, the symbol “▲” will blink on the display. The indoor unit will acknowledge the signal with a beep sound when it receives an effective signal.

## 4.3 Battery installation/replacement

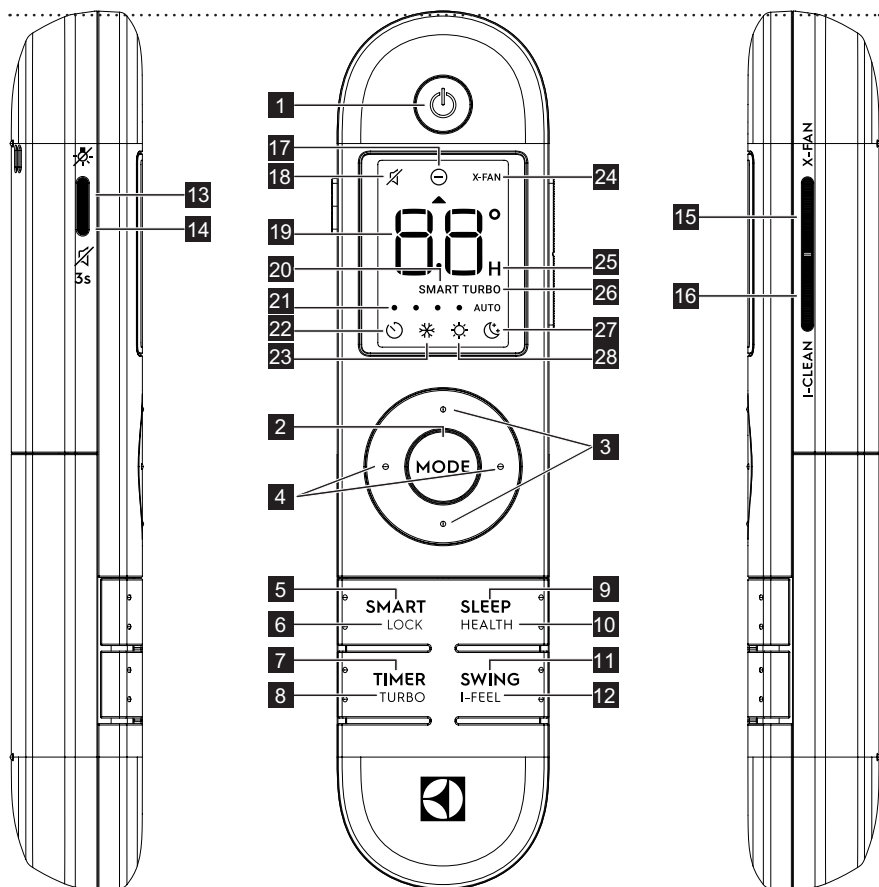


- Remove the back cover from the remote controller, exposing the battery compartment and insert two new alkaline dry batteries (2x AAA 1.5 Volt). Make sure that the polarity of (+) or (-) is installed correctly.
- Slide the battery compartment cover back on.



- When changing batteries, do not use old or varied ones, otherwise, it may cause problems with the remote controller.
- If the remote controller is not used for a long time, remove the batteries as old batteries may leak or corrode and damage the remote controller.
- The battery life during normal use is about six months.
- If the remote controller does not operate normally, please remove and refit the batteries. If abnormal operation continues, replace with new batteries.

## 5. REMOTE CONTROLLER DESCRIPTION

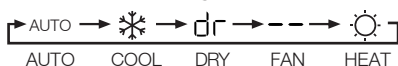


### 1. ON/OFF BUTTON

Press the button to switch on or off the unit

### 2. MODE BUTTON

Press the button to set the operation mode: AUTO, COOL, DRY, FAN and HEAT. Default setting: AUTO.



- For Cooling only models, there is no HEAT mode available.
- In AUTO mode, user can still set desired temperature.

### 3. UP/DOWN BUTTON

Press the button to increase/decrease the temperature. Keep the button pressed for 1 second to accelerate the process.

### 4. LEFT/RIGHT BUTTON

Press the button to set the fan speed: - AUTO - Quiet “•” - LOW “••” - MID “•••” - HIGH “••••” - TURBO. Default setting: AUTO. In DRY mode, fan speed can not be set. The fan speed under Dry mode will be fixed at LOW.

### 5. SMART BUTTON

Press this button when appliance on and not under the Smart will turn on the Smart function, the icon “SMART” will display on



the RC screen, Swing-up/down will be off, ionizer and X-FAN will be on, the fan speed will be auto fan.

## 6. LOCK BUTTON

Long press the button for 5s will activate the enable or disable LOCK feature. Default setting: OFF.

## 7. TIMER BUTTON

Press the button to set/cancel the timer setting.  
See section "How to use the remote controller" for the Timer function description in details.

## 8. TURBO BUTTON

Long press the button for 5s to enable or disable the Turbo function.

## 9. SLEEP BUTTON

Press the button to enable or disable Sleep function. If the Sleep function is enabled, the Sleep symbol "☾" will be shown. Default setting: OFF.

## 10. HEALTH BUTTON

Long press the button for 5s to enable or disable Health function (depending on models). If the Health function is enabled, the Health symbol "⊖" will be shown. Default setting: OFF.

## 11. SWING BUTTON

Press the button to enable or disable the auto swing feature.

## 12. I-FEEL BUTTON

Long press the button for 5s to enable/disable the I-FEEL function. Default setting: OFF.

## 13. LIGHT BUTTON

Press the button to enable/disable the LCD display show in indoor unit. Default setting: ON.

## 14. MUTE BUTTON

Long press the button for 3s to mute/unmute the beep sound from the indoor unit when you send the signal.

## 15. X-FAN BUTTON

Press the button to enable or disable the X-FAN feature. Default setting: OFF.

## 16. I-CLEAN BUTTON

Press the button to enable or disable the I-CLEAN feature. .

## 17. HEALTH DISPLAY

Displays when the HEALTH function is enabled.

## 18. MUTE DISPLAY

Displays when you mute the indoor unit.

## 19. TEMP DISPLAY

Displays the temperature or timer setting shows in the display.

## 20. SMART DISPLAY

Displays when the SMART function is enabled.

## 21. FAN SPEED DISPLAY

Displays the selected fan speed:  
AUTO - Quiet "•" - LOW "••" - MID "•••" - HIGH "••••" - TURBO.

## 22. TIMER DISPLAY

Displays when TIMER feature is activated.

## 23. COOL DISPLAY

Displays when COOL mode is selected.

## 24. X-FAN DISPLAY

Displays when X-FAN function is activated.

## 25. HOUR DISPLAY

Displays when setting the TIMER feature.

## 26. TURBO DISPLAY

Displays when TURBO fan speed is selected.

## 27. SLEEP DISPLAY

Displays when Sleep function is enabled.

## 28. HEAT DISPLAY

Displays when HEAT mode is selected.

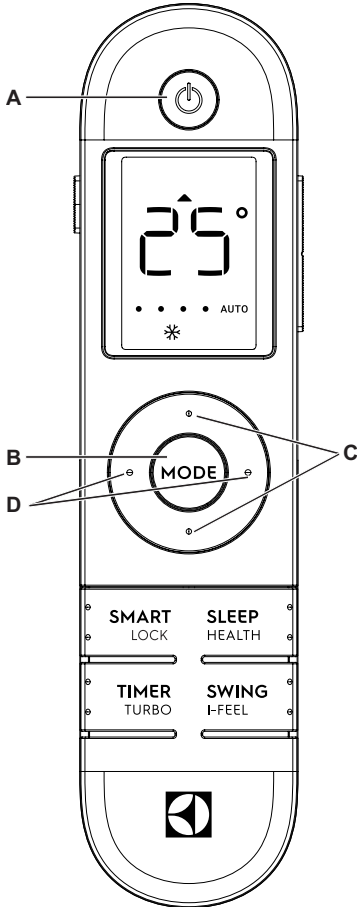


- See section "How to use the remote controller" for the the functions description in details.

## 6. HOW TO USE THE REMOTE CONTROLLER

- i** Ensure the unit is plugged in and power is available. The indicators on the display panel of the indoor unit illuminates.

### Basic Operation

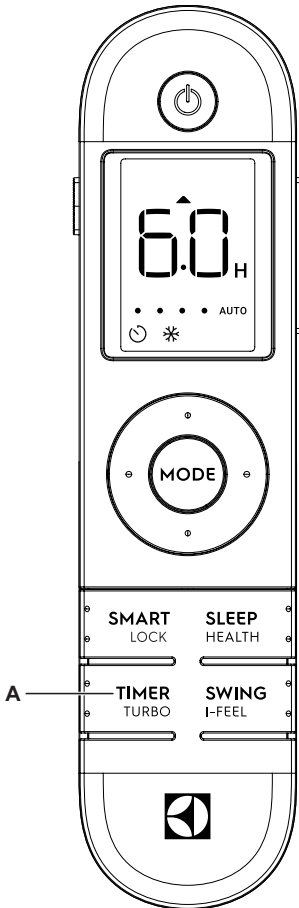


1. Press the ON/OFF button **(A)** to start the air conditioner.
2. Press the MODE button **(B)** to select Auto, Cool, Dry, Fan or Heat mode.
3. Press the UP/DOWN button **(C)** to set the desired temperature. The temperature can be set in 1°C increments. Keep the button pressed for 1 second to accelerate the process.
4. Press the LEFT/RIGHT button **(D)** to select the fan speed.
5. Press the SWING button **(E)** to enable the swing up/down feature.
6. Press the ON/OFF button **(A)** to turn the air conditioner off.



- In the Auto mode, the air conditioner can logically choose the mode of Cool, Fan, and Heat by sensing the difference between the actual ambient room temperature and the set temperature on the remote controller.
- In the Dry mode, the fan speed can not be switched.
- In the Fan mode, you can also adjust the setting temperature.
- Turn off the swing up/down function, the louvre will stop at its current position.

## Timer Operation



When the unit is off, press TIMER button can set the time point when to turn on the unit.

When the unit is on, press TIMER button can set the time point when to turn off the unit.

### Example of Timer setting

1. Press the TIMER button once, the Timer symbol “⌚” and “H” will flashing on the display for 5 seconds.
2. In this period, press the UP and DOWN button to set your desired time to turn on or off the unit.
3. Press the TIMER button again in 5 seconds, the Timer symbol “⌚” and “H” will stop flashing, then the Timer symbol remains on and this function is activated. The digital display on your remote controller will then return to the temperature display.
4. When timer setting finished, press the TIMER button again, the left time will display on remote controller screen for 3 seconds, press the button one more time within this 3 seconds, timer setting will be canceled.



- When setting the Timer on or Timer off functions, the time will increase in 1 hour increments with each press up to 24 hours. The timer will revert to zero after 24 hours.

## Advanced Functions Operations

### 1. I-Clean function

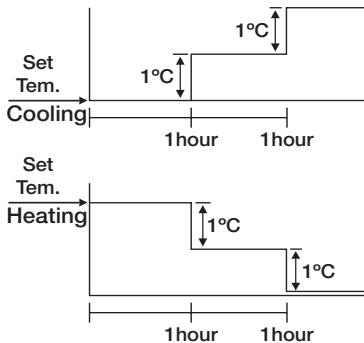
Press the I-Clean button to activate the I-Clean feature, "CL" will show in the remote controller with flashing in 3 seconds, your unit will clean itself automatically after you turned off the indoor unit. Airborne bacteria can grow in the moisture that condenses around heat exchanger in the unit. With regular use, most of this moisture is evaporated from the unit. You can use self clean feature as often as you like.

### 2. Health function (Optional)

Long press the Health button for 5 seconds to enable or disable the Health function. When the function is initiated, the Ionizer/Plasma Dust Collector (depending on models) is energized and will help to clean the air. This function is recommended when the indoor air quality is in bad condition.

### 3. Sleep function

When you press the Sleep button, the economic running function will be activated, the set temperature will increase (cooling) or decrease (heating) by 1°C(2°F) per hour over a 2 hour period. The final temperature will then be maintained till further changes made by the user.



**i** The SLEEP function is not available in AUTO, FAN or DRY mode or SMART function.

### 4. I-FEEL function

Long press the I-Feel button for 5 seconds, the I Feel function will be activated, the remote controller works as a remote thermostat, providing an accurate temperature control and maximum comfort. The remote control sends the temperature information at its location to the indoor unit every several minutes. The air conditioner will quit I Feel operation if no temperature information is received from the remote control for successive minutes.

### 5. Wireless function

Long press the On/Off button for 5 seconds, the unit will enter the wireless binding status.



- Please refer to the "Quick Connection Guide" for the Wireless connection details.

### 6. Lock function

Long press the Lock button for 5 seconds to lock or unlock the remote controller.

### 7. Smart function

Press the Smart button when appliance on and not under the Smart will turn on the Smart function. When the function is initiated, Swing-up/down will be off, ionizer and X-FAN will be on, the fan speed will be auto fan. When appliance step into Smart at first time, the default setting temperature will be 24°C, if not the first time, new setting temperature will replace the default 24°C.

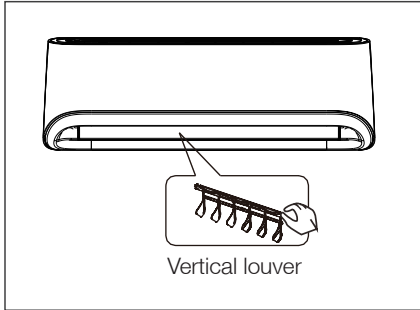
When mode button is pressed under Smart, remote controller will step back into the mode before Smart.

When press following buttons, remote controller will quit the Smart and step into Auto mode with disabling auto fan speed: Fan speed, HEALTH, X-FAN.

## 8. X-Fan function

In Cool and Dry mode, press the X-Fan button (A) to activate the X-Fan function. When the function is initiated, after the unit is turned off the indoor fan will continue operation for 2 minutes to dry the indoor unit prevent from bacteria and mildew growing.

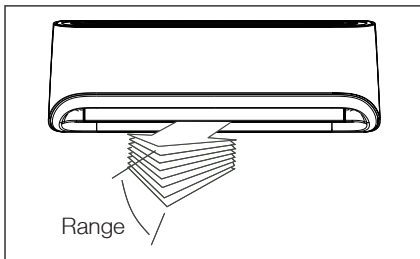
## 7. HOW TO USE THE INDOOR UNIT



1. Adjust the air flow direction properly otherwise it might cause discomfort or cause uneven room temperatures.
2. Adjust the horizontal louver using the remote controller.
3. Adjust the vertical louver manually.

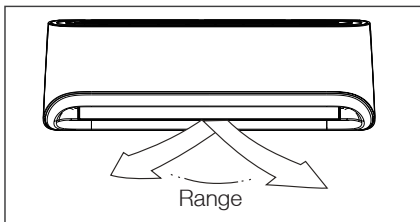
### To set the vertical air flow (Up - Down) direction

Perform this function while the unit is in operation. Use the remote controller to adjust the air flow direction. The horizontal louver can swing up and down automatically.



### To set the horizontal air flow direction (Left - Right)

Perform this function while the unit is in operation. Move the vertical louver manually to adjust the air flow in the direction you prefer.



### IMPORTANT!

Do not put your fingers into the panel of blower and suction side. The high-speed fan inside may cause danger.

- Open angle of the horizontal louver should not be set too small, as COOLING or HEATING performance may be impaired due to too restricted air flow area.
- Do not move the horizontal louver manually, otherwise the horizontal louver will be out of sync. Please cease operating, unplug power for a few seconds, then restart the air conditioner.
- Do not operate unit with horizontal louver in closed position.



### WARNING!

- Do not operate the air conditioner for long periods with the air flow direction set downward in cool or dry mode. Otherwise, condensation may occur on the surface of the horizontal louver causing moisture to drop on to the floor or on furnishings.
- When the air conditioner is started immediately after it was stopped, the horizontal louver might not move for approximately 10 seconds. Louver in closed position.

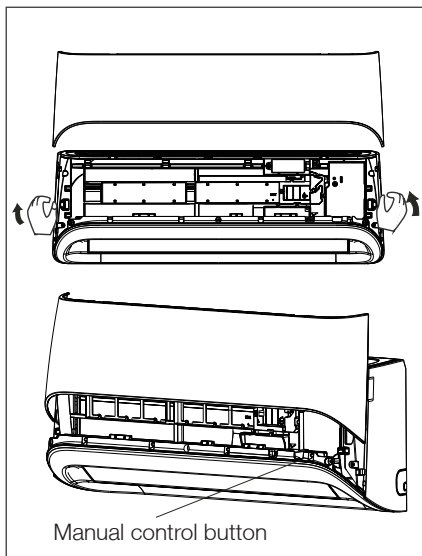
## 8. OPERATING TEMPERATURE

Operating temperature ranges		
Model climate Type	Ambient temperature (Cooling)	Ambient temperature (Heating)
T1	18°C~43°C	-7°C~24°C

### Important!

- Optimum performance will be achieved within these operating temperatures. If air conditioner is used outside of the above conditions, certain safety protection features might come into operation and cause the unit to function abnormally.
- If the air conditioner runs for a long time in cooling mode and the humidity is high, condensed water may drip out of the unit. Please sets the vertical air flow louver to its maximum angle (vertically to the floor), and set HIGH fan mode.

## 9. EMERGENCY OPERATION



Units are equipped with a switch to run emergency operation mode. It can be accessed by opening the front panel. This switch is used for manual operation in case the remote controller fails to work or maintenance necessary.

- Open and lift the front panel up to an angle until it remains fixed with a clicking sound.
- One press of the manual control switch will lead to the forced AUTO operation. If press the switch twice within five seconds, the unit will operate under forced COOL operation.
- Close the panel firmly to its original position.



- The unit must be turned off before operating the manual control button. If the unit is operational, continue pressing the manual control button until the unit is off.
- This switch is used for testing purposes only. You had better not choose it.
- To restore the remote controller operation, use the remote controller directly.

## 10. CLEANING AND MAINTENANCE

### 10.1 Before Maintenance

Turn the system off before cleaning. To clean, wipe with a soft, dry cloth. Do not use bleach or abrasives.



#### WARNING!

Power supply must be disconnected before cleaning the indoor unit.



- A cloth dampened with cold water may be used on the indoor unit if it is very dirty. Then wipe it with a dry cloth.
- Do not use a chemically treated cloth or duster to clean the unit.
- Do not use benzene, thinner, polishing powder, or similar solvents for cleaning. These may cause the plastic surface to crack or deform.
- Never use water hotter than 40°C/104°F to clean the front panel, it could cause deformation and discoloration.

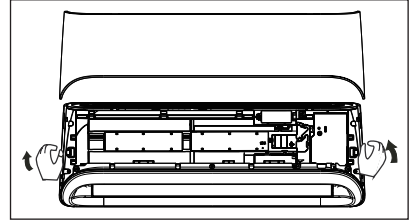
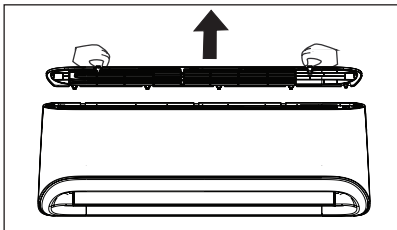
### 10.2 Cleaning the Unit

Wipe the unit with a soft dry cloth only. If the unit is very dirty, wipe it with a cloth soaked in warm water.

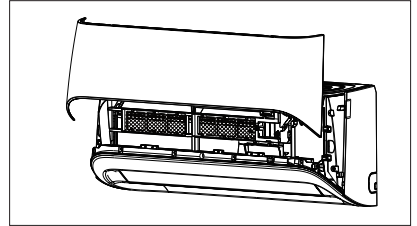
### 10.3 Cleaning the Filters

A clogged air filter reduces the cooling efficiency of this unit. Please clean the filter once every 2 weeks.

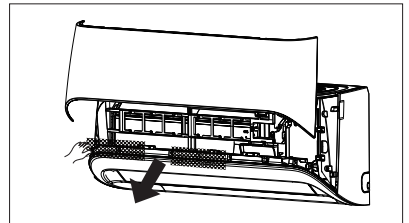
1. The filter locates on the top of the indoor unit.
2. Push the hooks and lift up to take the filter out of the indoor unit.



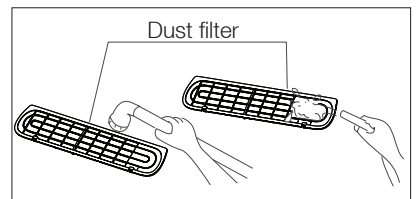
3. Grasp the front panel finger recess and take it away.
4. The healthy air freshening filter (if applicable) are fixed on the frame.



- Remove the healthy filter from the frame of the indoor unit.

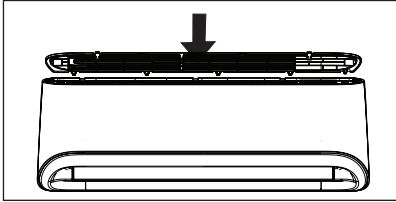


- Replace the healthy filter every 6 months.
  - Clean with vacuum cleaner if possible.
- Clean the Dust filter with a vacuum cleaner or water, then dry it up in cool place.

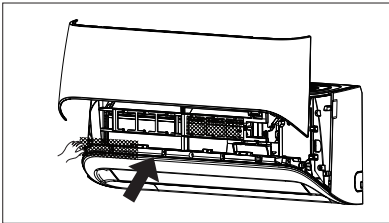




5. Install the dust filter back into position.



6. Insert the healthy air freshening filter back into the frame, and install the front panel back into position, taking care that the left and right edges line up correctly and place filter into position.



## 10.4 Cleaning the air outlet and the panel

1. Use a dry and soft cloth to wipe it.
2. Pure water or mild detergent may be used if it is very dirty.



### WARNING!

- Do not use benzine, thinner, polishing powder, or similar solvents for cleaning. These may cause the surface to crack or deform.
- To avoid the risk of electrical shock or fire, do not let water fall into the indoor unit.
- Never wipe the air flow louver violently.
- An air conditioner without air filter can not expel the dust out of the room, which would cause malfunctions by accumulation.

## 10.5 Replacement the filters

1. Remove the air filter.
2. Remove the air freshening filter.

3. Install a new air freshening filter.
4. Reinstall the air filter and securely close the front panel.

## 10.6 Preparation for extended non-operation

If you plan to idle the unit for a long time, perform the following:

1. Clean the indoor unit and filters.
2. Operate the fan for about half a day to dry the inside of the unit.
3. Stop the air conditioner and disconnect power.
4. Remove the batteries from the remote controller. The outdoor unit requires periodic maintenance and cleaning. Do not attempt to do this yourself. Contact your dealer or service provider.

## 10.7 Pre-season inspection

1. Check that the wiring is not broken off or disconnected.
2. Clean the indoor unit and filters.
3. Check that the air filter is installed.
4. Check if the air outlet or inlet is blocked after the air conditioner has not been used for a long time.



### WARNING!

- Do not touch the metal parts of the unit when removing the filter. Injuries can occur when handling sharp metal edges.
- Do not use water to clean inside the air conditioner. Exposure to water can destroy the insulation, leading to possible electric shock.
- When cleaning the unit, first make sure that the power and circuit breaker are turned off.
- Do not wash air filter with hot water at more than 40°C/104°F. Shake off moisture completely and dry it in the shade. Do not expose it directly to the sun, it may shrink.

# 11. OPERATION TIPS

The following events may occur during normal operation.

## 1. Protection of the air conditioner Compressor

- The compressor can't restart for 3-4 minutes after it stops.

## 2. Anti-cold air (Cooling and heating models only)

- The unit is designed not to blow cold air on HEAT mode, when the indoor heat exchanger is in one of the following three situations and the set temperature has not been reached.

- A) When heating has just started.
- B) Defrosting.
- C) Low temperature heating.

- The indoor or outdoor fan stop running when defrosting (Cooling and heating models only).

## 3. Defrosting (Cooling and heating models only)

- Frost may be generated on the outdoor unit during heat cycle when outdoor temperature is low and humidity is high resulting in lower heating efficiency of the air conditioner.
- During this condition air conditioner will stop heating operation and start defrosting automatically.
- The time to defrost may vary from 4 to 10 minutes according to the outdoor temperature and the amount of frost built up on the outdoor unit.

## 4. A white mist coming out from the indoor unit

- A white mist may generate due to a large temperature difference between air inlet and air outlet on COOL mode in an indoor environment that has a high relative humidity.
- A white mist may generate due to moisture generated from defrosting process when the air conditioner restarts in HEAT mode operation after defrosting.

## 5. Abnormal noise of the air conditioner

- You may hear a low hissing sound when the compressor is running or has just stopped running. It is the sound of the refrigerant flowing or coming to a stop.
- You can also hear a low "squeak" sound when the compressor is running or has just stopped running. This is caused by heat expansion and cold contraction of the plastic parts in the unit when the temperature is changing.
- A noise may be heard due to louver restoring to its original position when power is turned on.

## 6. Dust is blown out from the indoor unit

This is a normal condition when the air conditioner has not been used for a long time or during first use of the unit.

## 7. A peculiar smell comes out from the indoor unit

This is caused by the indoor unit giving off smells permeated from building material, from furniture, or smoke.

## 8. The air conditioner turns to FAN only mode from COOL or HEAT (For cooling and heating models only) mode

When indoor temperature reaches the temperature setting on air conditioner, the compressor will stop automatically, and the air conditioner turns to FAN only mode. The compressor will start again when the indoor temperature rises on COOL mode or falls on HEAT mode (For cooling and heating models only).

## 9. Insufficient Heat (For cooling and heating models only)

The air conditioner draws in heat from the outdoor unit and releases it via the indoor unit during heating operation. When the outdoor temperature falls, heat drawn in by the

air conditioner decreases accordingly. At the same time, heat loading of the air conditioner increases due to larger difference between indoor and outdoor temperature. If a comfortable temperature can't be achieved by the air conditioner, we suggest you use a supplementary heating device.

#### **10. Auto-restart function**

- Power failure during operation will stop the unit completely.
- For the unit without Auto-restart feature, when the power restores, the OPERATION indicator on the indoor unit will flash for 1 second. To restart the operation, push the ON/OFF button on the remote controller. For the unit with Auto-restart feature, when the power restores, the unit restarts automatically with all the previous settings preserved by the memory function.

## 12. TROUBLESHOOTING

<b>Trouble</b>	OPERATION (RUN) indicator or other indicators continue flashing.	The unit may stop operation or continue to run in a safety condition (depending on models). Waiting for about 10 minutes, the fault may be recovered automatically, if not, disconnect the power and then connect it in again. If the problem still exists, disconnect the power and contact the nearest customer service center.
	If one of the following code appears on the display area: <ul style="list-style-type: none"> <li>• E(x), P(x), F(x)</li> <li>• EH(xx), EL(xx), EC(xx)</li> <li>• PH(xx), PL(xx), PC(xx)</li> </ul>	
	Fuse blows frequently or circuit breaker trips frequently.	Stop the air conditioner immediately, disconnect the power and contact the nearest customer service center.
	Other objects or water fall into the air conditioner.	
Terrible odors are smelled or abnormal sounds are heard.		

<b>Malfuctions</b>	<b>Cause</b>	<b>What should be done?</b>
<b>Unit does not start</b>	Power cut	Wait for power to be restored.
	Unit may have become Unplugged.	Check that plug is securely in wall receptacle.
	Fuse may have blown.	Replace the fuse.
	Battery in Remote controller may have been exhausted.	Replace the battery.
	The time you have set with timer is incorrect.	Wait or cancel timer setting.
<b>Unit not cooling or heating (Cooling/ heating models only) room very well while air flowing out from the air conditioner</b>	Inappropriate temperature setting.	Set temperature correctly. For detailed method please refer to "HOW TO USE THE REMOTE CONTROLLER" section.
	Air filter is blocked.	Clean the air filter.
	Doors or Windows are open.	Close the doors or windows.
	Air inlet or outlet of indoor or outdoor unit has been blocked.	Clear obstructions away first, then restart the unit.
	Compressor 3 minutes protection has been activated.	Wait

If the trouble has not been corrected, please contact a local dealer or the nearest customer service center. Be sure to inform them of the detailed malfunctions and unit model number. Do not attempt to repair the unit yourself. Always consult an authorized service provider.

## 13. CORRECT DISPOSAL OF THIS PRODUCT



This marking indicates that this product should not be disposed with other household wastes throughout the EU. To prevent possible harm to the environment or human health from uncontrolled waste disposal, recycle it responsibly to promote the sustainable reuse of material resources. To return your used device, please use the return and collection systems or contact the retailer where the product was purchased. They can take this product for environmental safe recycling.





## สารบัญ

1. คำแนะนำด้านความปลอดภัย.....	3
2. รายละเอียดผลิตภัณฑ์.....	11
3. ส่วนแสดงผลของตัวเครื่องภายใน.....	12
4. รีโมทคอนโทรล.....	12
5. คำอธิบายเกี่ยวกับรีโมทคอนโทรล.....	14
6. วิธีการใช้งานรีโมทคอนโทรล.....	16
7. วิธีการใช้งานตัวเครื่องภายใน.....	20
8. อุณหภูมิการทำงาน.....	21
9. การใช้งานในกรณีฉุกเฉิน.....	21
10. การทำความสะอาดและการบำรุงรักษา.....	22
11. ข้อแนะนำในการใช้งาน.....	24
12. การเก็บรักษา.....	26
13. การทิ้งผลิตภัณฑ์นี้อย่างถูกต้อง.....	27

## ด้วยความห่วงใยฟู้อใช้งานทุกท่าน

ขอขอบคุณที่เลือกซื้อเครื่องใช้ไฟฟ้าจากอีเลคโตรลักซ์ ท่านได้เลือกผลิตภัณฑ์ที่มาพร้อมกับประสบการณ์ระดับมืออาชีพและนวัตกรรมที่สั่งสมมาเป็นเวลาหลายทศวรรษ ผลิตภัณฑ์ของเราได้รับการออกแบบให้มีความสร้างสรรค์และทันสมัยโดยคำนึงถึงท่านเป็นหลัก เพื่อให้เมื่อใดก็ตามที่ท่านใช้งานผลิตภัณฑ์ ท่านจะมั่นใจได้ว่าท่านจะได้ผลลัพธ์ที่ยอดเยี่ยมทุกครั้ง

ขอต้อนรับสู่อีเลคโตรลักซ์

**เยี่ยมชมเว็บไซต์ของเราเพื่อ:**



รับคำแนะนำในการใช้งาน โบรมือร์ การเก็บรักษา ข้อมูลการซ่อมบำรุง:  
[www.electrolux.com](http://www.electrolux.com)



ลงทะเบียนผลิตภัณฑ์ของท่านเพื่อความสะดวกยิ่งขึ้นในการรับบริการ:  
[www.electrolux.com/productregistration](http://www.electrolux.com/productregistration)



ซื้ออุปกรณ์เสริม วัสดุสิ้นเปลือง และอะไหล่ส่งองแก่สำหรับเครื่องใช้ไฟฟ้าของท่าน:  
[www.electrolux.com/shop](http://www.electrolux.com/shop)

## การบริการและการดูแลลูกค้า

ขอแนะนำให้อะไหล่ส่งองแก่

เมื่อมาติดต่อศูนย์บริการ โปรดเตรียมข้อมูลต่อไปนี้ให้พร้อม ท่านสามารถดูข้อมูลนี้ได้ที่ฉากแสดงข้อมูล รุ่น, PNC, หมายเลขผลิตภัณฑ์



ข้อมูลเกี่ยวกับค่าเตือน / ข้อควรระวังและความปลอดภัย



ข้อมูลทั่วไปและข้อแนะนำ



ข้อมูลด้านสิ่งแวดล้อม

อาจมีการเปลี่ยนแปลงโดยไม่ต้องแจ้งให้ทราบล่วงหน้า



# 1. ⚠️ คำแนะนำด้านความปลอดภัย

โปรดอ่านคำแนะนำที่ให้อย่างละเอียดก่อนติดตั้งและใช้งานผลิตภัณฑ์ ผู้ผลิตจะไม่รับผิดชอบต่อการบาดเจ็บและความเสียหายใดๆ ที่เป็นผลมาจากการติดตั้งและการใช้งานที่ไม่ถูกต้อง โปรดเก็บคู่มือฉบับนี้ไว้กับเครื่องทุกครั้งเพื่อการอ้างอิงในอนาคต

## 1.1 ความปลอดภัยของเด็กและผู้ที่มีความเสี่ยง



### คำเตือน!

เสี่ยงต่อการบาดเจ็บจากไฟไหม้ได้รับบาดเจ็บหรือถูกพลาสมาทวาร

- เครื่องใช้ไฟฟ้านี้ไม่มีจุดนาฬิกาใช้โดยบุคคล (รวมถึงเด็ก) ที่ด้อยความสามารถทางร่างกายทางประสาทสัมผัส หรือจิตใจ หรือขาดประสบการณ์และความรู้ เช่น ระบุว่า จะได้รับการควบคุมดูแลหรือการสอบเทียบก่อนการใช้เครื่องใช้ไฟฟ้าโดยบุคคลที่รับผิดชอบต่อความปลอดภัยของบุคคลเหล่านั้น
- เด็กควรได้รับการควบคุมดูแลเพื่อให้แน่ใจว่าจะไม่เล่นเครื่องใช้ไฟฟ้า

## 1.2 การติดตั้งและการใช้งาน







### คำเตือน!

เสี่ยงต่อการบาดเจ็บจากไฟไหม้ได้รับบาดเจ็บหรือถูกพลาสมาทวาร

- ไม่ให้ใช้วิธีเพื่อเร่งกระบวนการละลายน้ำแข็ง หรือค่าความสะอาดใด นอกเหนือจากที่ผู้ทำแนะนำ
- เครื่องปรับอากาศต้องเก็บไว้ในห้องที่ไม่มีแหล่งกำเนิดประกายไฟที่ติดอย่างต่อเนื่อง (เช่น ปลั๊กไฟเปิด อุปกรณ์ที่ทำงานด้วยก๊าซ หรือ อุปกรณ์ที่ทำงานด้วยไฟฟ้าที่กำลังทำงานอยู่)
- ไม่ให้จมน้ำ หรือเปียก
- ระมัดระวังการยกย่นที่อาจไม่ได้ตั้งกลับไว้
- เครื่องปรับอากาศที่ใช้สารทำความเย็นที่ติดตั้งได้ในสถานที่ซึ่งไม่มีภาชนะบรรจุอากาศ หากเกิดการรั่วของสารทำความเย็นแล้ว สถานที่นั้นต้องถูกสร้างใหม่ให้เป็นที่ที่สะสมสารทำความเย็นจนเกิดไฟไหม้ หรือระเบิดได้
- เครื่องปรับอากาศต้องเก็บไว้ในห้องที่มีอากาศถ่ายเท ซึ่งขนาดห้องเป็นไปตามพื้นที่ห้องที่ระบุไว้สำหรับการใช้งาน
- เครื่องปรับอากาศต้องเก็บไว้ในห้องที่ไม่มีปลั๊กไฟเปิดอย่างต่อเนื่อง (เช่น อุปกรณ์ที่ใช้ก๊าซที่กำลังทำงานอยู่) และแหล่งประกายไฟ (เช่น อุปกรณ์ทำความร้อนไฟฟ้า)
- ติดต่อช่างติดตั้งที่ได้รับอนุญาตหากต้องการติดตั้งเครื่องปรับอากาศนี้
- ติดต่อช่างซ่อมบำรุงที่ได้รับอนุญาตหากต้องการซ่อมแซมหรือบำรุงรักษาเครื่องปรับอากาศนี้
- เข้ารับการชี้แจงในการจ่ายไฟฟ้าต่อระบบและดำเนินการโดยผู้รับจ้างที่มีใบอนุญาต
- ถ้าสายไฟเกิดความเสียหาย โปรดให้ผู้ผลิต ตัวแทนฝ่ายบริการ หรือบุคคลที่มีความชำนาญเป็นผู้อุปถัมภ์สายไฟเพื่อหลีกเลี่ยงอันตรายจากไฟฟ้า
- ต้องติดตั้งเครื่องปรับอากาศ ตามมาตรฐานการติดตั้งทางไฟฟ้า สำหรับประเทศไทย ของวิศวกรรมสถานแห่งประเทศไทย ในพระบรมราชูปถัมภ์ (วสท.)
- การดำเนินงานติดตั้งต้องเป็นไปตามมาตรฐานการวางระบบสายไฟภายในประเทศแลกฎการให้บริการของผู้นับบริการระบบไฟฟ้า โดยบุคลากรที่ได้รับอนุญาตเท่านั้น
- หากต้องย้ายเครื่องปรับอากาศไปยังสถานที่อื่นหรือนำไปทิ้ง ต้องให้บุคคลที่ผ่านการรับรองอย่างเหมาะสมเป็นผู้กระทำการดังกล่าวเท่านั้น
- หากท่านพบสถานการณ์ที่ไม่ปกติ เช่น มีกลิ่นใหม่ โปรดปิดสวิตช์ไฟของเครื่องปรับอากาศและติดต่อตัวแทนให้บริการของฮิลส์ทริสติกส์ หากยังมีความผิดปกติเกิดขึ้น เครื่องปรับอากาศอาจได้รับความเสียหาย หรือแม้กระทั่งอาจทำให้เกิดไฟฟ้าช็อต หรือเพลิงไหม้ได้
- ห้ามใช้งานเครื่องปรับอากาศขณะมือเปียก เพราะอาจทำให้ถูกไฟฟ้าช็อตได้
- ห้ามตัดหรือทำให้สายไฟหรือสายอื่นๆ เสียหาย หากเกิดกรณีเช่นนี้ โปรดขอรับบริการซ่อมแซมหรือเปลี่ยนโดยช่างที่ผ่านการรับรอง
- ห้ามต่อเครื่องปรับอากาศเข้ากับเต้ารับแบบพ่วงหลายปลั๊ก
- โปรดปิดสวิตช์แหล่งจ่ายไฟของเครื่องปรับอากาศ หากจะไม่ใช้เครื่องปรับอากาศเป็นระยะเวลาสามปีขึ้นไป เครื่องจะสะสมฝุ่นและอาจทำให้เกิดเพลิงไหม้

- ก่อนทำความสะอาดเครื่องปรับอากาศ โปรดปิดสวิตช์แหล่งจ่ายไฟเพื่อตัดความเสี่ยงในการถูกไฟฟ้าช็อต
- หลังจ่ายไฟควรเหมาะสมกับเครื่องปรับอากาศ เครื่องปรับอากาศที่หลายไฟมาด้วย ควรต่อตรงเข้ากับเต้ารับที่มีสวิตช์เบรกเกอร์ที่เหมาะสม ส่วนเครื่องปรับอากาศแบบต่อสายตรงนั้น ต้องต่อเข้ากับเบรกเกอร์เบรกเกอร์ที่เหมาะสม
- โปรดตรวจสอบว่าแหล่งจ่ายไฟของเครื่องปรับอากาศมีความเสถียรและเป็นไปตามข้อกำหนดที่ระบุไว้ในคู่มือการติดตั้ง
- ตรวจสอบว่าพลิตกั้นที่ได้รับการติดตั้งโดยมีการต่อสายดินอย่างเหมาะสมทุกครั้ง
- เพื่อความปลอดภัย โปรดปิดสวิตช์เบรกเกอร์ก่อนดำเนินการบำรุงรักษาหรือทำความสะอาดใดๆ หรือเมื่อไม่ใช้พลิตกั้นที่เป็นระยะเวลาาน ฟุนที่สะสมอาจทำให้เกิดเพลิงไหม้ หรือไฟฟ้าช็อตได้
- เลือกอุณหภูมิที่เหมาะสมที่สุด การทำเช่นนี้สามารถประหยัดไฟฟ้าได้
- ห้ามเปิดหน้าต่างและประตูทิ้งไว้เป็นเวลานานระหว่างการใช้งาน การทำเช่นนี้จะส่งผลให้มีประสิทธิภาพไม่เพียงพอ
- ห้ามกีดขวางช่องลมเข้าหรือช่องลมออก การทำเช่นนี้ จะส่งผลให้มีประสิทธิภาพไม่เพียงพอ และทำให้เครื่องทำงานผิดปกติ
- เก็บวัสดุที่ติดไฟได้ให้ห่างจากเครื่องปรับอากาศอย่างน้อย 1 เมตรเพราะอาจทำให้เกิดเพลิงไหม้ได้
- ห้ามเหยียบบนคอมเพรสเซอร์หรือวางสิ่งของที่น้ำหนักมากไว้ด้านบน เพราะอาจทำให้เกิดความเสียหายหรือเกิดการบาดเจ็บได้
- ห้ามพยายามซ่อมแซมเครื่องปรับอากาศด้วยตัวเอง การซ่อมแซมที่ไม่ถูกต้องอาจทำให้ถูกไฟฟ้าช็อตหรือเกิดเพลิงไหม้ได้ โปรดติดต่อศูนย์บริการที่ได้รับอนุญาตใกล้บ้านท่าน
- ห้ามสอดมือหรือวัตถุอื่นๆ เข้าไปในช่องลมเข้าหรือช่องลมออก เพราะอาจทำให้เกิดการบาดเจ็บได้
- ห้ามให้สัตว์เลี้ยงหรือต้นไม้อยู่วางทางลมโดยตรง
- ห้ามใช้เครื่องปรับอากาศเพื่อวัตถุประสงค์อื่น เช่น การนอนอาหารหรือการอบแห้งผ้า
- ห้ามเสียน้ำใส่เครื่องปรับอากาศ เพราะอาจทำให้ถูกไฟฟ้าช็อตหรือเกิดการบาดเจ็บได้

สัญลักษณ์	หมายเหตุ	คำอธิบาย
	คำเตือน	สัญลักษณ์นี้หมายความว่า เครื่องใช้ไม่มีสารทำความเย็นที่มีคุณสมบัติไวไฟ หากสารทำความเย็นรั่วไหลและสัมผัสกับแหล่งกำเนิดประกายไฟภายนอก อาจก่อให้เกิดเพลิงไหม้ได้
	ข้อควรระวัง	สัญลักษณ์นี้หมายความว่า ท่านต้องอ่านคู่มือการใช้งานนี้อย่างละเอียด
	ข้อควรระวัง	สัญลักษณ์นี้หมายความว่า ช่างต้องดำเนินการต่างๆ โดยอ้างอิงจากคู่มือการติดตั้ง
	ข้อควรระวัง	สัญลักษณ์นี้จะแสดงข้อมูลที่มีอยู่ เช่น คู่มือการใช้งานหรือคู่มือการติดตั้ง



## คำเตือนเกี่ยวกับสารทำความเย็นชนิด R32

เครื่องใช้นี้มีสารทำความเย็นไดฟลูออโรมีเทนชนิด R32 ซึ่งถือเป็นแก๊สที่มีคุณสมบัติไวไฟเล็กน้อยชนิด 2.2 ตามมาตรฐาน ISO 5149 และต้องได้รับการจัดการโดยช่างระบบทำความเย็นที่มีใบอนุญาตการจัดการสารทำความเย็นที่ถูกต้อง

### 1.3 พื้นที่จากพื้นที่ต่ำสุด

เครื่องใช้นี้มีสารทำความเย็นที่มีคุณสมบัติไวไฟเล็กน้อยชนิด R32 ห้องที่มีขนาดต่างกัน จะใช้สารทำความเย็นต่างระดับกัน โปรดตรวจสอบให้แน่ใจว่าขนาดห้องต่ำสุดเหล่านี้ได้รับการดำเนินการตามการติดตั้งมาตรฐาน

ชนิดสารทำความเย็น	ชื่อรุ่น		ปริมาณการเดินสารทำความเย็นสูงสุดที่ใช้ (กิโลกรัม)	พื้นที่ต่ำสุด (ตารางเมตร)
	อินฟรอยส์ยูนิต	คอนเดนซิงยูนิต		
R32	ESV125C2WAI	ESV125C2WAE	0.60	_*
	ESV185C2WAI	ESV185C2WAE	0.72	_*
	ESV245C2WAI	ESV245C2WAE	1.30	1.62
	ESV097C1SAI	ESV097C1SAE	0.55	_*
	ESV127C1SAI	ESV127C1SAE	0.59	_*
	ESV187C1SAI	ESV187C1SAE	0.80	_*
	ESV099C1NAI	ESV099C1NAE	0.52	_*
	ESV129C1NAI	ESV129C1NAE	0.94	_*
	ESV189C1NAI	ESV189C1NAE	1.00	_*

\* ไม่มีการจำกัดขนาดของพื้นที่ติดตั้ง หากสารทำความเย็นที่เติมสูงสุดมีปริมาณน้อยกว่า 1.22 กิโลกรัม



### ข้อควรระวัง

#### 1. การติดตั้ง (พื้นที่)

- การติดตั้งงานท่อสารทำความเย็น ต้องติดตั้งให้สั้นที่สุด
- กรณีบรรจุสารทำความเย็นที่สถานที่ติดตั้ง พลของสารทำความเย็นที่บรรจุเข้าไปเกิดจากความยาวท่อที่ต่างกัน ต้องแสดงปริมาณสารทำความเย็นที่บรรจุเพิ่ม
- งานที่ต้องป้องกันจากความเสียหายทางกายภาพ และในกรณีสารทำความเย็นติดไฟได้ต้องไม่ติดตั้งในบริเวณที่ไม่มีการระบายของอากาศ ถ้าบริเวณนั้นมีพื้นที่น้อยกว่าตามตารางทางด้านบน
- ติดตั้งเครื่องภายในอาคารบนผนังโดยให้ความสูงจากพื้นมากกว่า 2.5 เมตร

- ให้เป็นไปตามกฎระเบียบแห่งชาติในเรื่องก๊าซ
- การเชื่อมต่อต่าง ๆ ควรคำนึงถึงการเข้าถึงเพื่อทำการบำรุงรักษา
- ในกรณีนี้ จำเป็นต้องให้มีการถ่ายเทอากาศไปให้สิ่งอุดตันช่องระบายความร้อน
- เมื่อต้องการกำจัดผลิตภัณฑ์ที่ใช่แล้ว ต้องปฏิบัติตามมาตรฐานกฎระเบียบอย่างเคร่งครัด

#### 2. การบริการ

##### 2-1. ผู้ให้บริการเสถียรคุณสมบัติของบุคลากร

- บุคคลใดที่เกี่ยวกับการทำงานหรือการตัดเข้าวงจรน้ำยาแอร์ควรเป็นผู้ที่ได้รับการรับรองจากผู้ผลิตที่สามารถดำเนินการรับมือน้ำยาแอร์ได้อย่างปลอดภัย สอดคล้องกับการประเมินของ ผู้ผลิตโดยเฉพาะ

- การให้บริการควรดำเนินการโดยอุปกรณ์ที่แนะนำโดยผู้ผลิตเท่านั้น การบำรุงรักษาและการซ่อมแซมที่ต้องการความช่วยเหลือทางด้านอื่น ๆ ต้องดำเนินการภายใต้การดูแลของผู้ที่ได้รับการรับรองในการใช้น้ำยาแอร์ไวไฟ
- การให้บริการควรดำเนินการโดยอุปกรณ์ที่แนะนำโดยผู้ผลิตเท่านั้น

## 2-2. ตรวจสอบบริเวณ/พื้นที่

- ก่อนเริ่มปฏิบัติงานเกี่ยวกับระบบที่ไร้สารทำความเย็นที่ติดตั้งไว้แล้ว ควรตรวจสอบความปลอดภัยก่อนเพื่อให้แน่ใจว่ามีความเสี่ยงจากการเกิดประกายไฟน้อยที่สุด สำหรับการปฏิบัติงานซ่อมแซมระบบทำความเย็นให้ทำตามข้อ 2-2 ถึง 2-8 ให้แล้วเสร็จก่อนที่จะปฏิบัติงานกับตัวระบบ

## 2-3. ขั้นตอนการปฏิบัติงาน

- การปฏิบัติงานต้องทำตามขั้นตอนที่ควบคุมการทำงาน เพื่อให้ความเสี่ยงต่อก๊าซหรือโอที่ติดตั้งได้ที่ติดตั้งในขณะปฏิบัติงานน้อยที่สุด

## 2-4. พื้นที่ปฏิบัติงานทั่วไป

- เจ้าหน้าที่ซ่อมบำรุงหรือบุคคลที่ทำงานในบริเวณนั้นทุกคน ต้องเข้าใจลักษณะงานที่กำลังปฏิบัติ หลีกเลี่ยงการปฏิบัติงานในพื้นที่ปิด และต้องแบ่งพื้นที่ทำงานให้เป็นสัดส่วน เพื่อให้มั่นใจได้ว่าสภาวะต่างๆ ในพื้นที่มีความปลอดภัยโดยการควบคุมวัสดุติดตั้งไฟได้

## 2-5. การตรวจสอบการมีอยู่ของสารทำความเย็น

- ต้องตรวจสอบพื้นที่ด้วยอุปกรณ์ตรวจจับสารทำความเย็นที่เหมาะสม ก่อนเลขนะปฏิบัติงาน เพื่อทำให้มั่นใจได้ว่าช่างเทคนิคตระหนักถึงโอกาส ความเป็นพิษหรือที่ติดตั้งไว้ในบรรยากาศโดยรอบ ทำให้มั่นใจได้ว่าอุปกรณ์ตรวจจับการรั่วไหลที่ใช้ไม่เหมาะสมสำหรับการใช้งานกับสารทำความเย็นทุกชนิดที่ใช้งาน เช่น ไม่มีประกายไฟ ปิดผนึกอย่างพอเพียง หรือความปลอดภัยในตัว (intrinsically safe)

## 2-6. การจัดให้มีเครื่องดับเพลิง

- ถ้ามีการปฏิบัติงานที่มีอุณหภูมิสูงกับอุปกรณ์ทำความเย็นหรืออุปกรณ์ประกอบใดๆ ต้องจัดให้มีเครื่องดับเพลิงที่เหมาะสมในตำแหน่งที่หยิบใช้ได้ง่าย ต้องมีเครื่องดับเพลิงชนิดผงเคมีแห้ง หรือนิรดับแรงจูงก๊าซคาร์บอนไดออกไซด์ (CO<sub>2</sub>) ติดตั้งไว้ใกล้กับพื้นที่ที่บรรจุก๊าซทำความเย็น

## 2-7. ไม่มีแหล่งที่ทำให้เกิดประกายไฟ

- ห้ามให้บุคคลที่ทำงานเกี่ยวกับระบบน้ำยาแอร์ที่เกี่ยวข้องกับการเดินท่อซึ่งมีน้ำยาแอร์ไวไฟใช้แหล่งกำเนิดการเผาไหม้ใด ๆ เพราะอาจทำให้เกิดความเสี่ยงไฟไหม้และระเบิดได้
- ในบริเวณที่ทำงานติดตั้ง งานซ่อมแซม การถอดการกำจัดที่อาจมีน้ำยาแอร์ไหลออกมา ไม่ควรให้มีแหล่งกำเนิดการเผาไหม้ทุกชนิดรวมถึงการสูบบุหรี่ด้วย
- ควรตรวจสอบพื้นที่ในการปฏิบัติงานก่อนทำงาน ให้แน่ใจว่าปราศจากวัตถุไวไฟ และความเสี่ยงในการเกิดการเผาไหม้ ควรมีการแสดงสัญลักษณ์ “ห้ามสูบบุหรี่”

## 2-8. พื้นที่ระบายอากาศ

- เพื่อให้มั่นใจว่าพื้นที่ปิดหรือระบายอย่างเพียงพอ ก่อนหรือก่อนระบบท่อ หรือปฏิบัติงานที่มีความร้อน ระดับของการระบายอากาศต้องมีความเพียงพอของกรทำงานเสร็จ การระบายอากาศควรกระจายสารทำความเย็น และขับออกไปยังบรรยากาศภายนอกอย่างปลอดภัย

## 2-9. ตรวจสอบอุปกรณ์เครื่องทำความเย็น

- หากมีการเปลี่ยนแปลงชิ้นส่วนไฟฟ้าใด ควรให้เหมาะสมกับวัตถุประสงค์การใช้งานและถูกต้องตามลักษณะที่กำหนด
- ควรปฏิบัติตามการบริการและการซ่อมบำรุงของผู้ผลิตอยู่เสมอ
- หากมีข้อสงสัย ให้ปรึกษาแผนกช่างจากผู้ผลิตสำหรับการช่วยเหลือ
- การติดตั้งที่ใช้น้ำยาแอร์ไวไฟ ต้องทำการตรวจสอบรายการดังนี้
  - สารทำความเย็นที่บรรจุจริง ต้องสอดคล้องกับขนาดของห้อง จำนวนจากชิ้นส่วนที่ติดตั้งที่มีสารทำความเย็นบรรจุ
  - เครื่องจักรกลระบายอากาศ และทางออก ต้องทำงานอย่างพอเพียง และไม่มีสิ่งกีดขวาง
  - ถ้าโรงจรรยาสารทำความเย็นทางอ้อม ต้องตรวจสอบการมีอยู่ของสารทำความเย็นของวงจรทุกจุด
  - การทำเครื่องหมายบนอุปกรณ์ต้องมองเห็น และอ่านออกได้ เครื่องหมาย และสัญลักษณ์ที่ไม่ถูกต้องได้รับการแก้ไข

- ต้องติดก้อสารทำความเย็น หรือส่วนประกอบในตำแหน่งที่ไม่สัมผัสกับสารใดๆ ที่อาจจะทำให้เกิดการกัดกร่อนต่อส่วนประกอบที่มีสารทำความเย็น เช่นเตส่วนประกอบนั้นทำด้วยวัสดุซึ่งต้านทานต่อการกัดกร่อน หรือมีการป้องกันอย่างเหมาะสมต่อการกัดกร่อน

## 2-10. ตรวจสอบอุปกรณ์ไฟฟ้า

- การซ่อมแซมและการบำรุงรักษาส่วนประกอบทางไฟฟ้า ต้องรวมถึงการตรวจสอบความปลอดภัยและขั้นตอนตรวจสอบส่วนประกอบขั้นต้น ถ้าความปลอดภัยที่อยู่ที่ทำให้ไม่ปลอดภัย ต้องไม่ต่อแหล่งจ่ายไฟฟ้ากับวงจร จนกระทั่งตรวจสอบอย่างครบถ้วน ถ้าความปลอดภัยเกิดขึ้นไม่ได้ในทันที แต่จำเป็นต้องทำงานต่อเนื่องให้นำมาตรการแก้ไขชั่วคราวที่เหมาะสมมาใช้ และต้องรายงานความปลอดภัยไปยังผู้ทำอุปกรณ์เพื่อให้อุปกรณ์ที่เกี่ยวข้องได้รับการรับทราบ
- การตรวจสอบความปลอดภัยขั้นต้น ต้องประกอบด้วยด้วย
  - การกายประจุของตัวเก็บประจุ การกายประจุตัวเก็บประจุต้องใช้วิธีที่ปลอดภัยเพื่อหลีกเลี่ยงความเป็นไปได้ของการเกิดประกายไฟ
  - ต้องปลดไฟฟ้าออกจากส่วนประกอบทางไฟฟ้า และสายไฟฟ้าในขณะที่ยังมีสารทำความเย็น ตู้เก็บสารทำความเย็น หรือใส่สารทำความเย็นออกจากระบบ
  - ต้องมีการต่อเนื่องของการต่อลงดิน

## 3. การซ่อมแซมส่วนประกอบที่ปิดผนึก

- ระหว่างดำเนินการซ่อมแซมปิดผนึกชิ้นส่วนอุปกรณ์ไฟฟ้าต้องถอดปลั๊กออกจากอุปกรณ์ที่ใช้ดำเนินการทั้งหมด ก่อนเริ่มทำการถอดปลอกผนึก เป็นต้น
- หากจำเป็นต้องใช้อุปกรณ์ไฟฟ้าระหว่างการให้บริการ เจริญรูปแบบการตรวจจบการรั่วไหลแบบถาวรต้องตั้งอยู่ในบริเวณที่สำคัญที่สุดที่สามารถเตือนในกรณีที่เกิดอันตราย
- เพื่อให้แน่ใจว่าการทำงานกับอุปกรณ์ไฟฟ้าในกรณีที่ไม่มีการเปลี่ยนแปลงในระดับที่ส่งผลกระทบต่อความปลอดภัย จึงควรให้ความสนใจกับรายการดังนี้

- โดยรวมถึงความเสียหายต่อสายไฟ การเชื่อมต่อในปริมาณมากเกินปี ข้อต่อไม่เป็นไปตามที่กำหนด ความเสี่ยงต่อการปิดผนึก เป็นต้น
- ควรแน่ใจว่าการติดตั้งเครื่องมือด้วยความปลอดภัย
- ควรแน่ใจว่าการปิดผนึกหรือวัสดุในการปิดผนึกไม่ได้เกิดการสลายตัว เช่นไม่ต่อสนองต่อวัตถุประสงค์ในการป้องกันแทรกซึมของบรรยากาศไอไฟ
- การเปลี่ยนชิ้นส่วนควรปฏิบัติตามข้อกำหนดของผู้ผลิต

**หมายเหตุ:** การใช้ซีลกันในการปิดผนึก อาจส่งผลกระทบต่อการทำงานของตัวตรวจจบการรั่วไหล ไม่จำเป็นต้องมีการขึ้นชิ้นส่วนก่อนการใช้งานชิ้นส่วนความปลอดภัยสูง

## 4. การซ่อมแซมชิ้นส่วนความปลอดภัยสูง

- ไม่ควรใช้อุปกรณ์เหนี่ยวนำหรือตัวเก็บประจุแบบถาวรเข้าไปในวงจรโดยไม่แน่ใจว่าแรงดันไฟฟ้าเกินกว่าที่อนุญาตและกระแสไฟฟ้าไหลเวียนที่อนุญาตให้อุปกรณ์ใช้งาน
- ชิ้นส่วนความปลอดภัยสูงเป็นประเภทเดียวที่สามารถใช้งานในขณะที่มีบรรยากาศไอไฟ
- เครื่องมือทดสอบควรอยู่ในระดับที่ถูกต้อง
- เปลี่ยนชิ้นส่วนต่างๆ ด้วยไอส์ที่ผู้ผลิตกำหนดไว้เท่านั้น
- หากไอส์ไอส์อื่นอาจทำให้น้ำยาแอร์รั่วไหลเข้าสู่บรรยากาศและติดไฟได้

## 5. การเดินสายไฟ

- ตรวจสอบว่าการเดินสายไฟไม่อยู่ในลักษณะที่อาจประสบปัญหาการฉีกขาด การกัดกร่อน ความดันมากเกินไป การสั้นสะก่อน ของที่บิดงอหรือ พลังงานรุนแรงด้านสิ่งแวดล้อมอื่นใด
- การตรวจสอบดังกล่าวควรคำนึงถึงผลกระทบจากอายุการใช้งานหรือ แรงสั่นสะเทือนต่อเนื่องจากแหล่งต่างๆ เช่น คอมเพรสเซอร์หรือพัดลม

## 6. การตรวจหาน้ำยาแอร์ที่มีความไวไฟ

- ห้ามใช้แหล่งกำเนิดไฟในการค้นหาหรือตรวจหาการรั่วไหลของน้ำยาแอร์ โดยเด็ดขาด
- ไม่ควรใช้หัวเปลมตรวจรั่ว (หรืออุปกรณ์ตรวจหาอื่นใดที่ใช้เปลวไฟ)

## 7. วิธีการตรวจหาการรั่วไหล

- ควรใช้เครื่องตรวจหาการรั่วไหลอิเล็กทรอนิกส์ ตรวจหาน้ำยาแอร์ที่มีความไวไฟ แต่ค่าความไว อาจจะไม่เพียงพอ หรืออาจจำเป็นต้องสอบเทียบ ชั่ว (ควรสอบเทียบเครื่องตรวจหาการรั่วไหลในพื้นที่ที่ไม่มีน้ำยาแอร์)
- ควรแน่ใจว่าเครื่องตรวจหาการรั่วไหลดังกล่าว จะไม่เป็นแหล่งกำเนิดไฟ และเหมาะสมกับน้ำยาแอร์ที่ใช้
- ควรตั้งค่าเครื่องตรวจหาการรั่วไหลเป็นร้อยละ ของ LFL ของน้ำยาแอร์ และควรสอบเทียบกับ น้ำยาแอร์ที่ใช้งาน และตรวจยืนยันค่าร้อยละ ถูกต้องของก๊าซ (สูงสุด 25%)
- ของไหลที่มีคุณสมบัติในการตรวจหาการรั่วไหล จะเหมาะสมต่อการใช้งานกับน้ำยาส่วนใหญ่ ไม่ควรใช้คลอรีนที่มีส่วนผสมของน้ำยาซักผ้า เนื่องจากคลอรีนอาจมีปฏิกิริยากับน้ำยาแอร์ และกัดกร่อนงานท่อทองแดง
- หากสงสัยว่ามีรั่วไหลเกิดขึ้น ควรดับไฟหรือ เคลื่อนย้ายออกไป
- หากพบว่าน้ำยาแอร์รั่วไหล ซึ่งจำเป็นต้องทำ การเชื่อมประสานท่อจะต้องถ่ายน้ำยาแอร์ทั้งหมด ออกจากระบบ หรือแยก (ด้วยวิธีปิดวาล์วต่างๆ) ไปเก็บไว้ในส่วนใดส่วนหนึ่งของระบบซึ่งอยู่ห่าง จากรอยรั่วดังกล่าว จากนั้นใช้ใบโพรเจน (OFN) ไล่อากาศออกจากระบบให้หมดทิ้งก่อนและ ในระหว่างกระบวนการเชื่อมประสาน

## 8. การถ่ายน้ำยาแอร์

- เมื่อเปิดวงจรน้ำยาแอร์เพื่อทำการซ่อมแซม หรือเพื่อการอื่นใด ควรปฏิบัติตามขั้นตอนทั่วไป ทุกรูปแบบ สิ่งสำคัญก็คือควรปฏิบัติตาม หลักรูทซ์ที่ดีที่สุดเนื่องจากการตัดไฟและการ ลุกไหม้เป็นสิ่งที่ควรคำนึง และควรดำเนินการ ตามข้อปฏิบัติดังต่อไปนี้
- ถ่ายน้ำยาแอร์
- ไล่อากาศในวงจรโดยใช้ก๊าซเฉื่อย
- ล้าง
- ไล่อากาศซ้ำอีกครั้งโดยใช้ก๊าซเฉื่อย
- เปิดวงจรโดยตัดหรือเชื่อมประสาน
- การเติมน้ำยาแอร์ควรสูบถ่ายโดยใช้กระบอกสูบ ถ่ายที่เหมาะสม

- ควร “ล้าง” ระบบโดยใช้ OFN เพื่อทำให้ระบบ ปลอดภัย
- ขั้นตอนนี้อาจต้องดำเนินการซ้ำหลายครั้ง
- ไม่ควรใช้อากาศอัดหรือออกซิเจนใน การดำเนินการดังกล่าว
- การล้างจะเสร็จสมบูรณ์โดยทำลายสุญญากาศใน ระบบออกโดยใช้ OFN เติมน้ำยาแอร์จนเกิดความดันที่ เกิดขึ้นจากการทำงาน จากนั้นระบายสุญญากาศ และขั้นตอนสุดท้ายให้เป็นสุญญากาศ
- ควรทำการระบวงการณ์ซ้ำหลายครั้งจนกว่าไม่มี น้ำยาแอร์หลงเหลืออยู่ในระบบ
- เมื่อเติม OFN ครึ่งสุดท้ายเข้าไป ควรระบวงระบบ จนเป็นแรงดันบรรยากาศเพื่อให้สามารถทำงาน
- การทำงานนี้มีส่วนสำคัญอย่างยิ่ง หากจะทำการ เชื่อมประสานบนงานท่อ
- ควรแน่ใจร่องออกของนีนสุญญากาศไม่อยู่ใกล้ กับแหล่งกำเนิดไฟใดๆ และสามารถระบายอากาศได้

## 9. ข้อปฏิบัติในการเติมน้ำยาแอร์

- นอกจากข้อปฏิบัติในการเติมน้ำยาทั่วไปแล้ว ควรปฏิบัติตามข้อบังคับ ดังต่อไปนี้
  - ควรแน่ใจว่าไม่มีการปนเปื้อนน้ำยาแอร์ ต่างชนิดกันเมื่อใช้อุปกรณ์เติมน้ำยาแอร์
  - สายยางหรือท่อต่างๆ ควรสั้นที่สุดเท่าที่จะ ทำได้เพื่อลดปริมาณน้ำยาแอร์ที่บรรจุอยู่ใน สายยางและท่อดังกล่าวให้มีน้อยที่สุด
  - กระบอกสูบถ่ายน้ำยาแอร์ควรวางตั้งตรง
  - ควรแน่ใจว่าได้ตัดสายดินของระบบท่อกวามเย็น แล้วก่อนที่จะเติมน้ำยาแอร์เข้าระบบ
  - ปิดจ่ายระบบให้เรียบร้อยเมื่อเติมน้ำยาเสร็จแล้ว (หากยังไม่ดี)
  - ควรระมัดระวังอย่างที่สุดเพื่อไม่ให้เติมน้ำยา แอร์เข้าสู่ระบบท่อกวามเย็นมากเกินไป
- ก่อนเติมน้ำยาแอร์เข้าสู่ระบบ ควรตรวจสอบ ความดันโดยใช้ OFN
- เมื่อเติมน้ำยาแอร์เสร็จเรียบร้อยแล้ว ควรทดสอบ การรั่วไหลของระบบก่อนที่จะใช้งาน
- ควรตรวจสอบการรั่วไหลซ้ำอีกครั้งก่อนที่จะออกจากสถานที่ติดตั้ง

## 10. การยกเลิกรูปแบบ

- ก่อนดำเนินการตามข้อปฏิบัติ สิ่งสำคัญอย่างหนึ่งคือช่างจะต้องรู้จักอุปกรณ์และรายละเอียดของอุปกรณ์นั้นอย่างละเอียด
  - สิ่งที่ต้องปฏิบัติก็คือการถ่ายน้ำยาแอร์ออกมาทั้งหมดอย่างปลอดภัย
  - ก่อนดำเนินการดังกล่าว ควรนำตัวอย่างน้ำยาแอร์และน้ำมันไปทำการวิเคราะห์ก่อนที่จะนำน้ำยาแอร์ที่สุญญากาศกลับใช้ซ้ำ
  - สิ่งสำคัญคือต้องมีไฟฟ้าที่สามารถใช้งานได้ก่อนเริ่มดำเนินการ
- ก) ต้องรู้จักอุปกรณ์และการทำงานของอุปกรณ์นั้น
- ข) คุ้นเคยกับระบบที่มีไฟฟ้า
- ค) ก่อนทำตามข้อปฏิบัติ ควรแน่ใจว่า:
- มีอุปกรณ์ที่ใช้จัดการกับต่างๆ ของระบบยกถ่ายน้ำยาแอร์อยู่ หากจำเป็นต้องใช้
  - ควรจัดหาอุปกรณ์ป้องกันภัยส่วนบุคคลทั้งหมด และตรวจสอบใส่อุปกรณ์ดังกล่าวอย่างถูกต้อง
  - กระบวนการสุญญากาศน้ำยาแอร์ออกมาจะต้องมีช่างผู้เชี่ยวชาญควบคุมดูแลตลอดเวลา
  - อุปกรณ์และระบบยกถ่ายน้ำยาแอร์ออกมามีจะต้องได้มาตรฐานที่กำหนด
- ง) ทำการดูดเก็บน้ำยา หากทำได้
- จ) หากไม่มีสุญญากาศ ควรใช้ท่อรวมเพื่อให้ดึงน้ำยาแอร์ออกจากส่วนต่างๆ ของระบบได้
- ฉ) ควรแน่ใจว่าตั้งระบบยกถ่ายน้ำยาแอร์ก่อนทำการสุญญากาศ
- ช) สแตร์เครื่องสุญญากาศปฏิบัติตามข้อแนะนำของคู่มือ
- ซ) ห้ามให้ระบบยกถ่ายยอนสัน (ไม่เกิน 80% ของปริมาณน้ำยาแอร์ที่เป็นของเหลว)
- ด) ห้ามให้ระบบยกถ่ายยอนสันเกินขีดจำกัดมากเกินไป แม้จะเกิดเพียงชั่วครู่ก็ตาม
- ณ) เมื่อระบบยกถ่ายยอนสันตามกำหนดและเสร็จสิ้นกระบวนการแล้ว ควรแน่ใจว่าได้ถอดระบบยกถ่ายน้ำยาแอร์ออกจากพื้นที่ทำงาน และปิดวาล์วแยกต่างๆ ที่อยู่บนอุปกรณ์แล้ว
- ญ) ไม่ควรนำน้ำยาแอร์ที่สุญญากาศออกมาไปเติมในระบบทำความเย็นอื่น เว้นแต่ได้ล้างทำความสะอาดและตรวจสอบระบบดังกล่าวเรียบร้อยแล้ว

## 11. การปิดป้าย

- ควรปิดป้ายที่เครื่องเพื่อป้องกันมีการยกถ่ายน้ำยาแอร์ และไม่มีน้ำยาแอร์เหลืออยู่
- ควรระบุวันที่และลงชื่อกำกับไว้บนป้าย
- ควรแน่ใจว่าป้ายที่ติดอยู่บนเครื่องระบุว่าเครื่องบรรจุน้ำยาแอร์ที่มีความไวไฟ

## 12. การซ่อมแซม

- เมื่อถ่ายน้ำยาแอร์ออกจากระบบ ไม่ว่าจะเพื่อซ่อมบำรุงหรือเพื่อยกเลิกการใช้งานระบบก็ตาม สิ่งที่ต้องปฏิบัติก็คือควรยกถ่ายน้ำยาแอร์ทั้งหมดออกอย่างปลอดภัย
- เมื่อถ่ายน้ำยาแอร์ไปยังกระบอกสูบ ควรแน่ใจว่าได้ใช้เฉพาะกระบอกสุญญากาศน้ำยาแอร์ที่เหมาะสมเท่านั้น
- ควรแน่ใจว่าจำนวนของกระบอกสูบที่เหมาะสมสำหรับระบบที่เติมน้ำยาแอร์ทั้งหมดมีเพียงพอ
- ควรกำหนดกระบอกสุญญากาศที่ใช้สุญญากาศน้ำยาแอร์ที่ออกมา และปิดป้ายบ่งชี้ไว้ (ตัวอย่างเช่น กระบอกสุญญากาศสำหรับสุญญากาศน้ำยาแอร์ออกจากระบบ)
- กระบอกสูบควรติดตั้งวาล์วลดความดัน และทำงานสัมพันธ์กับวาล์วเปิดในลำดับการทำงานที่ถูกต้อง
- ควรล้างทำความสะอาดกระบอกสูบสำหรับสุญญากาศน้ำยาแอร์ออกจากระบบซึ่งไม่มีน้ำยาแอร์อยู่ หากทำได้ และทำให้กระบอกสุญญากาศยอนสันลงก่อนจะเริ่มการสุญญากาศน้ำยาแอร์ออกจากระบบ
- อุปกรณ์ที่ใช้ในการสุญญากาศน้ำยาแอร์ออกจากระบบ ควรจัดวางในลำดับการทำงานที่ถูกต้อง โดยมีเอกสารแสดงขั้นตอนการทำงานของอุปกรณ์นั้นอยู่ใกล้มือ และอุปกรณ์ที่ใช้ในการสุญญากาศน้ำยาแอร์ออกจากระบบควรมีความเหมาะสมต่อการสุญญากาศน้ำยาแอร์ที่มีความไวไฟออกจากระบบ
- นอกจากนี้ ควรมีเครื่องชั่งน้ำหนักที่ผ่านการสอบเทียบแล้วและจัดวางในลำดับการทำงานที่ถูกต้อง
- ท่อต่างๆ ควรบีบต่อที่บีบเรียบร้อยและอยู่ในสภาพดี

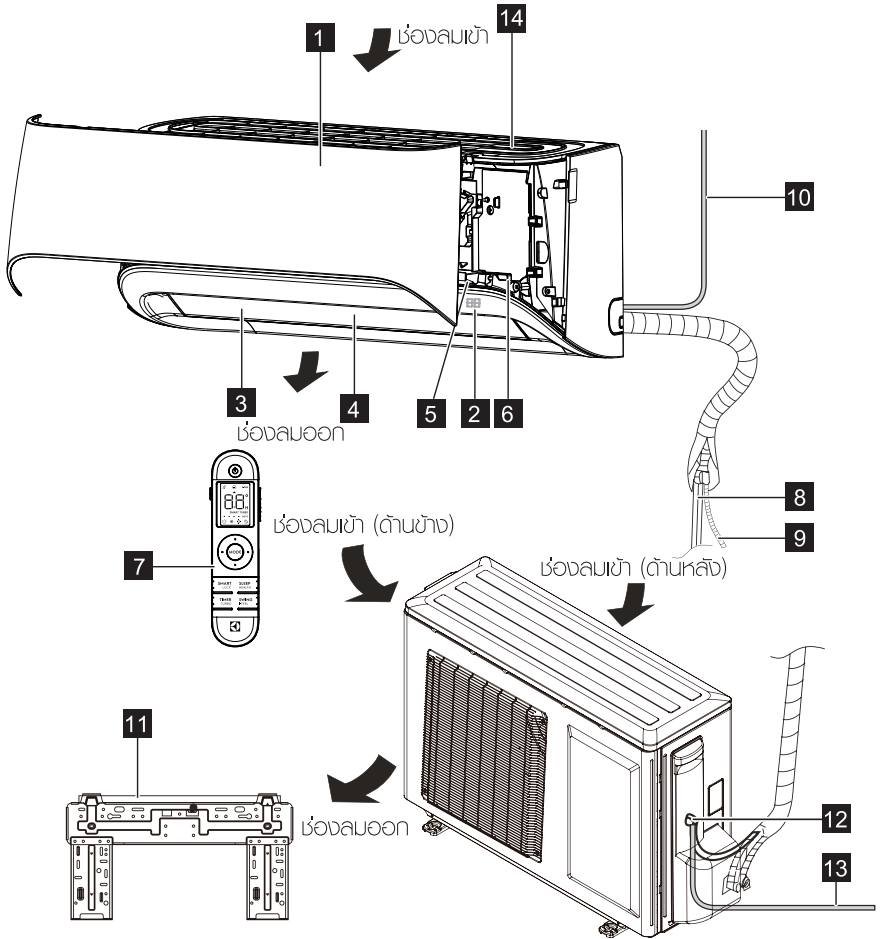
- ก่อนใช้เครื่องสูบน้ำ ควรตรวจสอบว่าเครื่องสูบน้ำอยู่ในลำดับการทำงานที่ถูกต้อง และการดูแลรักษาเครื่องสูบน้ำให้อยู่ในสภาพดี พร้อมทั้งตรวจสอบว่าได้ปิดพนักชิ้นส่วนทางไฟฟ้าที่เกี่ยวข้องแล้วเพื่อป้องกันในกรณีที่มีการปล่อยน้ำยาแอร์หากมีข้อสงสัย ควรปรึกษาผู้ผลิต
- ควรคืนน้ำยาแอร์ที่สูบน้ำออกมาจากระบบให้แก่ผู้จัดจำหน่ายน้ำยาแอร์ โดยบรรจุไว้ในกระบอกสูบน้ำยาแอร์ที่นำออกมาจากระบบ แลควรจัดทำเอกสารแสดงการขนถ่ายของเสียตามที่กำหนดไว้
- ห้ามนำน้ำยาแอร์ไปผสมในเครื่องสูบน้ำ โดยเฉพาะในกระบอกสูบ
- หากคอมเพรสเซอร์หรือน้ำมันคอมเพรสเซอร์ไหลออกมา ควรแน่ใจว่าได้ทำความสะอาดคอมเพรสเซอร์หรือน้ำมันคอมเพรสเซอร์ดังกล่าวจนอยู่ในระดับที่ยอมรับได้แล้ว ทั้งนี้เพื่อให้แน่ใจว่าน้ำยาแอร์ที่มีความไวไฟจะไม่คงค้างอยู่ในน้ำมันหล่อลื่นนั้น
- กระบวนการทำความสะอาดควรดำเนินการก่อนที่จะคืนคอมเพรสเซอร์ไปยังผู้จัดจำหน่าย
- ควรทำความร้อนตัวเครื่องของคอมเพรสเซอร์ด้วยไฟฟ้าเท่านั้นเพื่อเร่งกระบวนการนี้
- เมื่อบรรณาน้ำมันออกมาจากระบบ ควรดำเนินการด้วยความปลอดภัย



## 2. รายละเอียดผลิตภัณฑ์



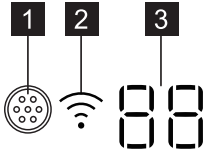
รูปภาพทั้งหมดในคู่มือเล่มนี้มีไว้เพื่อการอธิบายเท่านั้น รูปร่างจริงของตัวเครื่องภายในที่กำกับชื่อ อาจมีความแตกต่างเล็กน้อยที่แผงด้านหน้าและหน้าข้างส่วนแสดงผล ให้ยึดรูปร่างจริงเป็นหลัก



- 1 แผงด้านหน้า
- 2 ส่วนแสดงผลดิจิทัล
- 3 ปานกดรีเซ็ตทางลมแวนอน
- 4 ปานกดรีเซ็ตทางลมแวนวดัง (ด้านใน)
- 5 ปุ่มควบคุมแบบแมนนวล
- 6 เครื่องฟอกอากาศระบบไอออน (ถ้ามี)
- 7 รีโมทคอนโทรล

- 8 ท่อสารทำความเย็น
- 9 ท่อระบายน้ำทิ้ง
- 10 สายไฟ (บางรุ่น)
- 11 ฐานติดตั้ง
- 12 สายไฟ
- 13 สายไฟ (บางรุ่น)
- 14 กรองฟลู

### 3. ส่วนแสดงผลของตัวเครื่องภายใน



- 1 ไฟแสดงสถานะการเชื่อมต่อเบร็รไลสาย
  - สว่างขึ้นเมื่อใช้งานฟังก์ชันเบร็รไลสาย
- 2 ไฟแสดงสถานะอุณหภูมิ
  - แสดงค่าที่ตั้งไว้หรืออุณหภูมิห้องในขณะที่เครื่องปรับอากาศพร้อมใช้งาน
  - แสดงรหัสความผิดปกติเมื่อเกิดข้อบกพร่อง
  - แสดงรหัสฟังก์ชันเมื่อใช้งานฟังก์ชันบางอย่าง

**\*\*รหัสฟังก์ชันในส่วนแสดงผลของตัวเครื่องภายใน**

“SC” แสดงขึ้นเมื่อตัวเครื่องอยู่ในโหมด X-Fan  
 “CL” แสดงขึ้นเมื่อตัวเครื่องอยู่ในโหมด I-Clean

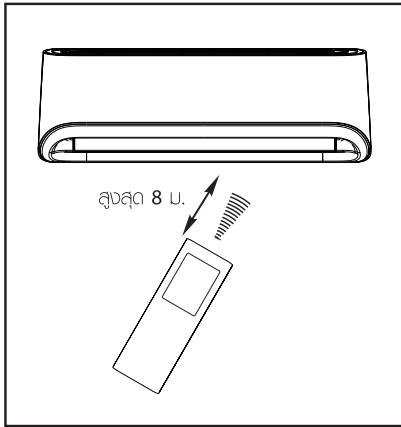
### 4. รีโมทคอนโทรล

#### 4.1 วิธีการใช้งานรีโมทคอนโทรล

1. เก็บรีโมทคอนโทรลไว้ในบริเวณที่สัญญาณรีโมทคอนโทรลสามารถส่งถึงตัวรับสัญญาณของตัวเครื่องภายใน
2. ขณะใช้งานเครื่องปรับอากาศ ให้ตรวจสอบว่ารีโมทคอนโทรลชี้ไปทางตัวรับสัญญาณของตัวเครื่องภายใน
3. ขณะรีโมทคอนโทรลส่งสัญญาณ สัญญาณ “@” จะพรึบในส่วนแสดงผลของรีโมทคอนโทรล
4. ตัวเครื่องภายในจะตอบรับสัญญาณด้วยเสียงบี๊บเมื่อเครื่องได้รับสัญญาณจากรีโมทคอนโทรล
5. โปรดกดปุ่มบนรีโมทคอนโทรลและส่งสัญญาณใหม่อีกครั้งหากทำไม่ได้ยินเสียงบี๊บจากตัวเครื่องภายใน

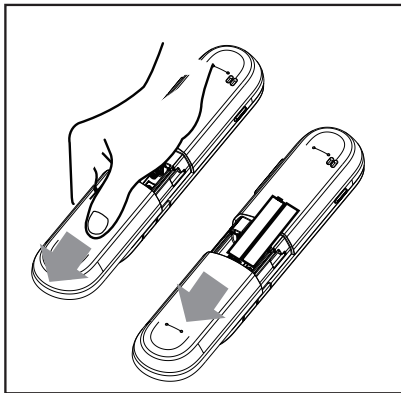
- i** • เครื่องปรับอากาศจะไม่ทำงาน หากบ้านประตู หรือหน้าต่างอื่นๆ กีดขวางสัญญาณจากรีโมทคอนโทรลถึงตัวเครื่องภายใน
- ป้องกันไม่ให้ของเหลวเข้าไปในรีโมทคอนโทรล ห้ามให้รีโมทคอนโทรลสัมผัสกับแสงแดดโดยตรงหรือความร้อน
- หากตัวรับสัญญาณอินฟราเรดที่ตัวเครื่องภายในสัมผัสกับแสงแดดโดยตรง เครื่องปรับอากาศอาจทำงานไม่ถูกต้อง ให้ใช้น้ำแข็งตัวรับสัญญาณไม่ให้สัมผัสกับแสงแดด
- หากเครื่องใช้ไฟฟ้าอื่นๆ ตอบสนองกับรีโมทคอนโทรล ให้ย้ายเครื่องใช้ไฟฟ้าเหล่านี้หรือรีเซ็ตตัวแทนจำหน่ายใกล้บ้านท่าน

## 4.2 ตำแหน่งของรีโมทคอนโทรล



- เก็บรีโมทคอนโทรลไว้ในบริเวณที่สัญญาณรีโมทคอนโทรลสามารถส่งถึงตัวรับสัญญาณของตัวเครื่องภายใน (เช่น ระยะห่างได้สูงสุด 8 ม.)
- ขณะรีโมทคอนโทรลส่งสัญญาณ สัญญาณ “▲” จะปรับบนหน้าจอแสดงผล ตัวเครื่องภายในจะตอบรับสัญญาณด้วยเสียงบี๊บเมื่อเครื่องได้รับสัญญาณที่ใช้งานได้

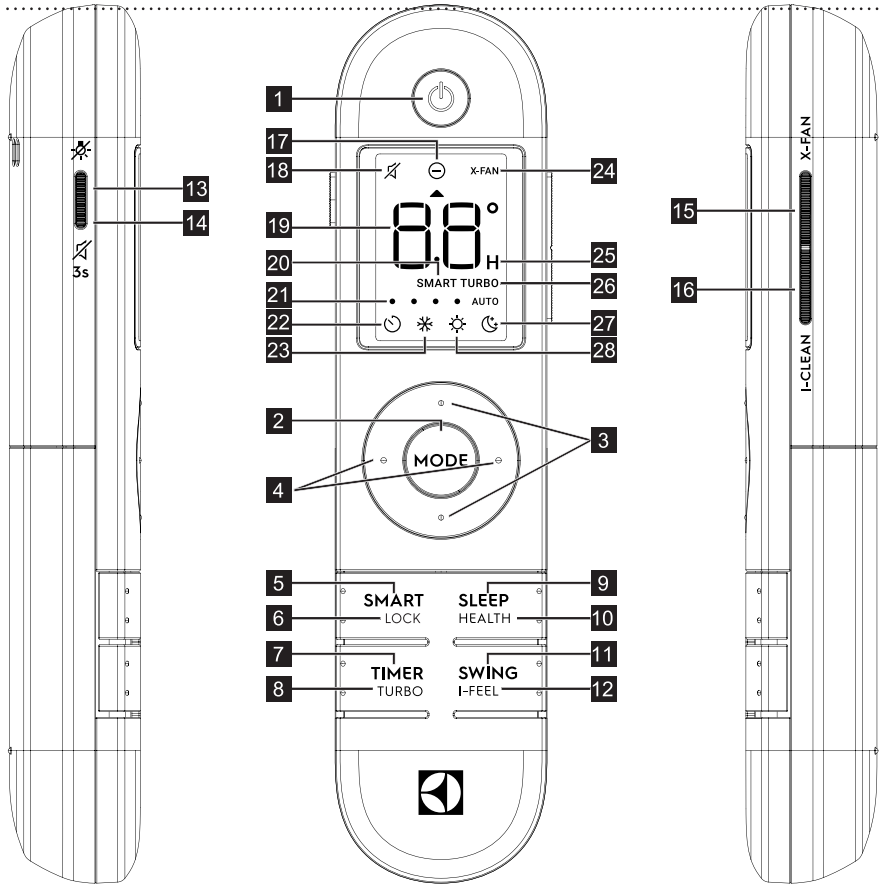
## 4.3 ตำแหน่งของรีโมทคอนโทรล



- ถอดฟาด้านหลังออกจากรีโมทคอนโทรล จากนั้นให้ใส่แบตเตอรี่แห้งอัลคาไลน์ใหม่จำนวน 2 ก้อน (ถ่าน AAA 1.5 โวลต์ 2 ก้อน) ตรวจสอบว่าใส่ขั้ว (+) หรือ (-) อย่างถูกต้อง
- เชื่อมฟาด้านหลังแบตเตอรี่กลับเข้าที่

- i**
- เมื่อต้องการเปลี่ยนแบตเตอรี่ อย่าใช้แบตเตอรี่ที่เก่าหรือแตกต่างกัน มิฉะนั้นอาจทำให้เกิดปัญหากับรีโมทคอนโทรลได้
  - หากไม่ได้ใช้รีโมทคอนโทรลเป็นเวลานาน ให้ถอดแบตเตอรี่ออก เนื่องจากแบตเตอรี่อาจมีการรั่วซึมหรือเกิดการกัดกร่อนและทำให้รีโมทคอนโทรลเสียหายได้
  - อายุการใช้งานแบตเตอรี่ขณะใช้งานปกติคือประมาณ 6 เดือน
  - หากรีโมทคอนโทรลทำงานผิดปกติ โปรดถอดแบตเตอรี่ใส่เข้าไปใหม่ หากยังคงทำงานผิดปกติอยู่ ให้เปลี่ยนแบตเตอรี่ใหม่

## 5. คำอธิบายเกี่ยวกับรีโมทคอนโทรล

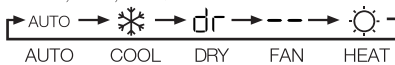


### 1. ปุ่มเปิด/ปิด

กดปุ่มนี้เพื่อเปิดหรือปิดเครื่องปรับอากาศ

### 2. ปุ่ม MODE

กดปุ่มนี้เพื่อตั้งค่าโหมดการทำงาน ซึ่งได้แก่ AUTO, COOL, DRY, FAN และ HEAT ค่าเริ่มต้น: AUTO



- สำหรับรุ่นที่ไม่มีเฉพาะระบบทำความเย็น จะไม่มีโหมด HEAT
- โหมด AUTO ฟู้อิใช้ยังสามารถตั้งค่าอุณหภูมิที่ต้องการได้

### 3. ปุ่มบน/ล่าง

กดปุ่มนี้เพื่อเพิ่ม/ลดอุณหภูมิ กดปุ่มค้างไว้ 1 วินาทีเพื่อเร่งการทำงาน

### 4. ปุ่มซ้าย/ขวา

กดปุ่มนี้เพื่อตั้งความเร็วพัดลม ซึ่งได้แก่ - AUTO I - Quiet “•” - LOW “••” - MID “•••” - HIGH “••••” - TURBO

ค่าเริ่มต้น: AUTO โหมด DRY จะไม่สามารถตั้งค่าความเร็วพัดลมได้ ความเร็วพัดลม โหมด Dry จะถูกกำหนดตายตัวอยู่ที่ความเร็วต่ำ

**5. ปุ่ม SMART**

เมื่อกดปุ่มนี้บนเครื่องทำงานอยู่แล้วไม่ได้หยุดใหม่ Smart จะเป็นการเปิดฟังก์ชัน Smart ไอคอน “SMART” จะปรากฏขึ้นบนหน้าจอ RC การเคลื่อนขึ้นและลงของบานเกล็ดจะถูกปิดระบบ Ionizer และ X-FAN จะทำงาน ความเร็วพัดลมจะถูกเลือกโดยอัตโนมัติ

**6. ปุ่ม LOCK**

กดปุ่มนี้ค้างไว้ 5 วินาที เพื่อให้สามารถเปิดใช้งานหรือปิดใช้งานฟังก์ชัน LOCK  
 คำเริ่มต้น: OFF

**7. ปุ่ม TIMER**

กดปุ่มนี้เพื่อตั้งค่า/ยกเลิกการตั้งเวลา ดูหัวข้อ “วิธีการใช้งานรีโมท” สำหรับคำอธิบายเกี่ยวกับฟังก์ชันการตั้งเวลาอย่างละเอียด

**8. ปุ่ม TURBO**

กดปุ่มนี้ค้างไว้ประมาณ 5 วินาที เพื่อใช้งานหรือยกเลิกการทำงานของฟังก์ชัน TURBO

**9. ปุ่ม SLEEP**

กดปุ่มนี้เพื่อเปิดหรือปิดฟังก์ชัน Sleep หากปิดใช้งานฟังก์ชัน Sleep สัญลักษณ์ Sleep “☺” จะแสดงขึ้น  
 คำเริ่มต้น: OFF

**10. ปุ่ม HEALTH**

กดปุ่มนี้ค้างไว้ประมาณ 5 วินาที เพื่อเปิดใช้งานหรือปิดการใช้งานฟังก์ชัน Health (ขึ้นอยู่กับรุ่น) หากปิดใช้งานฟังก์ชัน Health สัญลักษณ์ Health “☹” จะแสดงขึ้น คำเริ่มต้น: OFF

**11. ปุ่ม SWING**

กดปุ่มนี้เพื่อเปิดใช้งานหรือปิดการใช้งานฟังก์ชัน

**12. ปุ่ม I-FEEL**

กดปุ่มนี้ค้างไว้ 5 วินาที เพื่อเปิดใช้งาน/ปิดการใช้งานฟังก์ชัน I-FEEL คำเริ่มต้น: OFF

**13. ปุ่ม LIGHT**

กดปุ่มนี้เพื่อเปิดใช้งาน/ปิดการแสดงผลของจอแสดงผล LCD ของตัวเครื่องภายใน  
 คำเริ่มต้น: ON

**14. ปุ่ม MUTE**

กดปุ่มนี้ค้างไว้ 3 วินาที เพื่อปิด/เปิด เสียงเตือนจากตัวเครื่องภายในเมื่อส่งสัญญาณ



- ดูหัวข้อ “วิธีการใช้งานรีโมทคอนโทรล” สำหรับคำอธิบายเกี่ยวกับฟังก์ชันต่างๆ อย่างละเอียด

**15. ปุ่ม X-FAN**

กดปุ่มนี้เพื่อเปิดใช้งานหรือปิดการใช้งานฟังก์ชัน X-FAN คำเริ่มต้น: OFF

**16. ปุ่ม I-CLEAN**

กดปุ่มนี้เพื่อเปิดใช้งานหรือปิดการใช้งานฟังก์ชัน I-CLEAN

**17. การแสดงผลของ HEALTH**

แสดงเมื่อเปิดใช้งานฟังก์ชัน HEALTH

**18. การแสดงผลของ MUTE**

แสดงเมื่อห้ามปิดเสียงเตือนของตัวเครื่องภายใน

**19. การแสดงผลของ TEMP**

อุณหภูมิหรือการตั้งเวลาปรากฏในจอแสดงผล

**20. การแสดงผลของ SMART**

แสดงเมื่อเปิดใช้งานฟังก์ชัน SMART

**21. การแสดงผลของความเร็วพัดลม**

แสดงความเร็วพัดลมที่เลือก ประกอบด้วย AUTO - Quiet “●” - LOW “●●” - MID “●●●” - HIGH “●●●●” - TURBO

**22. การแสดงผลของ TIMER**

แสดงเมื่อเปิดใช้งานฟังก์ชัน TIMER

**23. การแสดงผลของ COOL**

แสดงเมื่อเลือกโหมด COOL

**24. การแสดงผลของ X-FAN**

แสดงเมื่อเปิดใช้งานฟังก์ชัน X-FAN

**25. การแสดงผลของรีโมท**

แสดงเมื่อตั้งค่าในฟังก์ชัน TIMER

**26. การแสดงผลของ TURBO**

แสดงเมื่อเลือกความเร็วพัดลมของโหมด TURBO

**27. การแสดงผลของ SLEEP**

แสดงเมื่อเปิดใช้งานฟังก์ชัน Sleep

**28. การแสดงผลของ HEAT**

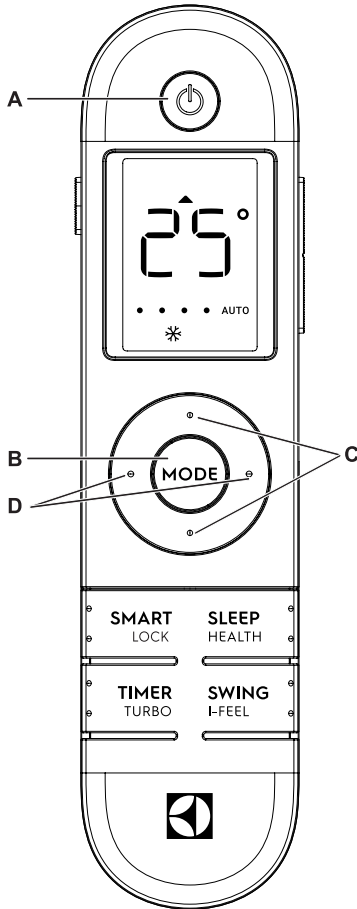
แสดงเมื่อเลือกโหมด HEAT

## 6. วิธีการใช้งานรีโมทคอนโทรล



ตรวจสอบว่าเสียบปลั๊กเครื่องปรับอากาศเรียบร้อยแล้วเสียบกระแสไฟฟ้า ไฟแสดงสถานะการทำงานบนส่วนแสดงผลของตัวเครื่องภายในจะสว่างขึ้น

### การใช้งานเบื้องต้น

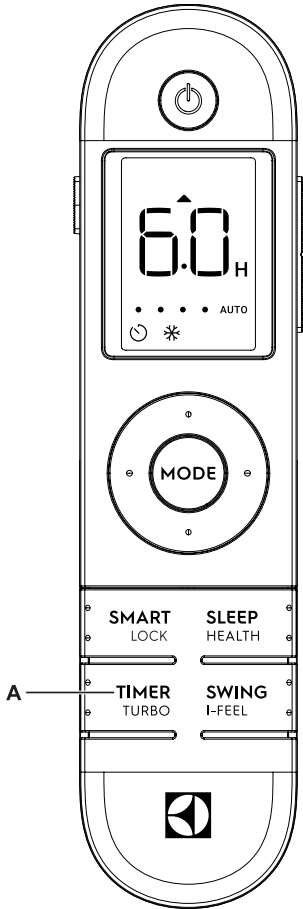


1. กดปุ่มเปิด/ปิด (A) เพื่อเริ่มการทำงานของเครื่องปรับอากาศ
2. กดปุ่ม MODE (B) เพื่อเลือกโหมด Auto, Cool, Dry, Fan หรือ Heat
3. กดปุ่มบน/ล่าง (C) เพื่อตั้งค่าอุณหภูมิที่ต้องการสามารถเพิ่ม/ลดอุณหภูมิได้ครั้งละ 1°C กดปุ่มค้างไว้ 1 วินาที เพื่อเร่งการทำงาน
4. กดปุ่มซ้าย/ขวา (D) เพื่อเลือกความเร็วพัดลม
5. กดปุ่ม SWING (E) เพื่อเปิดใช้งานฟังก์ชันสวิงขึ้น/ลงของบานเกล็ด
6. กดปุ่มเปิด/ปิด (A) เพื่อปิดเครื่องปรับอากาศ



- โหมด Auto เครื่องปรับอากาศจะสามารถเลือกโหมด Cool, Fan และ Heat ได้อย่างเหมาะสมโดยการตรวจจับความแตกต่างระหว่างอุณหภูมิจริงโดยรอบภายในห้องและอุณหภูมิที่ตั้งไว้บนรีโมทคอนโทรล
- โหมด Dry จะไม่สามารถเปลี่ยนความเร็วพัดลมได้
- โหมด Fan ท่านสามารถปรับอุณหภูมิที่ตั้งไว้ได้
- ปิดฟังก์ชันสวิงขึ้น/ลง บานเกล็ดจะหยุดอยู่ที่ตำแหน่งปัจจุบัน

## การใช้งานฟังก์ชัน Timer



เมื่อกดปุ่ม TIMER ขณะที่เครื่องปิดอยู่ จะสามารถตั้งเวลาที่ต้องการเปิดเครื่องได้  
 เมื่อกดปุ่ม TIMER ขณะที่เครื่องเปิดอยู่ จะสามารถตั้งเวลาที่ต้องการปิดเครื่องได้

## ตัวอย่างการตั้งค่าฟังก์ชัน Timer

1. กดปุ่ม TIMER หนึ่งครั้ง สัญลักษณ์ Timer “☺” และ “H” จะกะพริบบนจอแสดงผลนาน 5 วินาที
2. ในระหว่างนี้ ให้กดปุ่มขึ้นและลง เพื่อตั้งเวลาที่ต้องการเปิดหรือปิดเครื่อง
3. กดปุ่ม TIMER อีกครั้งภายใน 5 วินาที สัญลักษณ์ Timer “☺” และ “H” จะหยุดกะพริบ จากนั้นสัญลักษณ์ Timer จะติดสว่าง และฟังก์ชันนี้จะเปิดทำงาน ส่วนแสดงผลดิจิทัลบนรีโมทคอนโทรลของตัวท่านจะกลับสู่การแสดงผลอุณหภูมิตามปกติ
4. เมื่อตั้งเวลาเสร็จแล้ว ให้กดปุ่ม TIMER อีกครั้ง เวลาที่เหลือจะแสดงขึ้นบนหน้าจอของรีโมทคอนโทรลเป็นเวลา 3 วินาที หากกดปุ่มอีกครั้งภายใน 3 วินาที การตั้งเวลาจะถูกยกเลิก



- เมื่อตั้งค่าฟังก์ชัน Timer on หรือ Timer off เวลาจะเพิ่มขึ้นทุก 1 ชั่วโมง ในแต่ละครั้งที่ทำการกดฟังก์ชัน Timer จะเปลี่ยนกลับเป็นศูนย์หลังจากผ่านไป 24 ชั่วโมง

## การใช้งานฟังก์ชันขั้นสูง

### 1. ฟังก์ชัน I-Clean

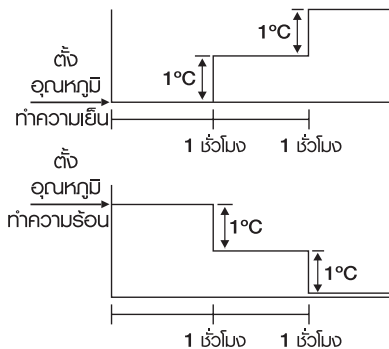
กดปุ่ม I-Clean เพื่อเปิดใช้งานฟังก์ชัน I-Clean “CI” จะแสดงขึ้นบนรีโมทคอนโทรล โดยกะพริบเป็นเวลา 3 วินาทีเครื่องปรับอากาศจะทำความสะอาดตัวเองโดยอัตโนมัติหลังจากที่ปิดตัวเครื่องภายใน แบคทีเรียในอากาศสามารถเติบโตได้ในความชื้นที่ค่อนข้างอบอุ่นๆ ชุดแลกเปลี่ยนความร้อนในตัวเครื่อง เมื่อใช้ฟังก์ชันนี้ เป็นประจำจะสามารถทำให้ความชื้นส่วนใหญ่นหายไปออกจากตัวเครื่องได้ ท่านสามารถใช้งานฟังก์ชัน ทำความสะอาดในตัวได้น้อยเท่าที่ต้องการ

### 2. ฟังก์ชัน Health (ตัวเลือก)

กดปุ่ม Health ค้างไว้ 5 วินาที เพื่อเปิดใช้งานหรือปิดการใช้งานฟังก์ชัน Health เมื่อฟังก์ชันนี้เริ่มทำงาน เครื่องกรองฟลูออไรด์ Ionizer/Plasma (ขึ้นอยู่กับรุ่น) จะได้รับการจ่ายไฟฟ้าลงช่วยฟอกอากาศ แนะนำให้ใช้ฟังก์ชันนี้เมื่อท่านภาพอากาศภายในห้องมีสภาพไม่ดี

### 3. ฟังก์ชัน Sleep

เมื่อกดปุ่ม Sleep ฟังก์ชันการทำงานแบบประหยัดพลังงานจะเปิดทำงาน อุณหภูมิที่ตั้งไว้จะเพิ่มขึ้น (ทำความเย็น) หรือลดลง (ทำความร้อน) ชั่วโมงละ 1°C (2°F) เป็นเวลา 2 ชั่วโมง อุณหภูมิสุดท้ายที่ตั้งไว้จะยังคงอยู่จนกว่าผู้ใช้งานทำการเปลี่ยนแปลงด้วยตัวเอง



ฟังก์ชัน SLEEP ไม่สามารถใช้งานได้โหมด AUTO, FAN หรือ DRY หรือฟังก์ชัน SMART

### 4. ฟังก์ชัน I-FEEL

เมื่อกดปุ่ม I Feel ค้างไว้ 5 วินาที ฟังก์ชัน I Feel จะทำงาน รีโมทคอนโทรลจะทำหน้าที่เป็นอุปกรณ์ควบคุมอุณหภูมิจากระยะใกล้เพื่อเป็นการควบคุมอุณหภูมิที่แม่นยำและความสะดวกสูงสุด รีโมทคอนโทรลจะส่งข้อมูลอุณหภูมิในแต่ละที่วางรีโมทคอนโทรลไปยังตัวเครื่องภายในทุก 2-3 นาที เครื่องปรับอากาศจะหยุดการทำงานของฟังก์ชัน I Feel หากไม่ได้รับข้อมูลอุณหภูมิจากรีโมทหลายนาทีติดต่อกัน

### 5. ฟังก์ชันไร้สาย

กดปุ่มเปิด/ปิดค้างไว้ 5 วินาที เครื่องจะเข้าสู่สถานะ: การเชื่อมต่อแบบไร้สาย



- โปรดอ้างอิงจาก “คู่มือการ เชื่อมต่อฉบับย่อ” สำหรับรายละเอียดเกี่ยวกับการเชื่อมต่อแบบไร้สาย

### 6. ฟังก์ชัน Lock

กดปุ่ม Lock ค้างไว้ 5 วินาที เพื่อล็อกหรือปลดล็อกการทำงานของรีโมทคอนโทรล

### 7. ฟังก์ชัน Smart

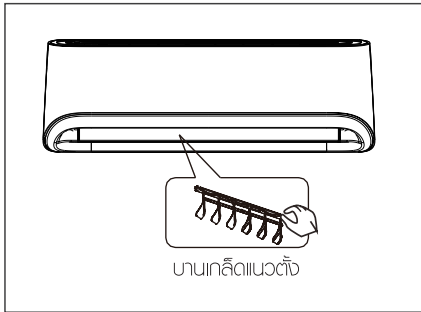
เมื่อกดปุ่ม Smart ขณะที่เครื่องทำงานอยู่ และไม่ได้อยู่โหมด Smart จะเป็นการเปิดฟังก์ชัน Smart เมื่อฟังก์ชันนี้เริ่มทำงาน การสวิทช์และลงของบานเกล็ดจะถูกปิด ระบบ Ionizer และ X-FAN จะทำงาน ความเร็วพัดลมจะถูกเลือกโดยอัตโนมัติ หากใช้งานฟังก์ชัน Smart ครั้งแรก เครื่องจะทำงานโดยใช้อุณหภูมิเริ่มต้นที่ตั้งค่ามาจากโรงงานซึ่งอยู่ที่ 24°C แต่หากไม่ใช้การตั้งค่าครั้งแรก เครื่องปรับอากาศจะใช้อุณหภูมิที่ตั้งใหม่แทนที่ค่าเริ่มต้น 24°C เมื่อกดปุ่มโหมดขณะใช้งานฟังก์ชัน Smart รีโมทคอนโทรลจะกลับไปที่โหมดก่อนหน้าที่จะใช้งานฟังก์ชัน Smart เมื่อกดปุ่มต่อไปนี้ รีโมทคอนโทรลจะออกจากฟังก์ชัน Smart และกลับสู่โหมด Auto พร้อมกับการปิดใช้งาน การเลือกความเร็วพัดลมอัตโนมัติ: ความเร็วพัดลม, HEALTH, X-FAN



## 8. พังก์เซ็น X-Fan

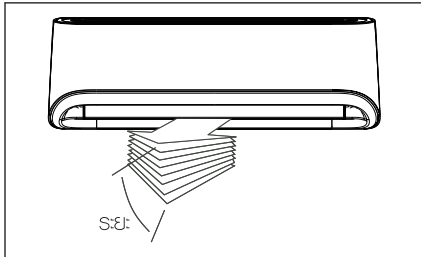
ใบโหมด Cool และ Dry ให้กดปุ่ม X-Fan (A) เพื่อเปิดใช้งานพังก์เซ็น X-Fan เมื่อใช้งานพังก์เซ็นนี้ครั้งแรก หลังจากปิดเครื่องแล้ว พัดลมของตัวเครื่องภายในจะยังคงทำงานต่ออีก 2 นาที เพื่อให้ตัวเครื่องภายในแห้ง เพื่อป้องกันการเจริญเติบโตของแบคทีเรียและเชื้อรา

## 7. วิธีการใช้งานตัวเครื่องภายใน

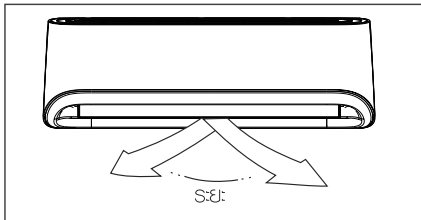


1. ปรับทิศทางลมให้เหมาะสม มีฉนวน อาจทำให้รู้สึกไม่สบายหรือทำให้อุณหภูมิภายในห้องไม่สม่ำเสมอ
2. ปรับบานเกล็ดแนวอนโดยใช้รีโมทคอนโทรล
3. ปรับบานเกล็ดแนวตั้งด้วยตัวเอง

การปรับทิศทางลมแนวตั้ง (ขึ้น - ลง)  
ใช้ฟังก์ชันนี้บนเครื่องปรับอากาศกำลังทำงาน โดยใช้รีโมทคอนโทรลในการปรับทิศทางลม บานเกล็ดแนวอนจะเคลื่อนขึ้นและลงโดยอัตโนมัติ



การปรับทิศทางลมแนวอน (ซ้าย - ขวา)  
ใช้ฟังก์ชันนี้บนเครื่องปรับอากาศกำลังทำงาน ใช้มือขยับบานเกล็ดแนวตั้ง เพื่อปรับทิศทางลมตามที่ท่านต้องการ



### สิ่งสำคัญ!

ห้ามเหยียดเข้าไปในแผงเครื่องเป่าลมและด้านดูดพัดลมความเร็วสูงด้านในอาจก่อให้เกิดอันตรายได้

- ไม่ควรปรับมุมการเปิดของบานเกล็ดแนวอนน้อยเกินไป เพราะประสิทธิภาพของการทำความเย็นหรือการทำความร้อนอาจลดลง เนื่องจากพื้นที่การไหลของลมมีจำกัดเกินไป
- ห้ามขยับบานเกล็ดแนวอนด้วยตัวเอง มีฉนวน บานเกล็ดแนวอนอาจทำงานไม่พร้อมกัน โปรดหยุดการทำงาน ถอดปลั๊กไฟสัปดาห์ จากนั้นเปิดเครื่องปรับอากาศใหม่อีกครั้ง
- ห้ามใช้เครื่องปรับอากาศโดยที่บานเกล็ดแนวอนอยู่ในตำแหน่งปิด



### คำเตือน!

- ห้ามใช้เครื่องปรับอากาศเป็นระยะเวลาสั้น โดยปรับทิศทางลมลงด้านล่างไม่หมด ทำความเย็นหรือโหมดจัดความเย็น มีฉนวน อาจเกิดการควบแน่นที่พื้นผิวของบานเกล็ดแนวอน แลทำให้มีน้ำหยดลงบนพื้นหรือของตกต่างบ้าน
- เมื่อเปิดเครื่องปรับอากาศทันทีหลังจากเพิ่งปิดเครื่อง บานเกล็ดแนวอนอาจไม่เคลื่อนไหวเป็นเวลาประมาณ 10 วินาที บานเกล็ดอยู่ในตำแหน่งปิด

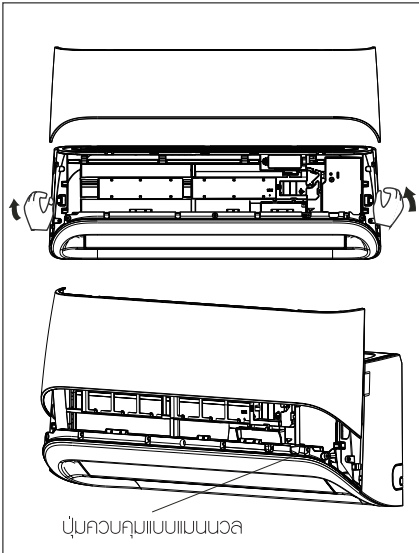
## 8. อุณหภูมิการทำงาน

ช่วงอุณหภูมิการทำงาน		
ประเภทสภาพอากาศ ที่เหมาะสมกับรุ่น	อุณหภูมิโดยรอบ (ระบบทำความเย็น)	อุณหภูมิโดยรอบ (ระบบทำความร้อน)
T1	18°C~43°C	-7°C~24°C

### สิ่งสำคัญ!

1. เครื่องปรับอากาศจะทำงานได้อย่างมีประสิทธิภาพสูงสุดเมื่อใช้งานในช่วงอุณหภูมิการทำงานนี้ หากใช้เครื่องปรับอากาศนอกเหนือไปข้างต้น คุณสมบัตินี้จะป้องกันความปลอดภัยบางอย่าง อาจทำงานและส่งผลให้เครื่องทำงานผิดปกติได้
2. หากเครื่องปรับอากาศทำงานเป็นเวลานานในโหมดทำความเย็นและมีความชื้นสูง น้ำที่ควบแน่นอาจหยดออกจากเครื่อง โปรดปรับบานเกล็ดปรับทิศทางลมแนวตั้งไปที่มุมสูงสุด (ตั้งฉากกับพื้น) และตั้งโหมดพัดลมที่ระดับ HIGH

## 9. การใช้งานในกรณีฉุกเฉิน



เครื่องปรับอากาศมาพร้อมกับสวิตช์สำหรับเรียกใช้โหมดการใช้งานในกรณีฉุกเฉิน ซึ่งสามารถใช้งานได้โดยการเปิดแผงด้านหน้า สวิตช์นี้มีไว้สำหรับการใช้งานแบบแมนนวลในกรณีที่รีโมทคอนโทรลใช้งานไม่ได้หรือมีความจำเป็นต้องซ่อมบำรุง

1. เปิดแผงด้านหน้าและยกขึ้นให้อยู่ในมุมที่แผงด้านหน้าจะยึดอยู่กับที่พร้อมกับเสียงคลิก
2. เมื่อกดสวิตช์ควบคุมแบบแมนนวล 1 ครั้ง เครื่องจะบังคับทำงานในโหมด AUTO หากกดสวิตช์ 2 ครั้งภายในเวลา 5 วินาที เครื่องจะถูกบังคับให้ทำงานในโหมดทำความเย็น
3. ปิดแผงด้านหน้ากลับเข้าที่เดิมให้แน่นหนา
  - ต้องปิดเครื่องปรับอากาศก่อนใช้งานปุ่มควบคุมแบบแมนนวล หากเครื่องสามารถใช้งานได้ ให้กดปุ่มควบคุมแบบแมนนวลต่อไปจนกระทั่งเครื่องดับ
  - สวิตช์นี้มีวัตถุประสงค์เพื่อใช้ในการทดสอบเท่านั้น ไม่ควรเลือกใช้
  - หากต้องการกลับไปที่ใช้งานรีโมทคอนโทรล ให้ใช้รีโมทคอนโทรลโดยตรง

## 10. การทำความสะอาดและการบำรุงรักษา

### 10.1 ก่อนการบำรุงรักษา

โปรดปิดเครื่องก่อนทำความสะอาด ใช้ผ้าที่นุ่มและแห้ง เช็ดทำความสะอาด ห้ามใช้สารฟอกขาวหรือสารที่มีฤทธิ์กัดกร่อน



#### คำเตือน!

ต้องปิดสวิตช์แหล่งจ่ายไฟก่อนทำความสะอาดตัวเครื่องภายใน



- สามารถใช้ฟ้าน้ำเย็นฉีดทำความสะอาดได้ หากตัวเครื่องภายในสกปรกมาก จากนั้นให้ใช้ผ้าแห้งเช็ด
- ห้ามใช้ผ้าที่ฟั่นเสียดหรือฟ้ามัดทำความสะอาดเครื่อง
- ห้ามใช้น้ำมันเบนซิน กีนเนอร์ พวยขัดเงา หรือตัวทำละลายที่คล้ายคลึงกันใน การทำความสะอาด สารเหล่านี้ อาจทำให้พื้นผิวที่เป็นพลาสติกเกิดรอยร้าวหรือเสียหายได้
- ห้ามใช้น้ำที่ร้อนกว่า 40°C/104°F ในการทำความสะอาดแผงด้านหน้า เพราะอาจทำให้เกิดการเสียหายและเปลี่ยนสี

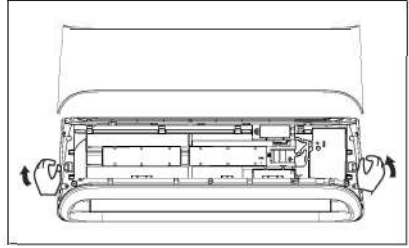
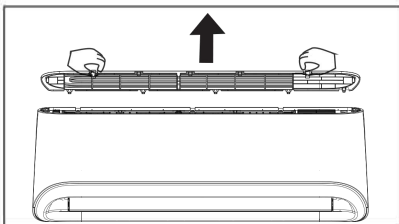
### 10.2 การทำความสะอาดเครื่อง

ใช้ผ้าที่นุ่มและแห้งเช็ดเครื่องเท่านั้น หากเครื่องสกปรกมาก ให้ใช้ฟ้าน้ำอุ่นเช็ด

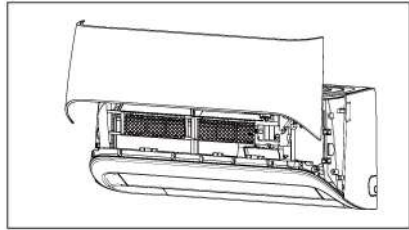
### 10.3 การทำความสะอาดแผงกรอง

แผงกรองอากาศที่อุดตันจะลดประสิทธิภาพ ในการทำความเย็นของเครื่องปรับอากาศ โปรดทำความสะอาดแผงกรองทุกๆ 2 สัปดาห์

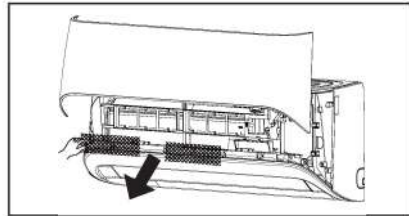
1. แผงกรองจะอยู่ที่ตำแหน่งด้านบนของตัวเครื่องภายใน
2. กดตัวล็อกที่ช่วยยกแผงกรองขึ้นออกจากตัวเครื่องภายใน



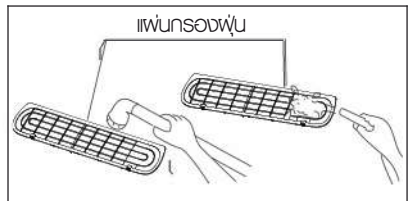
3. จับร่อนนิ้วที่แผงด้านหน้าแล้วกดหน้าทากออก
4. แผงกรองอากาศบริสุทธิ์เพื่อคุณภาพ (ถ้ามี) จะถูกตัดเชื่อมต่อจุ่มเฟรม



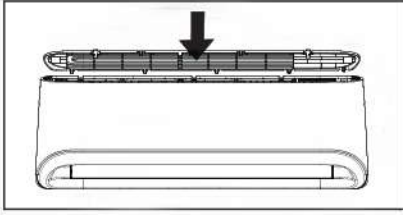
- นำไส้กรองอากาศบริสุทธิ์ออกจากเฟรม



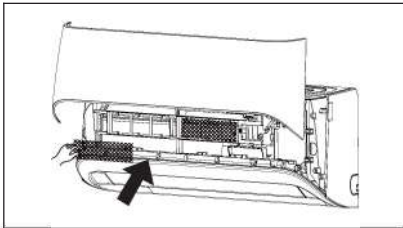
- ควรเปลี่ยนไส้กรองอากาศบริสุทธิ์ทุกๆ 6 เดือน
- ทำความสะอาดด้วยเครื่องดูดฝุ่น ถ้าทำได้ ทำความสะอาดแผงกรองฟุ่นด้วยเครื่องดูดฝุ่นหรือน้ำ จากนั้นปล่อยให้แห้งที่เย็น



5. ตัดตั้งแผ่นกรองฟุนกลับเข้าที่ตามตำแหน่งเดิม



6. นำแผ่นกรองอากาศบริสุทธิ์ตัดตั้งกลับตำแหน่งเดิม ตรงด้านหน้า จากนั้นตรวจสอบหน้าทากแอร์ ว่าอบสนิททั้งด้านซ้ายหรือขวาหรือไม่



## 10.4 การทำความสะอาดช่องลมออก และไฟฟว

1. ใช้ผ้าที่แห้งและนุ่มเช็ดทำความสะอาด
2. สามารถใช้น้ำยาหรือน้ำยทำความสะอาดอ่อนๆ ได้หากสกปรกมาก



### คำเตือน!

- ห้ามใช้น้ำมีเบสเช่น คีนเนอร์ พงชัตงา หรือตัวทำลายที่คล้ายคลึงกัน ในการทำความสะอาด สารเหล่านี้อาจทำให้พื้นผิวเกิดรอยร้าวหรือเสียหายได้
- เพื่อป้องกันความเสี่ยงในการถูกไฟฟ้าช็อตหรือเกิดเพลิงไหม้ ห้ามปล่อยให้น้ำไหลเข้าไปในตัวเครื่องภายใน
- ห้ามเข็ดบานเกล็ดปรับทิศทางลมแรงๆ
- เครื่องปรับอากาศที่ไม่มีแผ่นกรองอากาศจะไม่สามารถกำจัดฝุ่นออกจากห้องได้ซึ่งจะทำให้เกิดการทํางานผิดพลาด เนื่องจากการสะสมของฝุ่น

## 10.5 การเปลี่ยนแผ่นกรอง

1. ถอดแผ่นกรองอากาศ
2. ถอดแผ่นกรองปรับอากาศ

3. ตัดตั้งแผ่นกรองปรับอากาศอันใหม่
4. ตัดตั้งแผ่นกรองอากาศกลับเข้าที่และปิดแผงด้านหน้าให้แน่นหนา

## 10.6 การเตรียมการเมื่อจะไม่มี การใช้งานเป็นเวลานาน

หากท่านมีแผนที่จะไม่ใช้งานเครื่องปรับอากาศเป็นระยะเวลานาน ให้ปฏิบัติตามขั้นตอนต่อไปนี้

1. ทำความสะอาดตัวเครื่องภายในและแผ่นกรอง
2. ปิดพัดลมประมาณครึ่งวันเพื่อกำจัดความชื้นภายในตัวเครื่องภายใน
3. ปิดเครื่องปรับอากาศและปิดสวิตซ์ไฟ
4. ถอดแบตเตอรี่ออกจากรีโมทคอนโทรล ส่วนคอนเพรสเซอร์นั้นต้องบำรุงรักษาและทำความสะอาดเป็นระยะ ห้ามพยายามทำด้วยตัวเอง ให้ติดต่อตัวแทนจำหน่ายหรือผู้ให้บริการของท่าน

## 10.7 การตรวจสอบก่อนเปลี่ยนฤดูกาล

1. ตรวจสอบว่าระบบสายไฟไม่ขาดหรือไม่แยกออกจากกัน
2. ทำความสะอาดตัวเครื่องภายในและแผ่นกรอง
3. ตรวจสอบว่าตัดตั้งแผ่นกรองอากาศแล้ว
4. ตรวจสอบว่าช่องลมออกหรือช่องลมเข้ามีการอุดตันหรือไม่หลังจากไม่ใช้เครื่องปรับอากาศเป็นเวลานาน



### คำเตือน!

- ห้ามสัมผัสชิ้นส่วนเครื่องปรับอากาศที่เป็นโลหะบนถาดแผ่นกรอง เพราะอาจเกิดการบาดเจ็บขณะจับขอบโลหะที่แหลมคม
- ห้ามใช้น้ำทำความสะอาดภายในเครื่องปรับอากาศ การสัมผัสกับน้ำอาจทำให้ฉนวนไฟฟ้าเสียหายได้ ซึ่งอาจทำให้ถูกไฟฟ้าช็อต
- ขณะทำความสะอาดเครื่อง ล้างดีเบรกให้ตรวจสอบว่าปิดสวิตซ์ไฟและสับเบรกเกอร์แล้ว
- ห้ามล้างแผ่นกรองอากาศด้วยน้ำร้อนที่มีอุณหภูมิสูงกว่า 40°C/104°F สมบัติความชื้นอาจให้หมดและทิ้งไว้ให้แห้งในที่ร่ม ห้ามวางตากแดดโดยตรง แผ่นกรองอากาศอาจหดตัวได้

## 11. ข้อแนะนำในการใช้งาน

เหตุการณ์ต่อไปนี้อาจเกิดขึ้นระหว่างการใช้งานตามปกติ

### 1. ระบบป้องกันของคอมเพรสเซอร์ เครื่องปรับอากาศ

- คอมเพรสเซอร์ไม่สามารถเริ่มทำงานใหม่ได้ ประมาณ 3-4 นาที หลังจากหยุดทำงาน
- ### 2. ระบบป้องกันลมเย็น (รุ่นที่มีระบบทำความเย็น และระบบทำความร้อนเท่านั้น)
- เครื่องปรับอากาศถูกออกแบบให้ไม่เป่าลมเย็นในโหมด HEAT เมื่อเครื่องเลิกเปลี่ยนความร้อนภายในบ้านอยู่ในสถานการณ์อย่างใดอย่างหนึ่งใด 3 สถานการณ์ต่อไปนี้ แต่ไม่ถึงอุณหภูมิที่ตั้งไว้
    - A) เมื่อเพิ่งเริ่มทำการทำความร้อน
    - B) การละลายน้ำแข็ง
    - C) การทำความร้อนที่อุณหภูมิต่ำ
  - พัดลมของตัวเครื่องภายในและพัดลมคอมเพรสเซอร์หยุดทำงานขณะละลายน้ำแข็ง (รุ่นที่มีระบบทำความเย็นและระบบทำความร้อนเท่านั้น)

### 3. การละลายน้ำแข็ง (รุ่นที่มีระบบทำความเย็นและระบบทำความร้อนเท่านั้น)

- น้ำแข็งอาจเกิดขึ้นที่คอมเพรสเซอร์ระหว่างการทำความร้อนเมื่ออุณหภูมิภายนอกต่ำ และมีความชื้นสูงส่งผลให้ประสิทธิภาพในการทำความร้อนของเครื่องปรับอากาศลดลง
- ในกรณีนี้ เครื่องปรับอากาศจะหยุดการทำงานของระบบทำความร้อนและเริ่มการละลายน้ำแข็งโดยอัตโนมัติ
- เวลาที่ใช้ในการละลายน้ำแข็งแตกต่างกันตั้งแต่ 4 ถึง 10 นาที ขึ้นอยู่กับอุณหภูมิภายนอกและปริมาณน้ำแข็งที่เกาะอยู่บนคอมเพรสเซอร์

### 4. มีหมอกสีขาวออกมาจากตัวเครื่องภายใน

- หมอกสีขาวอาจเกิดขึ้นเนื่องจากอุณหภูมิของช่องลมเข้าและช่องลมออกที่แตกต่างกันอย่างมากในโหมด COOL ภายในห้องที่มีความชื้นสัมพัทธ์สูง
- หมอกสีขาวอาจเกิดขึ้นเนื่องจากความชื้นจากขั้นตอนการละลายน้ำแข็งเมื่อเครื่องปรับอากาศเริ่มทำงานใหม่ในโหมด HEAT หลังจากละลายน้ำแข็งเสร็จแล้ว

### 5. เครื่องปรับอากาศมีเสียงผิดปกติ

- ท่านอาจได้ยินเสียงหวือต่ำเมื่อคอมเพรสเซอร์กำลังทำงานหรือเพิ่งหยุดทำงาน เสียงนี้เป็นเสียงการไหลหรือการหยุดไหลของสารทำความเย็น
- ท่านยังอาจได้ยินเสียง “เอี้ยด” ต่ำเมื่อคอมเพรสเซอร์กำลังทำงานหรือเพิ่งหยุดทำงาน เสียงนี้เกิดจากชิ้นส่วนที่เป็นพลาสติกภายในเครื่องปรับอากาศมีการขยายตัวของความร้อนและการหดตัวของความเย็นเมื่อมีการเปลี่ยนแปลงอุณหภูมิ
- อาจได้ยินเสียงรบกวนเนื่องจากบานเกล็ดกลับทิศทางพัดลมเปิดเมื่อเปิดเครื่องปรับอากาศ

### 6. มีฝุ่นพัดออกมาจากตัวเครื่องภายใน

กรณีนี้เป็นเรื่องปกติเมื่อไม่มีการใช้เครื่องปรับอากาศมาเป็นเวลานานหรือระหว่างการใช้งานครั้งแรก

### 7. มีกลิ่นแปลกๆ ออกมาจากตัวเครื่องภายใน

กรณีนี้เกิดจากตัวเครื่องภายในส่งกลิ่นของวัสดุก่อสร้าง เพอร์นิเจอร์ หรือควัน

### 8. เครื่องปรับอากาศเปลี่ยนจากโหมด COOL หรือ HEAT เป็นโหมด FAN อย่างเดียว (สำหรับรุ่นที่มีระบบทำความเย็น และระบบทำความร้อนเท่านั้น)

เมื่ออุณหภูมิภายในห้องถึงอุณหภูมิที่ตั้งไว้ในเครื่องปรับอากาศแล้ว คอมเพรสเซอร์จะหยุดทำงานโดยอัตโนมัติ และเครื่องปรับอากาศจะเปลี่ยนเป็นโหมด FAN อย่างเดียว คอมเพรสเซอร์จะเริ่มทำงานอีกครั้งเมื่ออุณหภูมิภายในห้องเพิ่มสูงขึ้นในโหมด COOL หรือลดลงในโหมด HEAT (สำหรับรุ่นที่มีระบบทำความเย็น และระบบทำความร้อนเท่านั้น)

### 9. ให้ความร้อนไม่เพียงพอ (สำหรับรุ่นที่มีระบบทำความเย็นและระบบทำความร้อนเท่านั้น)

เครื่องปรับอากาศจะดึงความร้อนเข้ามาจากคอมเพรสเซอร์และปล่อยออกมาทางตัวเครื่องภายใน ในระหว่างการทำความร้อน เมื่ออุณหภูมิภายนอกลดต่ำลง ความร้อนที่เครื่องปรับอากาศดึงเข้ามาจะลดลงตามไปด้วย ในขณะที่ความถี่ของการทำความร้อนของเครื่องปรับอากาศก็เพิ่มขึ้น

เนื่องจากอุณหภูมิภายในและภายนอกที่มีความแตกต่างมากยิ่งขึ้น หากเครื่องปรับอากาศไม่สามารถทำอุณหภูมิให้อยู่ในจุดที่รู้สึกสบายได้ เราขอแนะนำให้ท่านใช้เครื่องทำความร้อนเสริม

#### 10. ฟังก์ชัน Auto-restart

- หากเกิดไฟฟ้าขัดข้องระหว่างการใช้งาน เครื่องปรับอากาศจะหยุดทำงานอย่างสิ้นเชิง
- สำหรับเครื่องปรับอากาศที่ไม่มีฟังก์ชัน Auto-restart เมื่อไฟฟ้ากลับมาเป็นปกติ ไฟแสดงสถานะการทำงานบนตัวเครื่องภายในจะพริบเป็นเวลา 1 วินาที หากต้องการเริ่มการทำงานใหม่ให้กดปุ่มเปิด/ปิดบนรีโมทคอนโทรล สำหรับเครื่องปรับอากาศที่มีฟังก์ชัน Auto-restart เมื่อไฟฟ้ากลับมาเป็นปกติ เครื่องจะเริ่มการทำงานใหม่โดยอัตโนมัติ ด้วยการตั้งค่าก่อนหน้าถึงหมดที่เก็บไว้ในหน่วยความจำ

## 12. การแก้ไขปัญหา

<b>ปัญหา</b>	ไฟแสดงสถานะการทำงาน (ทำงาน) หรือไฟแสดงสถานะอื่นๆ ยังคงกะพริบ	เครื่องปรับอากาศอาจหยุดการทำงานหรือทำงานต่อไปในสภาวะรักษา
	การคลิกดังต่อไปนี้ปรากฏขึ้นในพื้นที่ส่วนแสดงพล: <ul style="list-style-type: none"> <li>• E(x), P(x), F(x)</li> <li>• EH(xx), EL(xx), EC(xx)</li> <li>• PH(xx), PL(xx), PC(xx)</li> </ul>	ความปลอดภัย (ขึ้นอยู่กับรุ่น) ให้รอประมาณ 10 นาที ความผิดปกติอาจได้รับการแก้ไขโดยอัตโนมัติ หากไม่เป็นเช่นนั้น ให้ปิดสวิตช์ไฟแล้วเปิดใหม่อีกครั้ง หากปัญหายังคงเกิดขึ้น ให้ปิดสวิตช์ไฟและติดต่อศูนย์บริการลูกค้าใกล้บ้าน
	ฟิวส์ขาดบ่อยครั้งหรือเบรกเกอร์ตัดวงจรบ่อยครั้ง	หยุดเครื่องปรับอากาศทันที ปิดสวิตช์ไฟและติดต่อศูนย์บริการลูกค้าใกล้บ้าน
	วัตถุอื่นหรือน้ำเล็ดลอดเข้าไปในเครื่องปรับอากาศ	
	ได้กลิ่นเหม็นหรือได้ยินเสียงผิดปกติ	

ความผิดปกติ	สาเหตุ	ควรทำอะไร
<b>เครื่องไม่ทำงาน</b>	ไฟฟ้าดับ	รอให้ไฟฟ้ามายากลับมาเป็นปกติ
	ปลั๊กเครื่องอาจหลุด	ตรวจสอบว่าปลั๊กไฟเสียบกับเต้ารับที่ผนังอย่างแน่นหนา
	ฟิวส์อาจขาด	เปลี่ยนฟิวส์
	เบตเตอร์ในรีโมทคอนโทรลอาจหมด	เปลี่ยนเบตเตอร์
	เวลาที่ท่านตั้งไว้ด้วยตัวจับเวลาอาจไม่ถูกต้อง	รอหรือยกเลิกการตั้งค่าตัวจับเวลา
<b>เครื่องทำความเย็นหรือทำความร้อน (รุ่นที่มีระบบทำความเย็น/ระบบทำความร้อนเท่านั้น) ได้ไม่ดีนักแม้ว่าจะมีลมพัดออกมาจากเครื่องปรับอากาศ</b>	ตั้งอุณหภูมิไม่เหมาะสม	ตั้งอุณหภูมิให้ถูกต้องสำหรับวิธีการอย่างละเอียด โปรดดูหัวข้อ “วิธีการใช้งานรีโมทคอนโทรล”
	แผ่นกรองอากาศอุดตัน	ทำความสะอาดแผ่นกรองอากาศ
	เปิดประตูหรือหน้าต่างทิ้งไว้	เปิดประตูหรือหน้าต่างให้สนิท
	ช่องลมเข้าหรือช่องลมออกของตัวเครื่องภายในหรือคอมเพรสเซอร์มีสิ่งกีดขวาง	นำสิ่งกีดขวางออกก่อน จากนั้นให้เปิดเครื่องใหม่อีกครั้ง
ระบบป้องกัน 3 นาทีของคอมเพรสเซอร์ทำงานอยู่	รอ	
หากแก้ไขปัญหานี้ไม่ได้ โปรดติดต่อตัวแทนจำหน่ายในพื้นที่หรือศูนย์บริการลูกค้าใกล้บ้าน พร้อมทั้งแจ้งรายละเอียดความผิดปกติและหมายเลขรุ่นของเครื่องปรับอากาศ ห้ามพยายามซ่อมแซมเครื่องด้วยตัวเอง ให้ปรึกษาผู้เชี่ยวชาญที่ได้รับอนุญาตทุกครั้ง		



### 13. การกึ่งพลิตกัณฑ์นี้อย่างถูกต้อง



■ สัญลักษณ์นี้หมายถึง ห้ามกึ่งพลิตกัณฑ์นี้ร่วมกับขยในครัวเรือนสำหรับประเทศในแถบยุโรป เพื่อปกป้องดูแลสิ่งแวดล้อมและสุขภาพของมนุษย์ไม่ได้รับอันตรายจากการกึ่งขยที่ไร้การควบคุม ให้รับพิตรอนด้วยการรีไซเคิลเพื่อส่งเสริมการใช้ทรัพยากรอย่างยั่งยืน หากต้องการกึ่งพลิตกัณฑ์นี้ให้แล้ว โปรดใช้ระบบการคืนและการเก็บ หรือติดต่อร้านค้าที่ ท่านซื้อพลิตกัณฑ์นี้ เพราะร้านค้าจะนำพลิตกัณฑ์นี้ไปรีไซเคิลด้วยวิธีที่ปลอดภัยต่อสิ่งแวดล้อม





www.electrolux.com/shop



66139904966



**21104a**

