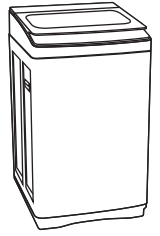
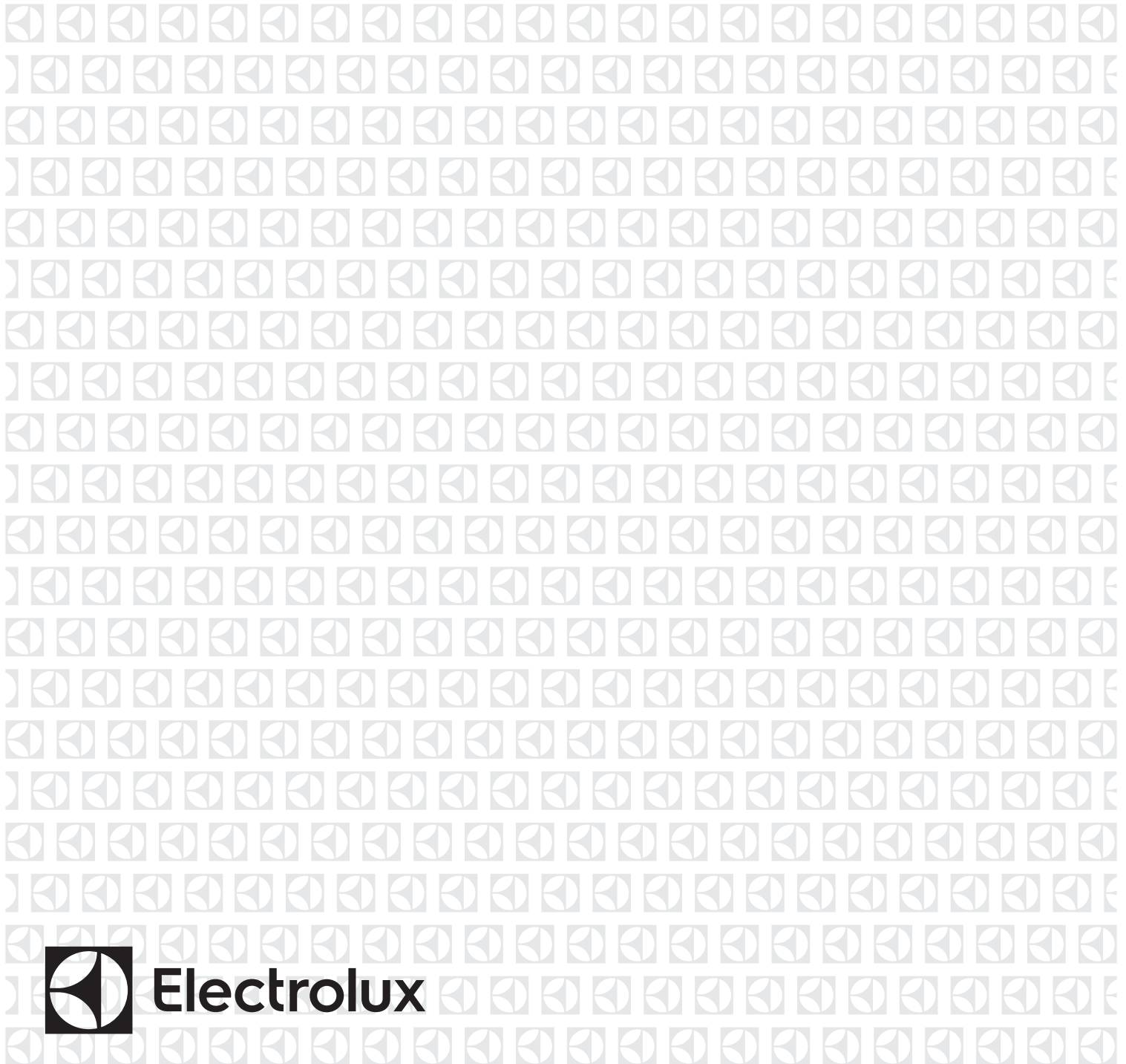


EWT1575D2SA



EN Top Load Washer

User Manual



Electrolux

Welcome to the world of Electrolux

Thank you for choosing a first class product from Electrolux, which hopefully will provide you with lots of pleasure in the future. The Electrolux ambition is to offer a wide variety of quality products that make your life more comfortable. You find some examples on the cover in this manual. Please take a few minutes to study this manual so that you can take advantage of the benefits of your new machine. We promise that it will provide a superior User Experience delivering Ease-of-Mind. Good luck!

The symbols you will see on some paragraphs of this booklet have the following meaning:



The warning triangle and/or the key words (Warning!, Caution!) emphasize information that is particularly important for your safety or correct functioning of the appliance.



The information marked with this symbol provides additional instructions and practical tips on the use of the appliance.



Tips and information about economical and ecological use of the machine are marked with this symbol.

Our contribution to the protection of the environment;
we use environmentally friendly paper.

CONTENTS

Safety information	3
Product description	5
Control panel	6
Washing program	7
Use	8
Care and cleaning	10
Helpful hints in dealing with washing problem	12
Troubleshooting	13
Technical information	14
Installation instruction	15
Environment concerns	18
Contact detail: Electrolux customer care	19

SAFETY INFORMATION



In the interest of your safety and to ensure the correct use, before installing and first using the appliance, read this user manual carefully, including its hints and warnings.

To avoid unnecessary mistakes and accidents, it is important to ensure that all people using the appliance are thoroughly familiar with its operation and safety features.

Save these instructions and make sure that they remain with the appliance if it is moved or sold, so that everyone using it through its life will be properly informed on appliance use and safety.

General safety

- It is dangerous to alter the specifications or attempt to modify this product in any way.
- Make sure that small pets do not climb into the drum. To avoid this, please check into the drum before using the appliance.
- Any objects such as coins, safety pins, nails, screws, stones or any other hard, sharp material can cause extensive damage and must not be placed into the machine.
- Only use manufacturer's recommended quantities of fabric softener and detergent. Damage to the fabric or appliance can occur if you exceed the recommended amount.

- This appliance is not intended for use by persons (including children) with reduced physical, sensory or mental capabilities, or lack of experience and knowledge, unless they have been given supervision or instruction concerning use of the appliance by a person responsible for their safety.
- Wash small items such as socks, laces, washable belts etc in a washing bag or pillow case as it is possible for such items to slip down between the tub and the agitator.
- Do not use your washing machine to wash articles with whale bones, material without hems or torn material.
- Always unplug the appliance and turn off the water supply after use, clean and maintenance.
- Under no circumstances should you attempt to repair the machine yourself. Repairs carried out by inexperienced persons may cause injury or serious malfunctioning. Contact your local Service Center. Always insist on genuine spare parts.

Installation

- This appliance is heavy. Care should be taken when moving it.
- When unpacking the appliance, check that it is not damaged. If in doubt, do not use it and contact the Service Center.

SAFETY INFORMATION

- After having installed the appliance, check that it is not standing on the inlet and drain hose and the worktop is not pressing the electrical supply cable.
- If the appliance is installed on a carpeted floor, please adjust the feet in order to allow air to circulate freely.
- Always be sure, that there is no water leakage from hoses and their connections after the installation.
- Any plumbing work required to install this appliance should be carried out by a qualified plumber.
- Any electrical work required to install this appliance should be carried out by a qualified electrician.
- **WARNING:**
May cause electric shock! if the machine is not connected to an earthed/ground system. **DO NOT** touch the wet clothes and metal parts.

Use

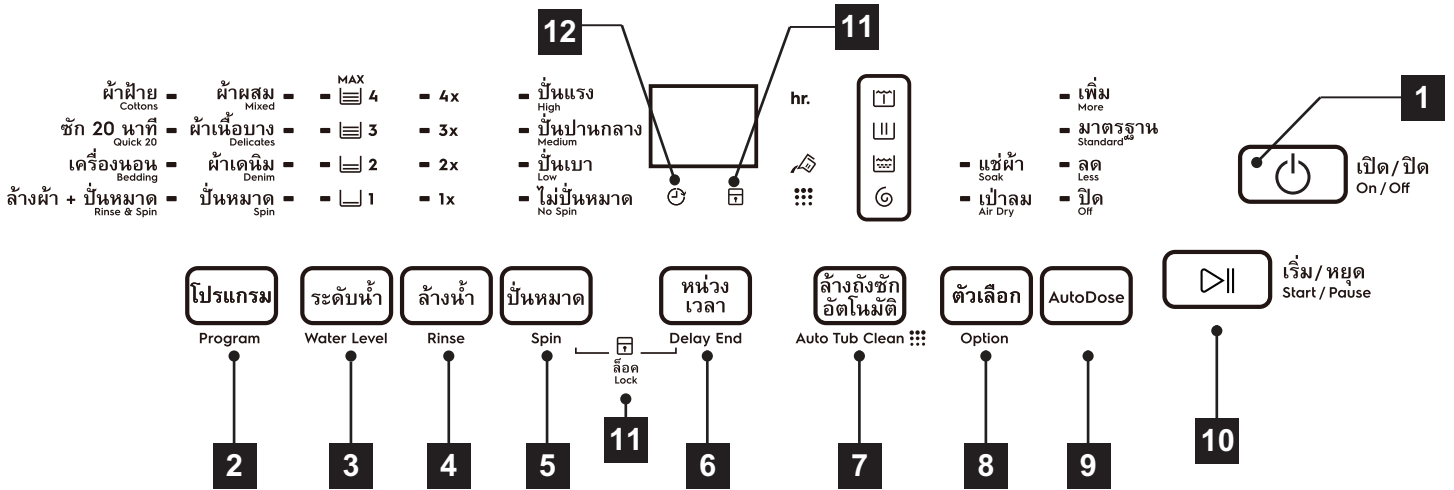
- This appliance is designed for domestic use. It must not be used for purposes other than those for which it was designed.
- Only wash fabrics which are designed to be machine washed. Follow the instructions on each garment label.
- Do not overload the appliance. See the relevant section in the user manual.

- Before washing, ensure that all pockets are empty and buttons and zips are fastened. Avoid washing frayed or torn articles and treat stains such as paint, ink, rust, and grass before washing.
- Garments which have been in contact with volatile petroleum products should not be machine washed. If volatile cleaning fluids are used, care should be taken to ensure that the fluid is removed from the garment before placing in the machine.
- Never pull the power supply cable to remove the plug from the socket; always take hold of the plug itself.
- Never use the washing machine if the power supply cable, the control panel, the working surface or the base are damaged so that the inside of the washing machine is accessible.

Child safety

- This washing machine is not intended for use by young children or infirm persons without supervision.
- Young children should be supervised to ensure that they do not play with the appliance.
- The packaging components (e.g. plastic film, polystyrene) can be dangerous to children - danger of suffocation! Keep them out of children's reach.
- Keep all detergents in a safe place out of children's reach.
- Make sure that children or pets do not climb into the drum.

CONTROL PANEL



1 Power On/Off

Press this button to power on/off your washing machine. The machine will automatically power off if there is no selection made within 5 minutes.

2 Program Selector

Press this button to choose the wash program you want. The “Your Program Guide” shown on page 7 will help you in selecting the right program.

3 Water Level

Choose the water level by pressing Water Level button. Use only the amount of water you need for the wash load.

4 Rinse

This button allows you to manually select required times of rinsing.

5 Spin

This button allows you to manually select spin speed.(No Spin,Low, Medium,High)

6 Delay End

You can set your washing machine to finish your wash at a later time you specify, choosing a delay of between 1 to 24 hours.

7 Auto Tub Clean

This option is to wash laundry and tub at the same time. It can be added or canceled by user itself. Suitable for: Mixed、 Denim.

8 Options

Press this button to customise your wash program with Soak or Air dry.

9 AutoDose

This button allows you to manually select your required Auto Dose`s level. This function is invalid when insufficient detergent is detected in box.

10 Start/Pause

Press this button to start and pause washing program.

11 Lock

This function locks the control panel to prevent disruption. To activate, press Delay End and Spin buttons simultaneously for 2 seconds until the child lock`s indicator lights up after launched. Press again for 2 seconds to deactivate.

12 Delay time

The time displayed under this icon indicates the time when the program will end.

WASHING PROGRAMS

Program	Max Load (kg)	Description	Option
	15.0		
Cottons	15.0	Suitable for washing cotton clothes that are lightly soiled.	Soak,Air Dry,Soak+Air Dry,Lock,Delay End, Water Level
Mixed	15.0	Suitable for washing shirts,casual pants and other ordinary clothes.	Soak,Air Dry,Soak+Air Dry,Au - to Tub Clean,Lock, Delay End,Water Level
Quick 20	6.0	Suitable for washing daily clothes that are lightly soiled and small quantity.	Lock,Delay End,Water Level
Delicates	6.0	Suitable for washing delicate items such as silk and underwear.	Soak,Air Dry,Soak+Air Dry,Lock,Delay End, Water Level
Bedding	15.0	Suitable for washing bulky items like blanket or bedding.	Soak,Air Dry,Soak+Air Dry,Lock,Delay End,
Denim	15.0	Suitable for washing denim clothes.	Soak,Air Dry,Soak+Air Dry,Au - to Tub Clean,Lock, Delay End,Water Level
Rinse+Spin	15.0	Program only for rinsing and spinning.	Lock,Delay End,Water Level
Spin	15.0	Program only for spinning.	Lock,Delay End

Option

Option	Description
Soak	Add soak function to the wash program. This option will extend washing time.
Air Dry	This option will maintain the high speed spinning for a longer period of time so that more water can be extracted.



AutoDose

Important note before use :

Do not put powder detergent into the autodose box.

Default dosage is based concentrated detergent type.

To select "Normal" detergent type, kindly press 2s on the "Autodose" button.

" " will be displayed on screen. Press 2s again ,it will switch to concentrated detergent "".

For detergent type, please refer to detergent packaging.



For liquid detergent only

If you want to clean the auto dosing box, please contact your local Service Center.

USE

These Washing Instructions are of a general nature and you should get good wash results by following them.

However, due to the variables of fabric types, soil levels, detergent types and available program settings you may find some combinations of these which do not always result in the perfect wash. If for example you see residuals of detergent or soils on some items, please read the section Residues on washed items paragraph.

Over time you will learn what is the best set-up of programs, detergent and load sorting for different load types and soils.

Sort Your Washing Into Separate Wash Loads



Each load of washing should contain clothing which needs the same washing conditions. For example, you should not wash delicate clothes with very dirty work clothes.

Colour fast and non-colourfast fabrics should be separated. Knowing the type of fabrics you have and how dirty they are will help when you make selections from the wash program options.

Some fabrics are lint collectors and can pick up lint, dirt and colour from other fabrics which are lint producers. Some examples are listed below:

Lint collectors

- Corduroy
- Synthetics
- Permanent press fabrics

Lint producers

- Towels
- Nappies
- Chenille/Candlewick



Make sure that you wash lint collectors separately from lint producers.

Check your clothes to avoid damage

Empty all pockets. Close all hooks and zippers to avoid snagging clothes.

Wash bras, pantyhose and other delicates in a mesh laundry bag, which you can purchase from your supermarket.

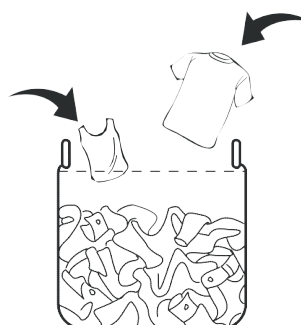
Pre-treatment sprays and stain removers



Pre-treatment sprays and stain remover can damage plastic components on your washing machine.

If you use pre-treatment sprays or stain removers, apply them to the clothing well away from your washing machine.

Load the washing machine



USE

When loading the clothes into your washing machine, there are four things to remember:

- Clothes must be loaded evenly in the tub.
- Clothes must not be wrapped around in the tub.
- The washing machine must not be overloaded. Clothes must be able to move around during washing.
- A mixed load of large and small items will wash cleaner than a full load of large items. For example, sheets should be accompanied by small items.

Detergent

- Please use detergent designed for top load or front load washing machines.
- It is best to use concentrated detergent.
- Do not put too much detergent in dispenser drawer. This will give you too many suds causing low spin speeds, poor rinsing and overloading the motor during spin stages of the wash program.

Adding the detergent

When using the washing machine for the first time, check that the dispenser is set for the type of detergent you will use. To do this, proceed as follows:

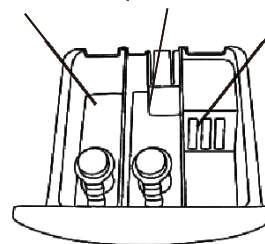
1. Pull out the dispenser drawer.
2. Put proper detergent into it.
3. Pull back the dispenser drawer.



Please add the detergent according to the product instruction. Please add the detergent properly if you have changed the detergent.



Softener Dispenser Liquid Detergent Dispenser Powder Detergent Dispenser



1. You can add softener, liquid detergent and powder detergent to the right dispenser by yourself.
2. Do not activate autodose together add the liquid detergent, this will give you too many suds causing low spin speeds, poor rinsing and overloading the motor during spin stages of the wash program.



Adding Bleach

Bleaching of clothes can help to remove stains and heavy soiling.

Oxygen type - This is generally a powder type bleach. Add bleach in the left-side box of the drawer. Refer to the instructions on the bleach container.

Attention:

- 1 Do not overfill the siphon cap for the liquid bleach.
- 2 Liquid detergent and bleach should not be added to the left-side box simultaneously in order to avoid chemical reaction.

Chlorine type - This type of bleach should NOT be mixed with detergent. Mix the bleach with water as per the instructions on the container.

- Bleach should NOT be used on silk, wool, rayon or drip dry clothes.
- Dose the amount as recommended by the manufacturer and do not mix bleach with detergent to avoid chemical reaction.
- Do not overfill the siphon cap for the liquid bleach.

CARE AND CLEANING

What To Do After You Have Finished Your Washing.

- After washing course is completed the water tap must be turned off.
 - If required the water inlet hose can be removed
- After using the washing machine please discharge the water in the barrel out so as to keep it dry.
- Plug out the power socket for maintenance.
- Hang up power line and drain hose.
- Wipe up the droplet and dirt in washing machine barrel with clean soft cloth.
- Leave lid open for a while. This allows time for moisture inside the washing machine to evaporate and for any odours to disperse.



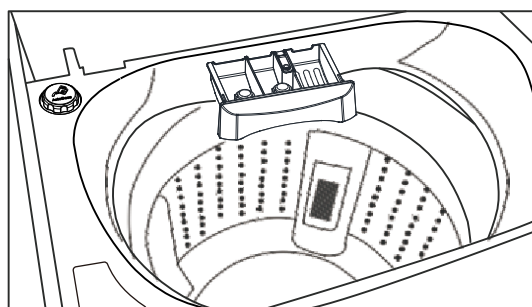
You must DISCONNECT the appliance from the electricity supply, before you carry out any cleaning or maintenance work.

Cleaning The Dispenser

The dispenser needs to be cleaned regularly, preferably after each wash. Inspect the dispenser after each wash to see if there is any residue of detergent. To do this, proceed as follows:

- Pull out the dispenser drawer until it stops.

- Pull out the drawer, press the snap joint of liquid detergent dispenser, and remove it from runners.
- Clean the dispenser drawer with hot water and a brush, eg. an old toothbrush.
- Dry the drawer.
- Before replacing the dispenser back in its recess, clean the inside of the recess with an old toothbrush.

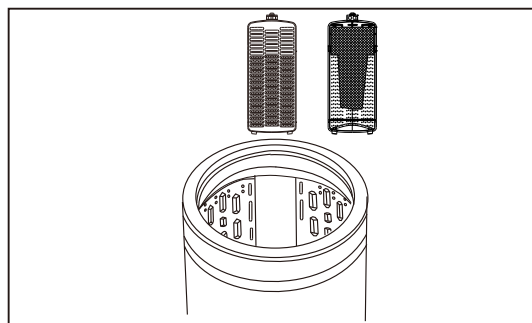


- Put the dispenser back into its runners and close the drawer.

Cleaning of Lint Filter

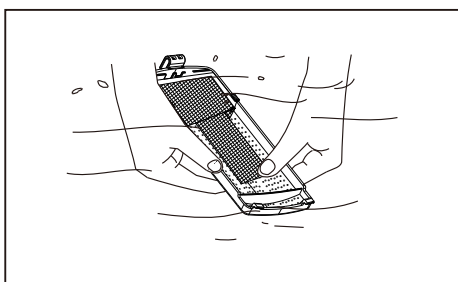
Following is the concrete operation method:

1. Press the button and pull out the filter screen.

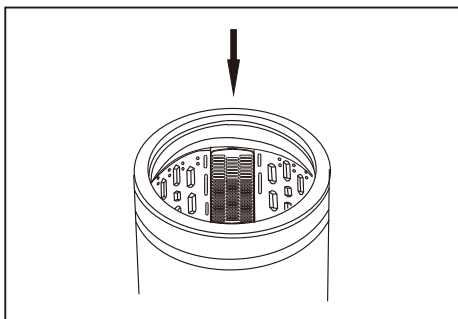


CARE AND CLEANING

- 2: Open the filter screen and filter bag, wash it with water.



- 3: Push down the filter screen and insert it into the groove.



Cleaning Your Washing Machine

To clean the inside and outside of your washing machine you should:

- Wipe the surface with mild dishwashing detergent and warm water.
- Wipe dry with a soft cloth.



Avoid the use of chemical medicines such as detergent and propellant as they damage the surface.

Cleaning Stains In The Drum

Stains and residue in the drum can be caused by:

- Metal objects such as bobby pins, dress making pins and nails.
- Salt.
- Body oils and grease from dirty or sweaty clothes being deposited around the top of the drum.
- Excessive foam during wash if incorrect or too much detergent is used.



- **Check all pockets before loading clothes into your washing machine.**
- **Don't leave wet clothing (especially swimwear) in the bowl for too long before you wash it.**

How to clean the drum:

- Wipe with a cleaning product which is suitable for stainless steel.
- Oily deposits can be removed by wiping surfaces with mild dishwashing detergent and warm water.



Never use bleach cleaners or steel wool to clean the stainless steel drum.

Residues On Washed Items

If you are experiencing residue on some clothes, the following tips will help:

- Pre-mix the detergent thoroughly in warm water to improve the dissolving.
 - Reduce detergent dosage to between 1/2 and 2/3 of the manufacturer's standard recommendation to avoid over concentration (lower water usage requires lower detergent usage).
 - Some residue may be re-deposited lint, so be careful to not have lint producing items in a load which has darker clothes.
- If you use pre-treatment sprays or stain removers, apply them to the clothes items in a well ventilated area away from your washing machine.
 - Use light strokes and don't rub the stain remover into the fabric.
 - If you use a chlorine bleach, follow the instructions on the bottle and dilute it before putting it on clothing.
 - Test coloured fabrics on an inside seam for colour fastness before using any stain removers or bleaches.
 - Test synthetic fabric on an inside seam before using any chemicals or bleaches.



Some detergents have ingredients which do not fully dissolve and as a consequence, may leave white residue or particles evident on the surface of darker clothes in the finished wash load.

Similarly, some soils may not dissolve fully, resulting in residue evident on lighter coloured clothes.

Stained Clothes

Treat all stains as soon as possible. The longer you leave a stain, the harder it will have to be removed. Try soakers and stain removers first.

NOTE: Chemicals referred to for stain removal are available from your local supermarket, hardware store or the chemist.




Pre-treatment sprays and stain removers can damage plastic components on your washing machine.

Do not use dry cleaning fluids or solvents near your washing machine. These fluids will damage your washing machine and may cause an explosion.

TROUBLESHOOTING

When the washing machine displays the below content with a buzzer, except silent Ld code, it will automatically power off after 5 minutes.

Identify the problem and if possible, rectify it before contacting local service. Do not dismantle and repair the machine without authorization.

Program	Display	Possible causes	What to do
No water filling in tub	E1	1. Water tap is not turned on. 2. Inlet hose is blocked.	1. Turn on the water tap. 2. Clean tap filter/water inlet filter.
Abnormal water level signal	E2	1. Water inflows too much and exceeds max water level. 2. The water level is abnormal.	The program adjusts and recovers automatically.
Machine does not work	Ld	Lid is opened during machine running.	Close the lid, press Start/Pause and recover it.
Water cannot be drained	E5	1. Drain hose is placed too high. 2. Drain hose is blocked /bent/ squashed.	1. Lower the drain hose and press Start/Pause. 2. Check drain hose for blockage or being bented / squashed and press Start/Pause to resume operation.
Machine not working while "Child lock" can be activated	Ld	Lid is not closed with "Child Lock" option selected.	Close the lid; cancel "Child Lock" option; press Start/Pause and recover it.
Machine goes out of balance or vibrates excessively during spinning	E4	1. Uneven floor. 2. Adjustable feet is not adjusted. 3. Clothes is not evenly adjusted.	1. Adjust the machine level with the adjustable feet. 2. Redistribute clothes evenly.
Autodosing abnormal	 Autodosing icon twinkles	Detergent not enough	Add detergent

Note: In "E4" after machine had self performed load adjustment twice and unsuccessfully.

Certain problems are due to lack of simple maintenance or oversights, which can be solved easily without calling out an engineer.

Before contacting your local Service Centre, please carry out the checks listed below.

Once the problem has been eliminated, press the Start/Pause button to restart the program.

If after all checks, the problem persists, contact your local Service Centre.

PROBLEMS	POSSIBLE REASONS AND RELEVANT SOLUTION
Machine pauses during washing or rinsing	Machine is detecting water level which is normal operation.
Water flowing in during washing or rinsing	The machine detects water level lower than required and automatically top up water.
Machine pause after water is fully drained	Spin cycle is delayed to ensure complete water drain which is normal operation.
Spinning of the drum is intermittent or paused during the initial spin cycle	The machine program is designed with initial intermittent spinning which is normal operation.
Machine adds water into the drum during spinning cycle	The washing load is unevenly distributed and machine is redistributing the load.
The control panel feels warm	This is normal as some electrical components generate heat
The machines does not continue after power supply recovers from sudden supply cut-off	There has been continuous power supply cut-off and machine goes into power off for protection purpose.
Machine does not respond when buttons are pressed	Child Lock option is activated. Unlock Child Lock to resume normal operation of the control buttons.
Some detergent residue in the detergent drawer	Check the water supply pressure. The suitable water supply pressure is 0.03-0.6MPa.

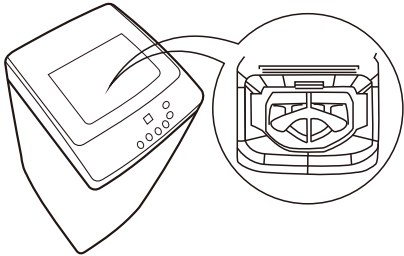
Technical Information

Model	EWT1575D2SA
Product Dimension (WxHxD) mm	650x1040x670
Power supply : THAI	220V~,50Hz
Rated Power	400W
Water supply pressure (min-max) Mpa	0.03-0.6MPa
Maxium load	15kg
Spin speed	600 rpm

INSTALLATION INSTRUCTIONS

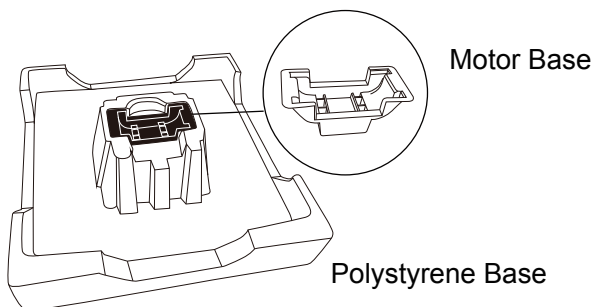
1. Unpacking and bottom cover

1.1 Take the machine out of the packaging base.



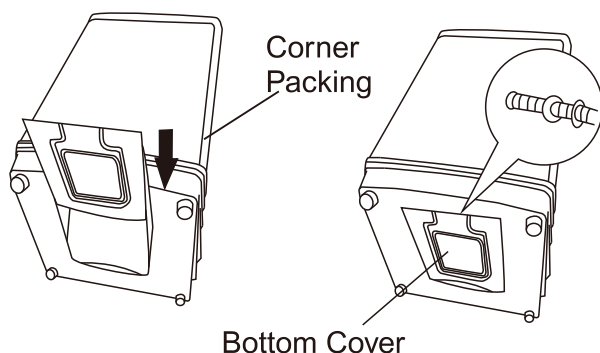
IMPORTANT : The top polystyrene must be removed the last process, protecting the drum from hitting the cabinet when the machine is tilted.

1.2 After lifting the machine out, all the packaging base must be removed.



2. Bottom cover insertion

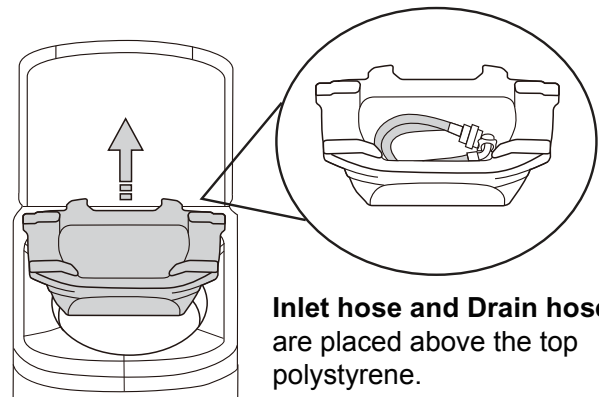
Lay down the machine on its back side, and insert the bottom cover into slot until to the end, then fasten the screw.



IMPORTANT : Prevention damaged to the cabinet by placing two of the corner packing pieces supporting between back of machine and floor.

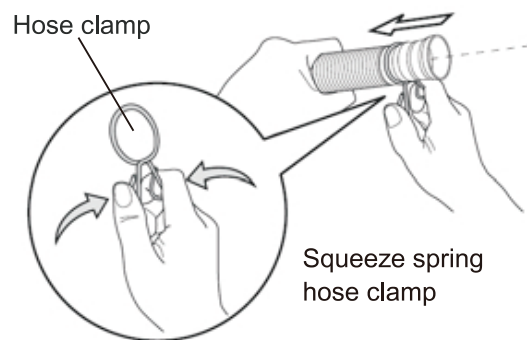
IMPORTANT:

Top polystyrene must be removed after installation bottom cover. Lift up the machine and remove the top polystyrene.



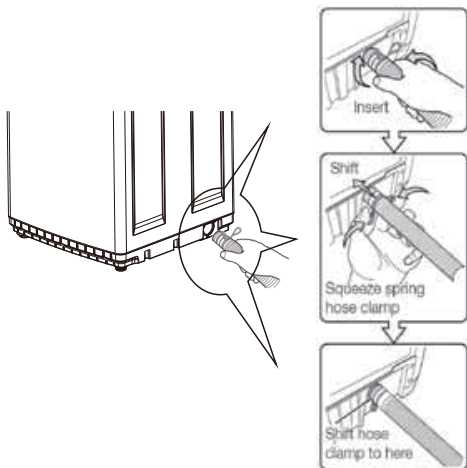
3. Drain hose

3.1 Holding the hose clamp and squeezing it, then put it into the drain hose inserting.



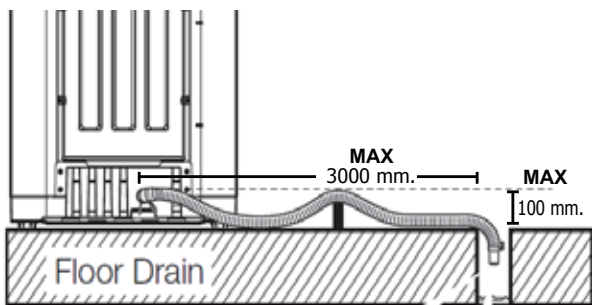
3.2 Insert drain hose into the drainage holes at the bottom of washing machine until it comes to end. Squeeze hose clamp again and shift it to the location as shown on picture to lock the drain hose.

INSTALLATION INSTRUCTIONS



3.3 Position drain hose by adjusting the free length of hose to suit your installation.

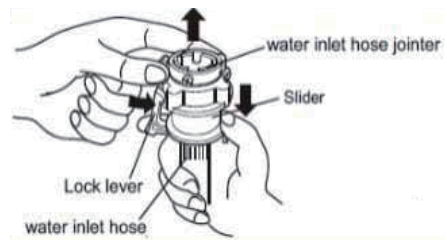
IMPORTANT:
Do not put hose tip into the water. For prevent syphon effect.



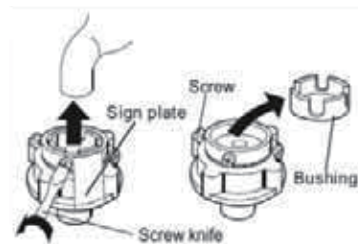
4. Inlet hose

At the water tap faucet

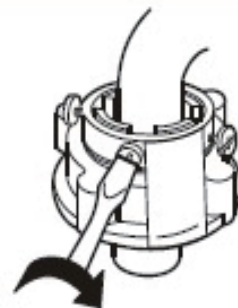
4.1 Press the lower end of the lock lever and push down the slider. Take off the water inlet hose jointer from the water inlet hose component.



4.2 Loosen the screw till the water faucet can be accessed. Put the jointer of the water inlet hose on the faucet.



4.3 Fasten the four screws evenly.



At the washing machine

4.4 Fix the lock nut on the water inlet valve by even strength. Do not twist water inlet hose to avoid breakage.

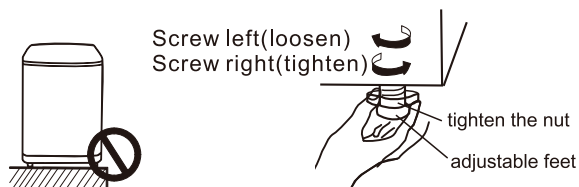
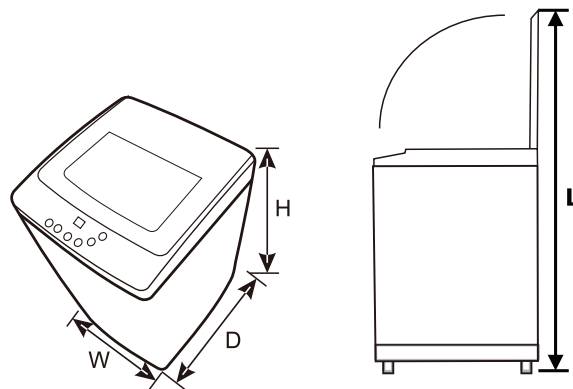


INSTALLATION INSTRUCTIONS

5. Leveling of the machine

Machine should be placed even on the floor. If the flooring is not even, adjust the adjustable feet of the washing machine until the entire machine is stable.

NOTE: Do not place washer on step or platform to avoid washer tip over. When placing washer on carpet, make sure carpet does not block air vents.



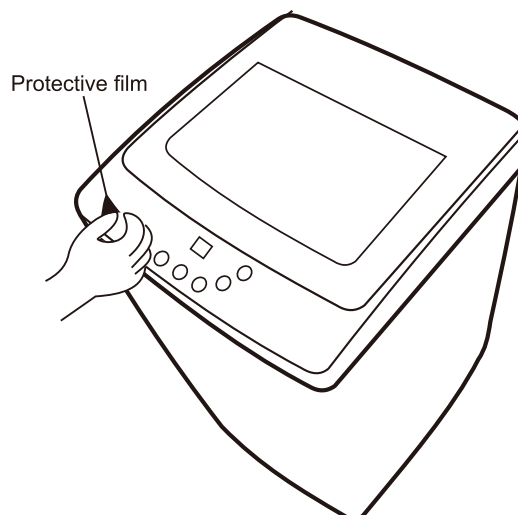
Model	Product Dimension (mm)			
	W	D	H	L
EWT1575D2SA	650	670	1040	1408

IMPORTANT: Adjustable feet are assembled on the left or right side depending on the different models.



7. Control panel protective film

Protective film on the control panel can be removed by yourself.




6. Lid and machine clearance

Machine must have at least 5 cm space clearance around itself.

Packaging materials



The materials marked with the symbol  are recyclable.


- >PE<=polyethylene
- >PS<=polystyrene
- >PP<=polypropylene

This means that they can be recycled by disposing of them properly in appropriate collection containers.

Old machine

Use authorised disposal sites for your old appliance. Help to keep your country tidy!



The symbol  on the product or on its packaging indicates that this product may not be treated as household waste.

Instead it shall be handed over to the applicable collection point for the recycling of electrical and electronic equipment.

By ensuring this product is disposed of correctly, you will help prevent potential negative consequences on the environment and human health, which could otherwise be caused by inappropriate waste handling of this product.

For more detailed information about recycling of this product, please contact your local city office, your household waste disposal service or the shop where you purchased the product.

Ecological hints

To save water, energy and to help protect the environment, we recommend that you follow these tips:

- Normally soiled laundry may be washed without prewashing in order to save detergent, water and time (the environment is protected too!).
- The machine works more economically if it is fully loaded.
- With adequate pre-treatment, stains and limited soiling can be removed; the laundry can then be washed at a lower temperature.
- Measure out detergent according to the water hardness, the degree of soiling and the quantity of laundry being washed.

CONTACT DETAILS ELECTROLUX CUSTOMER CARE

Indonesia

Hotline service: 08041119999
PT. Electrolux Indonesia
Electrolux Building
Jl.Abdul Muis No.34, Petojo Selatan,
Gambir Jakarta Pusat 10160
Email: customercare@electrolux.co.id
SMS & WA : 0812.8088.8863

Malaysia

Consumer Care Center Tel: 1300-88-11-22
Electrolux Home Appliances Sdn. Bhd.
Corporate Office Address: Unit T2-7, 7th Floor, Tower 2, PJ33,
No. 3, Jalan Semangat, Seksyen 13,
46200 Petaling Jaya, Selangor.
Office Tel : (+60 3) 7843 5999
Office Fax : (+60 3) 7955 5511
Consumer Care Center Address: Lot C6, No. 28,
Jalan 15/22, Taman Perindustrian Tiong Nam,
40200 Shah Alam, Selangor
Consumer Care Center Fax : (+60 3) 5524 2521
Email : malaysia.customercare@electrolux.com

Philippines

Consumer Care Center Toll Free : 1-800-10-845-CARE(2273)
Consumer Care Hotline : (+63 2) 845-CARE(2273)
Electrolux Philippines, Inc.
Unit B 12F Cyber Sigma Bldg, Lawton Avenue,
McKinley West, Taguig, Philippines 1634
Trunkline: +63 2 737-4757
Website : www.electrolux.com.ph
Email : wecare@electrolux.com

Singapore

Consumer Care Center Tel: (+65) 6727 3699
Electrolux S.E.A. Pte Ltd.
1 Fusionopolis Place,
#07-10 Galaxis, West Lobby
Singapore 138522.
Office Fax : (+65) 6727 3611
Email : customer-care.sin@electrolux.com

Thailand

Consumer Care Tel : (+66 2) 725 9000
Electrolux Thailand Co., Ltd.
Electrolux Building 14th Floor
1910 New Phetchaburi Road,
Bangkapi, Huai Khwang, Bangkok 10310
Office Tel : (+66 2) 7259100
Office Fax : (+66 2) 7259299
Email : customercarethai@electrolux.com

Vietnam

Consumer Care Center Toll Free: 1800-58-88-99
Tel: (+84 28) 3910 5465
Electrolux Vietnam Ltd.
Floor 9th, A&B Tower
76 Le Lai Street - Ben Thanh Ward - District 1
Ho Chi Minh City , Vietnam
Office Tel: (+84 28) 3910 5465
Office Fax: (+84 28) 3910 5470
Email: vn care@electrolux.com

Hongkong

Service Hotline: (+852) 3193 9888
DCH Electrical Appliances Services Centre
5/F, DCH Building, 20 Kai Cheung Road,
Kowloon Bay, Hong Kong

www.electrolux.com



* We may make changes to this product or manual in our continuous effort for improvement without prior notification.

QX118P01SMSWC

