

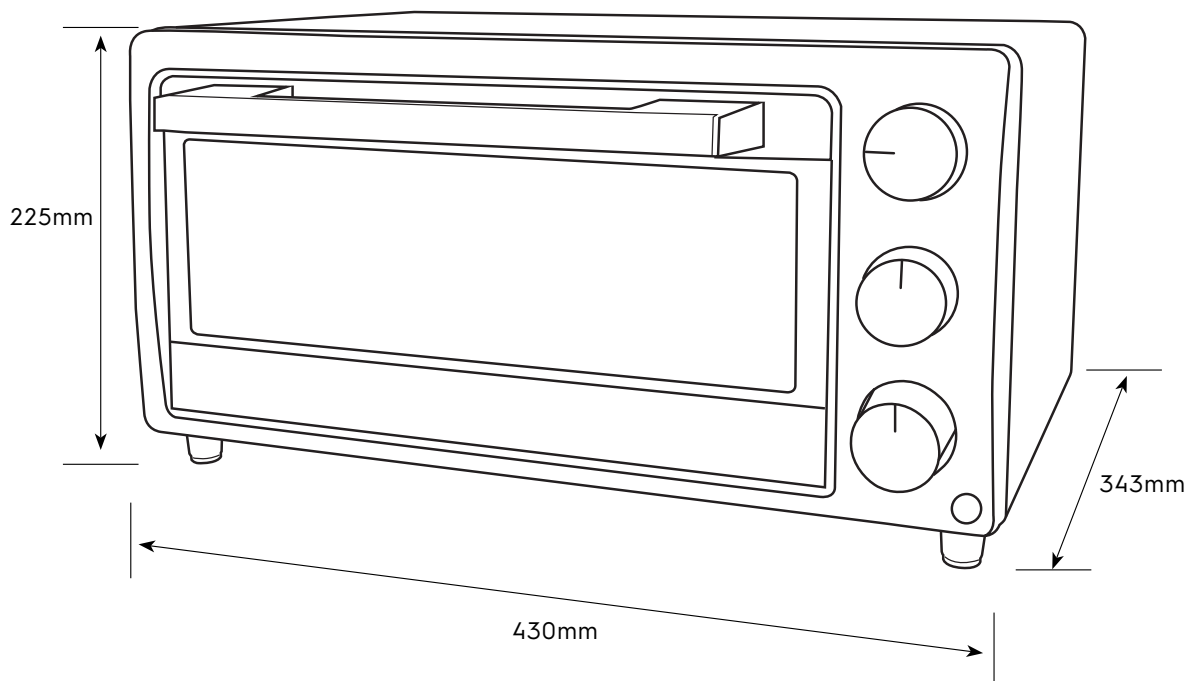
# Dimension Guide

## Freestanding electric oven

**Model:**  
EOT1513X

### Dimensions

	width	height	depth
Product (mm)	430	225	343



**Please note!** Dimensions to be used as a guide only. All customers MUST refer to the user manual supplied with the product for detailed installation instructions.  
© 2019 Electrolux Home Products Pty Ltd. E\_DIM\_EOT1513X\_Sep21