

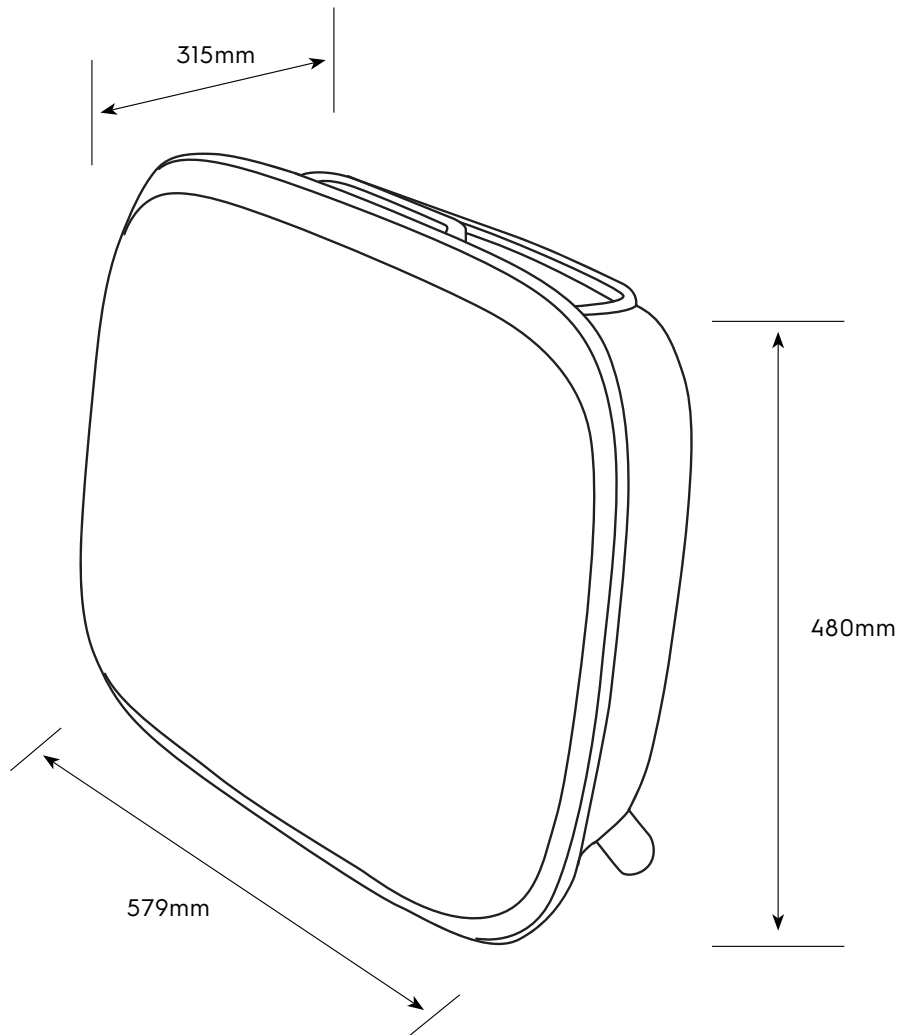
Dimension Guide

Dehumidifier

Model:
WA51-305WT

Dimensions

	width	height	depth
Product (mm)	579	480	315



Please note! Dimensions to be used as a guide only. All customers MUST refer to the user manual supplied with the product for detailed installation instructions.

© 2021 Electrolux S.E.A PTE. LTD. E_DIM_WA51-305WT_Oct21