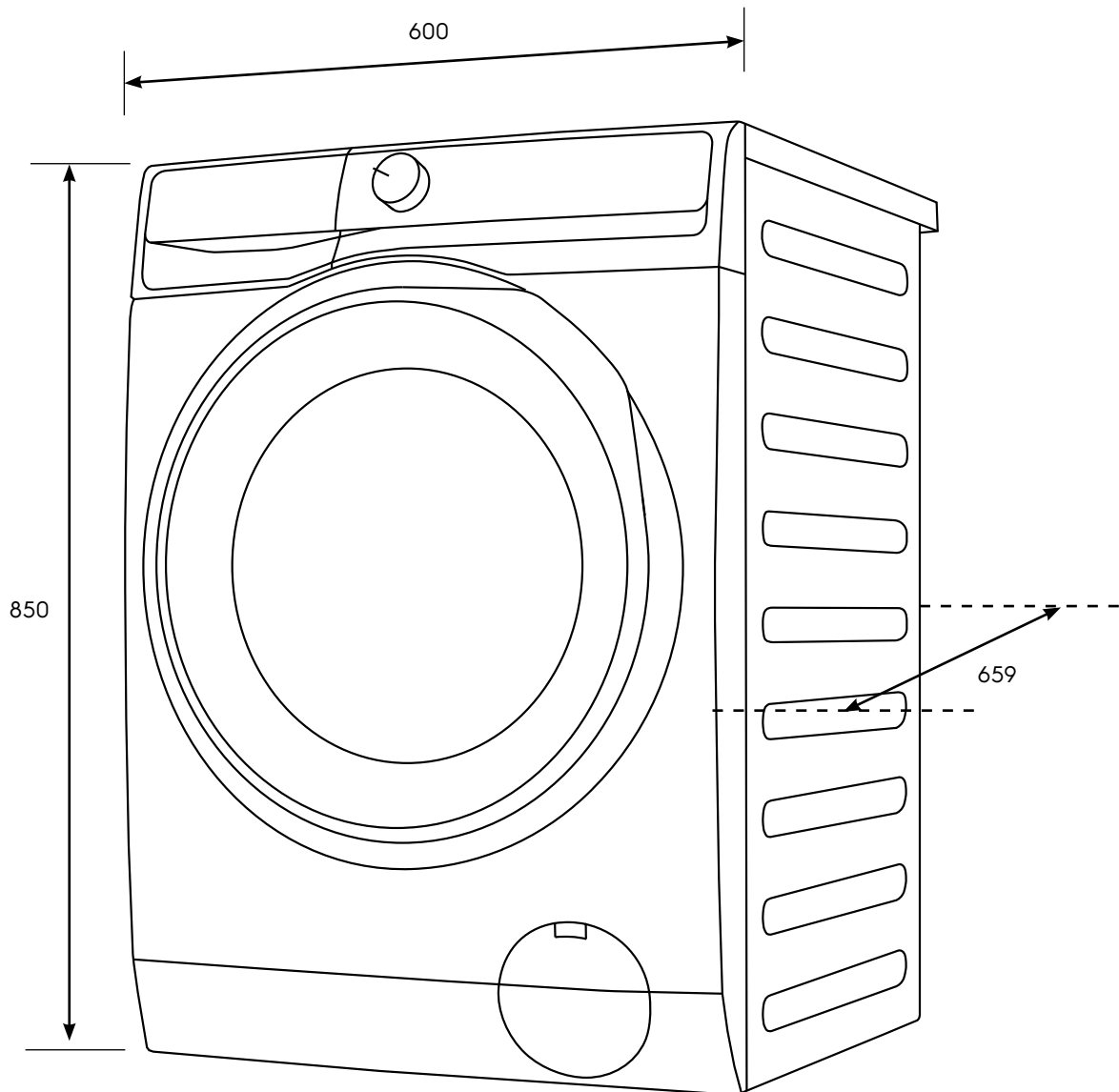


# Dimension Guide

## Washing machine

**Model:**  
EWF1142R9WC

Dimensions			
	width	height	depth
Product (mm)	600	850	659



**Please note!** Dimensions to be used as a guide only. All customers MUST refer to the user manual supplied with the product for detailed installation instructions.

© 2024 Electrolux S.E.A PTE. LTD. ELX\_DIM\_EWF1142R9WC\_TH\_Mar24