



**EWF10\*\*\*\*\***

**EWF11\*\*\*\*\***

**EWF13\*\*\*\*\***

**EN USER MANUAL | WASHING MACHINE**

2

**TH คู่มือการใช้งาน | เครื่องซักผ้า**

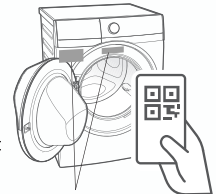
41

## Enjoy peace of mind. Register your appliance today.

Stay updated on better living services,  
safety notices and shop for accessories.

- 1. Open the camera app on your smartphone and point at the QR code to scan.**

Product Registration QR code is located on the front of your appliance or inside the door rim.



- 2. Tap the notification or link to open the registration form.**
- 3. Complete your details and enjoy peace of mind.**



Full version of the User Manual is available on [www.electrolux.com](http://www.electrolux.com). Alternatively, scan QR code, tap Electrolux logo, and search for your appliance.

## Welcome to Electrolux! Thank you for choosing our appliance.



Get usage advice, brochures, troubleshooter, service information, buy accessories & spare parts, online product registration:

[www.electrolux.com](http://www.electrolux.com)

### CUSTOMER CARE AND SERVICE

We recommend the use of original spare parts. When contacting Service, ensure that you have the following data available. The information can be found on the rating plate: Model Name, Product Number Code, and Serial Number.


 Warning / Caution-Safety information.

 General information and tips.

 Environmental information.

**Subject to change without notice.**

## CONTENTS

1. SAFETY INFORMATION	3
2. PRODUCT DESCRIPTION	6
3. TECHNICAL DATA	8
4. INSTALLATION	8
5. CONTROL PANEL	13
6. PROGRAMMES	15
7. SMARTSELECT, OPTIONS AND SETTINGS	18
8.  WI-FI CONNECTIVITY SETUP	21
9. BEFORE FIRST USE	23
10. DAILY USE	24
11. WASHING HINTS	28
12. INTERNATIONAL WASH CODE SYMBOLS	30
13. CARE AND CLEANING	31
14. TROUBLESHOOTING	36
15. ENVIRONMENT CONCERNS	40

## 1. SAFETY INFORMATION

### 1.1 Conditions Of Use

This appliance is intended to be used in household and similar applications such as:

- staff kitchen areas in shops, offices and other working environment;
- farm houses;
- by clients in hotels motels, and other residential type environments;
- bed and breakfast type environments;
- areas for communal use in blocks of flats or in laundrettes.

#### **WARNING!**


The appliance must not be supplied through an external switching device, such as timer, or connected to a circuit that is regularly switched on and off by utility.

In the interest of your safety and to ensure the correct use, before installing and first using the appliance, read this user manual carefully, including its hints and warnings.

To avoid unnecessary mistakes and accidents, it is important to ensure that all people using the appliance are thoroughly familiar with its operation and safety features.

Save these instructions and make sure that they remain with the appliance if it is moved or sold, so that everyone using it through its life will be properly informed on appliance use and safety.

## 1.2 Child Safety

- This machine is not intended for use by children or infirm persons without supervision.
- The children should be supervised to ensure that they do not play with the appliance.
- The packaging components (e.g. plastic film, polystyrene) can be dangerous to children—danger of suffocation! Keep them out of children's reach.
- Keep all detergents in a safe place out of children's reach.
- Make sure that children or pets do not climb into the drum.
- This machine is provided with lock option (  ) to prevent children playing with the control panel.

## 1.3 General Safety

- It is dangerous to alter the specifications or attempt to modify this product in any way.
- During high temperature wash programme the door glass may get hot. Do not touch it!
- Make sure that small pets do not climb into the drum. To avoid this, please check inside the drum before using the appliance.
- Any objects such as coins, safety pins, nails, screws, stones or any other hard, sharp material can cause extensive damage and must not be placed into the machine.
- Wash small items such as socks, laces, washable belts etc. in a washing bag or pillow case as it is possible for such items to slip down between the tub and the inner drum.
- Only use manufacturer's recommended quantities of fabric softener and detergent. Damage to the fabric or appliance can occur if you exceed the recommended amount.
- Do not use your machine to wash articles with whalebones, material without hems or torn material.
- Always unplug the appliance and turn off the water supply after use, clean and maintenance.
- This appliance is not intended for use by persons (including children) with reduced physical, sensory or mental capabilities, or lack of experience and knowledge, unless they have been given supervision or instruction concerning use of the appliance by a person responsible for their safety.
- Under no circumstances should you attempt to repair the machine yourself. Repairs carried out by inexperienced persons may cause injury or serious malfunctioning. Contact your local Service Centre. Always insist on genuine spare parts.
- Pre-treatment sprays and stain remover can damage plastic components on your machine. If you use pre-treatment sprays or stain removers, apply them to the clothing well away from your machine.

## 1.4 Installation


- This appliance is heavy. Care should be taken when moving it.
- When unpacking the appliance, check that it is not damaged. If in doubt, do not use it and contact the Service Centre.
- All packing and transit bolts must be removed before use. Serious damage can occur to the product and to property if this is not adhered to. See relevant section in section "Unpacking".
- After having installed the appliance, check that it is not standing on the inlet and drain hose and the worktop is not pressing the electrical supply cable.
- If the appliance is installed on a carpeted floor, please adjust the feet in order to allow air to circulate freely.
- Always be sure, that there is no water leakage from hoses and their connections after the installation.
- Any plumbing work required to install this appliance should be carried out by a qualified plumber.
- Any electrical work required to install this appliance should be carried out by a qualified electrician.

## 1.5 Use

- Only wash fabrics which are designed to be machine washed. Follow the instructions on each garment label.
- Do not overload the appliance. See the relevant section in the user manual.
- Before washing, ensure that all pockets are empty and buttons and zips are fastened. Avoid washing frayed or torn articles and treat stains such as paint, ink, rust, and grass before washing.
- Garments which have been in contact with volatile petroleum products should not be machine washed. If volatile cleaning fluids are used, care should be taken to ensure that the fluid is removed from the garment before placing in the machine.

- Never pull the power supply cable to remove the plug from the socket; always hold the plug itself.
- Never use the machine if the power supply cable, the control panel, the working surface, or when the base is damaged; and where the inside of the machine is accessible.
- If the supply cord is damaged, it must be replaced by the manufacturer, its service agent or similarly qualified persons in order to avoid a hazard.

## 1.6 Electrical Connection

 "An incorrect power supply may void your warranty."

Check that your domestic electrical installation can take the maximum load required from technical data, also taking into account any other appliances in use.

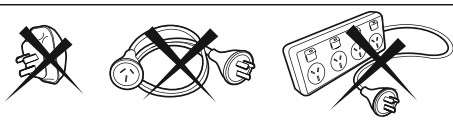
When the appliance is installed, the power supply cable must be easily accessible.

### **WARNING!**

May cause electric shock! If the machine is not connected to an earthed/ground system. DO NOT touch the wet clothes and metal parts. For safety reasons do not use double adapters, extension cords and multi-plug adapters.

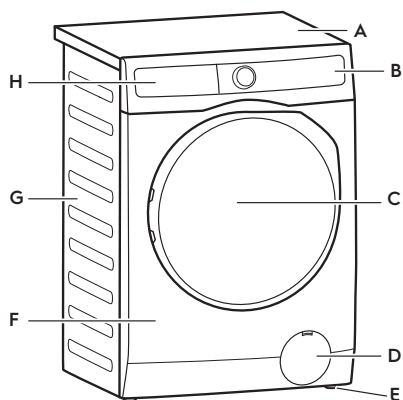
### **CAUTION!**

Connect the machine to an earthed socket outlet. The manufacturer declines any responsibility for damage or injury through failure to comply with the above safety precaution. Should the appliance power supply cable need to be replaced, this shall be carried out by our Service Centre.

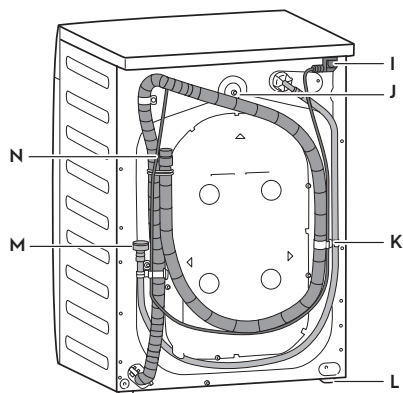


## 2. PRODUCT DESCRIPTION

### 2.1 General overview



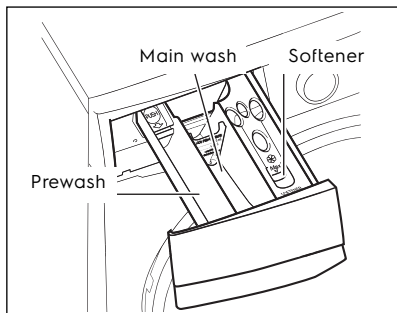
- A** Worktop
- B** Control Panel
- C** Door
- D** Drain Pump Filter
- E** Level Adjustment Feet
- F** Front Panel
- G** Cabinet



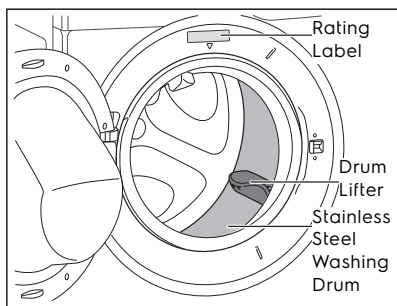
- H** Detergent/Softener Dispenser Drawer
- I** Mains Cable
- J** Transit Bolts
- K** Transit Bolts & Hose Support
- L** Level Adjustment Feet
- M** Water Inlet Hose
- N** Water Drainage Hose

### 2.1.1 Detergent/Softener Dispenser Drawer

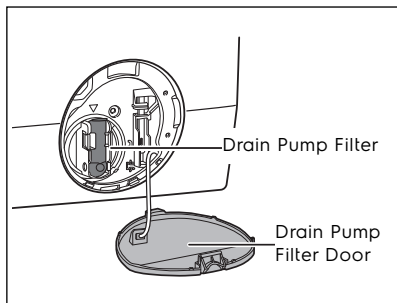
The detergent dispenser drawer compartment information, For details about using detergent and additives, see page 24.



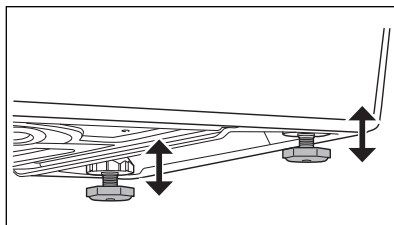
### 2.1.2 Door (when open)



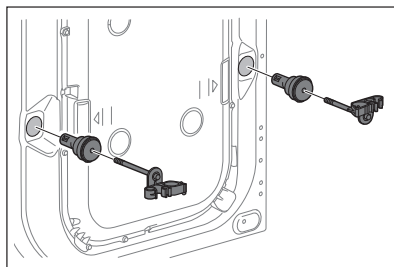
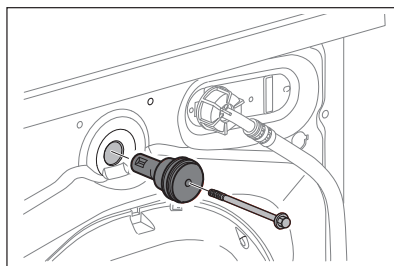
### 2.1.3 Drain Pump Filter (when open)



### 2.1.4 Level Adjustment feet



### 2.1.5 Transit Bolt (when remove)



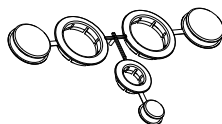
### ⚠ CAUTION!

Transit bolts must be removed before using the appliance.

## 2.2 Accessories

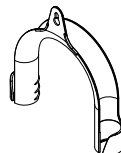
### Plastic Caps

To close the holes on the rear side of the cabinet after the removal of the transit bolts.



### Plastic Hose Guide

To connect the drain hose on the edge of a sink.



### 3. TECHNICAL DATA

<b>Dimensions (Height / Width / Depth)</b>	850 x 600 x 659 mm
<b>Power supply (Voltage / Frequency)</b>	220 - 240 V~/ 50 Hz
<b>Total power absorbed</b>	EWF10*****: 2000 W EWF11***** , EWF13*****: 2100 W
<b>Water supply pressure (Maximum / Minimum)</b>	0.8 MPa / 0.05 MPa
<b>Maximum Spin Speed</b>	1400 rpm

### 4. INSTALLATION

#### 4.1 Unpacking

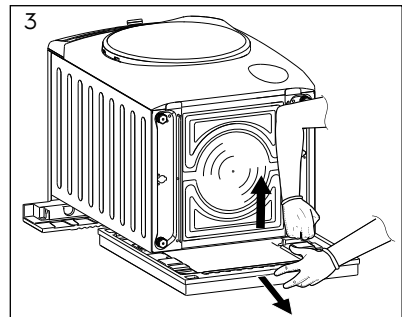
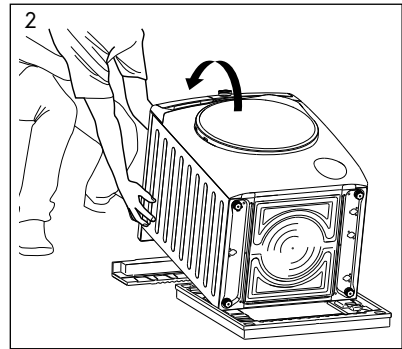
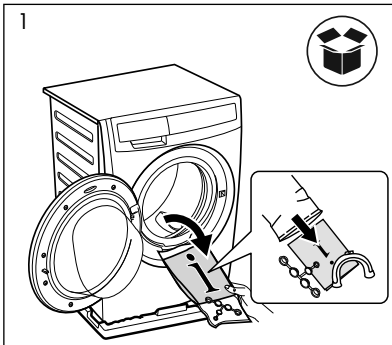
You are advised to keep all transit devices so that they can be refitted if the machine ever has to be transported again.

#### **⚠ WARNING!**

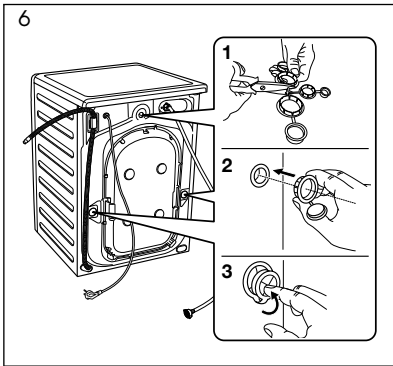
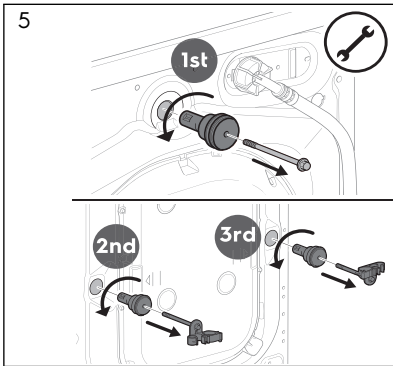
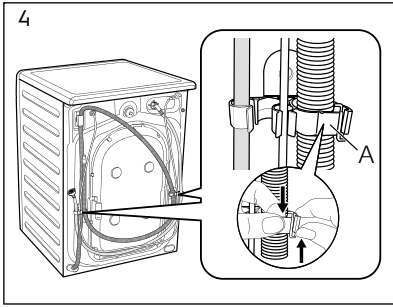
All transit bolts and packing must be removed before using the appliance. Requires using a wrench or hexagon head block number 10 to remove the transit bolts at all 3 points.

#### **⚠ CAUTION!**

Carefully put down the appliance with the rear side on it. Make sure not to damage the hoses.



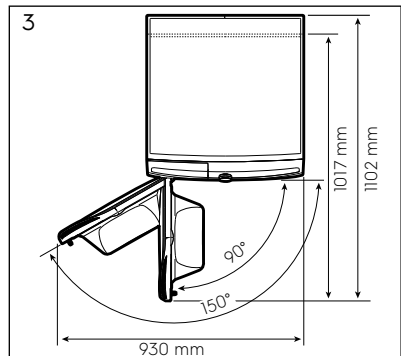
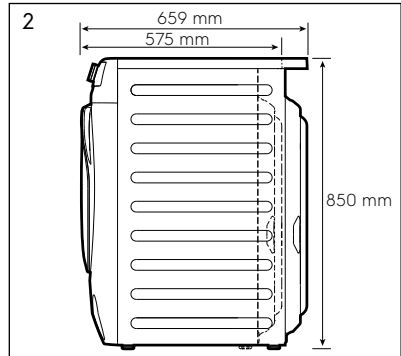
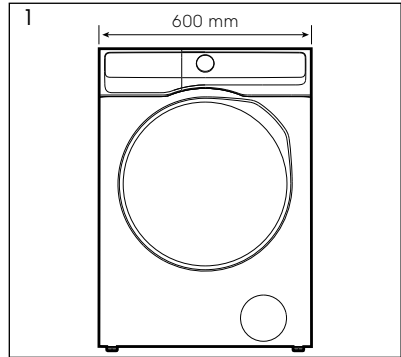


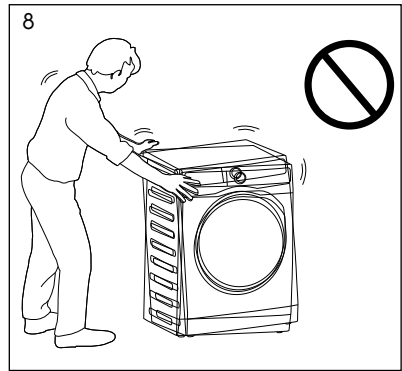
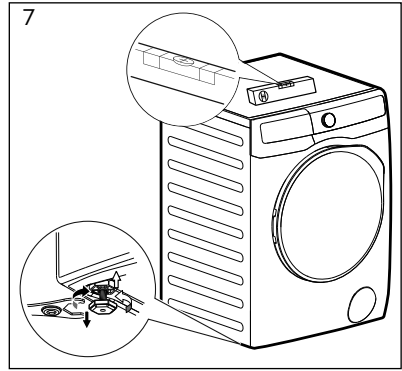
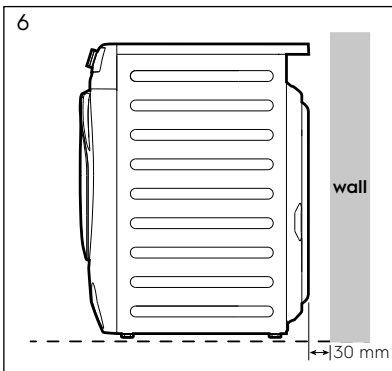
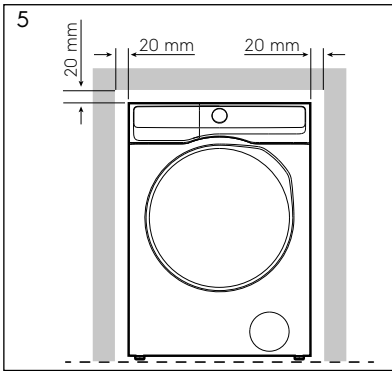
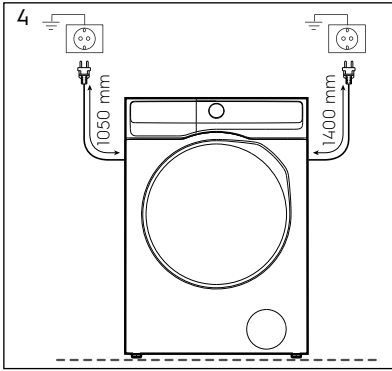


## 4.2 Positioning

### **⚠ WARNING!**

Before proceeding with installation, read the safety information, and dimension preferred.





**⚠ CAUTION!**

When installing the product make sure the levelling feet is not pressing on the power cord.

When the machine is levelled, try to rock it from corner to corner. If it does rock, adjust the legs again until it is levelled and does not rock.

Never place cardboard, wood, or similar materials under the machine to compensate for any unevenness in the floor. Install the machine on a flat hard floor. Make sure that air circulation around the machine is not impeded by carpets, rugs, etc.

The appliance must not be installed behind a lockable door, a sliding door, or a door with a hinge on the opposite side to that of the machine, in such a way that a full opening of the door is restricted.

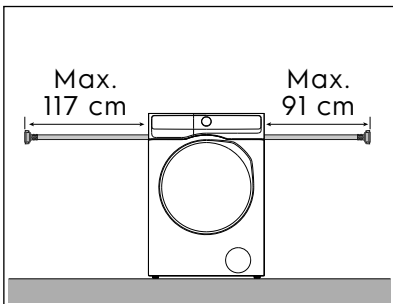
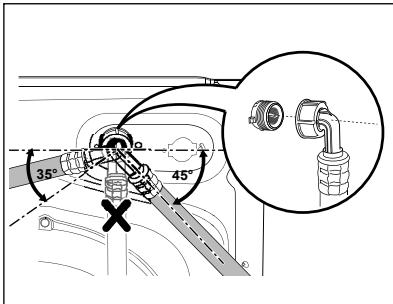
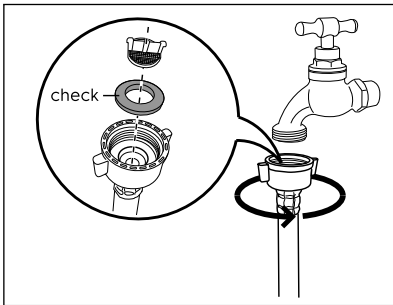
### 4.3 Water Inlet

Connect the water inlet hose to a tap with 3/4" BSP thread. Use the hose supplied with the machine. DO NOT USE OLD HOSES.

The inlet hose must not be lengthened. If it is too short and you do not wish to move the tap, you will have to purchase a new, longer hose specially designed for this type of use.

Loosen the ring nut to angle the hose to the left or right depending on the position of your water tap. Do not place the inlet hose downwards.

After positioning the inlet hose, be sure to tighten the ring nut again to prevent leaks.



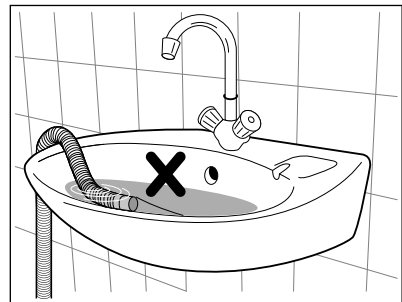
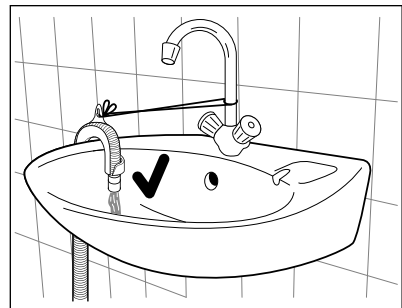
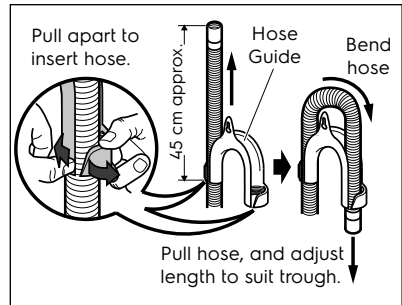
### 4.4 Water Drainage

The end of the drain hose can be positioned in three ways:

- **Hooked over the edge of a sink**, using the plastic hose guide supplied with the machine.

#### Fitting Hose Guide

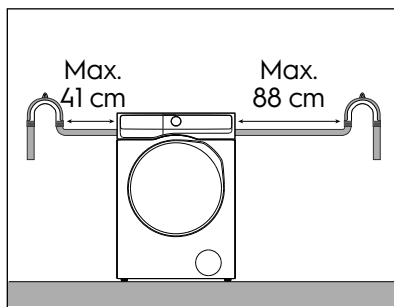
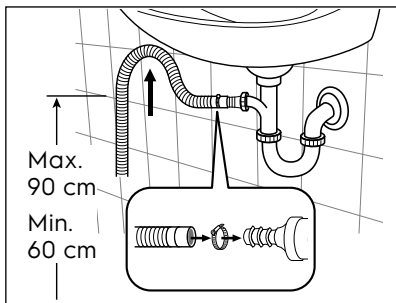
In this case, make sure the end cannot come unhooked when the machine is being emptied. This could be done by tying it to the tap with a piece of string or attaching it to the wall.



- **In a sink, drain pipe branch.**

This branch must be above the trap so that the bend is at least 60 cm above the ground.

Push the drain hose onto the spigot and secure with a clip, ensure a loop is formed in the drain hose to prevent waste from the sink entering the appliance.

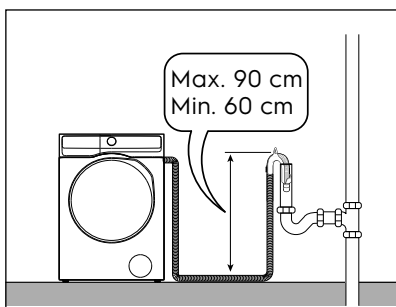


- **Directly into a drain pipe,** at a height of not less than 60 cm and not more than 90 cm.

The end of the drain hose must always be ventilated, i.e. the inside diameter of the drain pipe must be larger than the outside diameter of the drain hose.

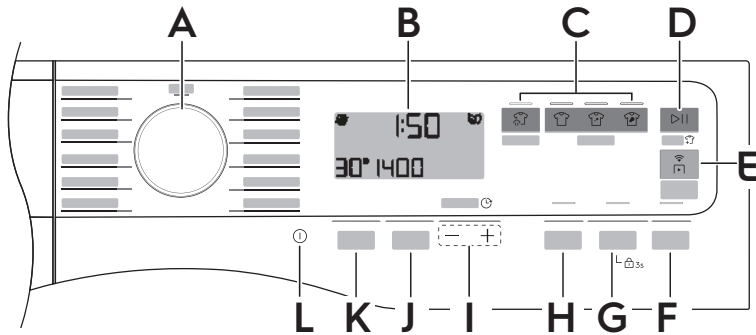
The drain hose must not be twisted or curled. Run it along the floor; only the part near the drainage point must be raised.

For the correct functioning of the machine, the drain hose must remain hooked on the proper support piece situated on the top part of back side of the appliance.



## 5. CONTROL PANEL





### 5.1 Control Panel Description



**A** Programme selector knob

**B** Display

**C** SmartSelect touch key

- Refresh touch key 
- Light touch key 
- Normal touch key 
- Intensive touch key 

**D** Start/Pause touch key  
(Add clothes option)

**E** Remote Start touch key

**F** Prewash touch key

**G** Hygienic Care touch key  
(Child lock option)

**H** Stain Pro touch key

**I** Finish In adjustment

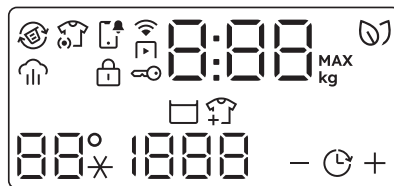
- + Plus touch key
- Minus touch key

**J** Spin touch key

**K** Temp touch key

**L** On/Off touch key

### 5.2 Display








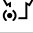
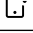






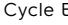
SmartLeaf feedback icon



Door locked icon



Stream icon

	Finish In icon
	Rinse Hold icon
	Add clothes icon
	Child Lock icon
	UltraMix icon
	SensorWash icon
	Notification icon
	Remote Start mode icon
	Wi-Fi connection icon
	The Temperature area:
	 Temperature icon
	-- * Cold water
<b>MAX</b>	Maximum load icon
	The spin area:
	Spin Speed indicator (- - -) No Spin indicator, Spin phase if off.
	The digital icon can show:
	<ul style="list-style-type: none"> <li>• Programme duration, washing phase</li> <li>• Delay time</li> <li>• Cycle End (  )</li> <li>• Warning and Error codes</li> </ul>

**i** The icon, function or phase names that appeared in this manual may differ from your product.

### 5.3 SmartLeaf feedback

SmartLeaf symbols give feedback on consumption, guiding the user to save energy, time and water.



**This feature will indicate levels of energy savings in a programme based on:**

1. Programme Duration with rated capacity
2. Energy consumption
3. Water consumption
4. Wash temperature

**SmartLeaf feedback is not affected by:**

1. Amount of loaded laundry
2. Spin speed selection

**There are three different level of SmartLeaf feedback indicated:**

1. No SmartLeaf (no icon in the display)
2. One leaf  icon
3. Two leaf  icon





- Prewash will reduce the SmartLeaf symbol by 1 leaf.
- Temperature = 40°C will reduce the SmartLeaf symbol by 1 leaf.
- Temperature > 40°C will reduce the SmartLeaf symbol by 2 leaves.

## 6. PROGRAMMES

### 6.1 Programme Chart

Programme; Temperature range	Max. Spin speed (rpm)	Max. Load (Dry Clothes)	Type of load and soil level
<b>Cottons;</b> Cold to 90°C	1400	Max <sup>1)</sup>	White cotton and coloured cotton. Normally, heavily and lightly soiled items.
<b>Eco Cottons;</b> 40°C and 60°C	1400	Max <sup>1)</sup>	Low energy cycle for cottons. Decreases temperature and extends time to reach good washing results.
<b>DelicatesPlus;</b> Cold to 40°C	1200	EWFI0****** 4 kg	Delicate fabrics. Thin cottons, acrylics, viscose and polyester.
		EWFI1****** 5 kg	
		EWFI3****** 5 kg	
<b>Baby Care;</b> Cold to 40°C	1200	4 kg	Special quick cycle for baby items with good washing and rinsing performance.
<b>Bedding;</b> Cold to 60°C	800	3 kg	Washing cycle for three bed linen sets.
<b>Sanitise;</b> 60°C	1400	Max <sup>1)</sup>	White cotton items. This high performance wash programme combined with steam vapour, removes more than 99,99% of bacteria and viruses <sup>2)</sup> keeping the temperature above 60°C throughout the washing phase; with an additional action on the fibres thanks to a vapour phase, an enhanced rinsing phase ensures a proper removal of detergent and micro-organism residues. This programme ensures also a proper reduction of pollens/allergenic items.

Programme; Temperature range	Max. Spin speed (rpm)	Max. Load (Dry Clothes)	Type of load and soil level
<b>Spin</b>	1400	Max <sup>1)</sup>	To spin the laundry and to drain the water in the drum. All fabrics, except woollens and delicate fabrics.
<b>Rinse + Spin</b>	1400	Max <sup>1)</sup>	All fabrics, except woollens and very delicate fabrics. Programme for rinsing and spinning the laundry. The default spin speed is the one used for cotton programmes. Reduce the spin speed according to the type of laundry. The appliance performs delicate rinses and a short spin with a low spin speed.
<b>Wool</b>  ; Cold to 40°C	1200	EWF10***** 2 kg EWF11***** EWF13***** 3 kg	Machine washable wool, hand washable wool and other fabrics with "hand washing" care symbol.
<b>Sports;</b> Cold to 40°C	1200	4 kg	Sport wear, synthetic fibres like polyester, polyester/elastane blends, polyamide. Suitable to remove sweat and body soil from technical sport garments.
<b>Quick 15;</b> Cold to 30°C	1200	1.5 kg	Lightly soiled synthetics or mixed fabrics.
<b>IntelliQuick;</b> Cold to 30°C	1200	Max <sup>1)</sup>	Light to normal soiled coloured cottons. Automatic cycle time adjustment base on load size.
 <b>(App Favourite)</b>	-	-	Recall your favourite programme.

1) Maximum capacity depends on a sticker in front of the machine.

Model: EWF1043R7WC 10 kg, EWF1043R7SC 10 kg, EWF1143R7SC 11 kg, EWF1343R7WC 13 kg

2) Tested for Staphylococcus aureus, Enterococcus faecium, Candida albicans, Pseudomonas aeruginosa and MS2 Bacteriophage in external test performed by Swissatest Testmaterialien AG in 2021 (Test Report No. 202120117).

## 6.2 Woolmark Apparel Care - Blue






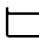

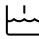

The wool wash cycle of this machine has been approved by The Woolmark Company for the washing of wool garments labelled as "hand wash" provided that the products are washed according to the instructions on the garment label and those issued by the manufacturer of this washing machine.

**Model:** EWF1043R7WC, EWF1043R7SC, EWF1143R7SC; M1361

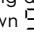
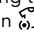
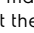
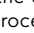
**Model:** EWF1343R7WC; M2423



## 6.3 Programme Options Compatibility

Options		Programme											
		Coltons	Eco Coltons	DelicatesPlus	Baby Care	Bedding	Sanitise	Spin	Rinse + Spin	Wool	Sports	Quick 15	IntelliQuick
SmartSelect		■		■		■				■	■	■	
		■	■	■	■	■				■	■		■
		■		■	■	■	■				■		
--- No Spin		■	■	■	■	■		■	■	■	■	■	■
 Rinse Hold		■	■	■	■				■	■	■	■	■
Refresh		■		■	■	■					■	■	■
Stain Pro		■	■	■	■	■							
 Hygienic Care <sup>1)</sup>		■	■	■	■	■							
 Prewash		■	■	■	■							■	
SensorWash <sup>2)</sup>		■		■	■	■						■	
 Finish In		■	■	■	■	■	■	■	■	■	■	■	■

1) "Hygienic Care" option can be combined with temperature 40 to 90°C only.

2) The SensorWash always active, intelligently assesses the dirt and detergent residue in your laundry. The SensorWash adjusts the washing time and rinse cycles to match the load. This not only ensures optimal cleanliness but also helps prevent damage to your clothes, thereby extending their lifespan. However, this feature can be deactivated by pressing and holding touch keys "Hygienic Care" and "Prewash" for about 3 seconds the display had shown , then  icon goes off. Please note that turning off the SensorWash feature may affect the efficiency of your washing cycle. To reactivate the SensorWash feature, simply repeat the same process, then  and  icon successive come on.

## 7. SMARTSELECT, OPTIONS AND SETTINGS

### 7.1 SmartSelect

This new feature has been created to guide the user to save energy, time and water, with the aim of improving the sustainability of cycles, the care and maintenance of fabrics and consumer experience.

For each washing cycle it is possible to have different durations and consumption, based on the level of soiling of the laundry.

**There are possible options:**

#### 1. Refresh

With this SmartSelect level the user selects Refresh programme.

It can reduce wrinkles and light odours and will refresh clothes that does not need a wash.

#### 2. Light

This option is recommended for very lightly soiled clothing, without visible stains. The suggested temperature is cold.

#### 3. Normal


This option is ideal for everyday light soiled clothes, with small stains for example sweat. The suggested temperature is 30°C.


#### 4. Intensive

This option is recommended for normal/ heavy soiled clothes, with for example food spills or mud.

To activate one of this options turn the dial to select the desired programme. The default soil level icon light on.

**To change it tap on the related icon.**


 Every SmartSelect level can modify temperature, spin speed and programme duration of the selected cycle.

 If a certain soil level is not available, pressing it will generate an error, a double beep and symbol blinks twice.

### 7.2 Options


#### Temperature Touch key

Touch this touch key repeatedly to increase or decrease the wash temperature if you want your laundry to be washed at a temperature different from the one proposed by the machine. ( - - \* corresponds to cold wash).



 Tapping on the SmartSelect level could change the selected temperature. SmartSelect level could automatically change, according to the temperature selected.

#### Spin Touch key

Press this touch key repeatedly to increase or decrease the spin speed or select Rinse Hold, if you want your laundry to be spun at a speed different from the one proposed by the machine.

- **No Spin ( - - - )**  
No spin option eliminates all the spin phases and increase the number of rinses.
- **Rinse Hold (  )**  
By selecting this option the water of the last rinse is not emptied out and the drum turns regularly to prevent the laundry creases.

The door is still locked to indicate that the water must be emptied out.

 The door stays locked with the water in the drum. To continue the cycle, you must press  (Start/Pause).

## Hygienic Care Touch key

Select this option to add approximately 30 minutes of tumbling in vapour after the rinse cycle. The indicator of this option will be on.

- Vapour may not necessarily be visible inside the drum during a vapour cycle. Vapour is created below the drum and allowed to naturally rise into the clothes.
- Vapour may not be present during the entire vapour cycle.
- At the end of the Vapour cycle, the clothes will be warmer, softer and detached from the drum.

**i** If Vapour option is selected, rinse temperatures will be elevated. During a vapour cycle, you may notice vapour exiting from the drain hose of the machine, this is normal and there is no cause for alarm.

## Prewash Touch key

Select this option if you wish your laundry to be pre-washed before the main wash. Use this option for heavy soil. The indicator of this option will be on.

When you set this function, put the detergent into the prewash compartment. This function increase the programme duration.

## Stain Pro Touchpad

Press this touchpad to add the stain phase to a programme. The indicator of this option comes on.

Use this function for laundry with hard stains to remove.

When you set this function, put the stain remover into prewash compartment.

## Remote Start Touchpad ( )

This option allows you to connect machine to Wi-Fi network and to link it to your smart phone.

By this functionality you can receive notifications, control and monitor your machine from your mobile devices.


**Please refer to chapter "  WI-FI CONNECTIVITY SETUP".**

**i** When the door is open, remote functions are disabled.

## Finish In Touch key

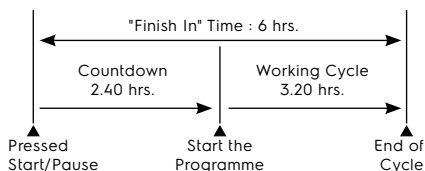
Before you start the programme, this option makes it possible to define the end of the washing programme from minimum of 1 hour to maximum of 24 hours.

**i** If programme duration is longer than 3 hours, minimum Finish In option starts from 4 hours.

This button allows activating the Finish In  + option and by mean of the **Plus** (+ increase) and **Minus** (— decrease) touch key it is possible to choose the time within which a programme should terminate. The programme end can be postponed by 1 hour every + touch key. The option time can be removed by pressing — touch key until 0.

**i** This option must be selected after choosing the wash programme, and before pressing the "Start/Pause" touch key.


For example, if the programme duration of your selected programme is 3.20 hours and you define the "Finish In" time to 6 hours. This means your wash programme will finish in 6 hours. (See diagram)



After selecting Finish In time, press Start/Pause touch key to start the programme. Machine will then countdown and update time on the display every hours until it reaches the starting point of the wash cycle.

If you wish to cancel these option after starting:

1. Press Start/Pause touch key to pause machine.
2. Press On/Off touch key to power off and power on again.

**i** After machine start, it can not pause the machine and press finish in touch key to decrease finish in time to "  ".


## 7.3 Settings

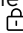
### Child Lock Option

Your appliance is provided with CHILD SAFETY LOCK which permits you to leave the appliance unsupervised with the door closed without having to worry that children might be injured by or cause damage to the appliance.

**i** Set this option after pressing the Start/Pause touch key.

#### To set "Child Lock" option:

- To activate the option, press and hold "Hygienic Care" touch key about 3 seconds until the display shows the icon "  ".

**i** If you press any touch key while Child Lock is activated, the icon "  " will flash on display 3 times along with buzzer sound.

This function remains enabled even after the appliance is switched off.

- To deactivate the option, press and hold this touch key until the icon goes off.

### Save App Favourite Programme

**i** Enabled only by enabling Remote Start mode.

Programme settings that are frequently used can be saved (e.g. Cottons, 60°C, 1200 rpm, with Prewash and Hygienic Care).

To programme/re-programme Favourite with your own selections and save them, proceed as follows:

1. Turn on the machine.
2. Connect the machine with Wi-Fi network and our app.
3. Select your desired wash settings, then save. (following guide in our app)

To recall the favourite programme, turn selector knob to "  " position.



Your favourite programme showing in the display.

Tapping Start/Pause touch key to start the programme.

### Enabling/Disabling End-Of-Wash Buzzer

This setting permits you to either enable or disable the buzzer at the end of the programme. As an example, you might wish to disable this buzzer when you start a wash when going to bed, so that when the wash finished approximately 1 hour later, it will not disturb you through the night

**i** Error warning beeps such as critical faults are not disabled.

- To disable the buzzer sound, press "Temp" and "Spin" touch keys at the same time until the icon "  " will show on display along with buzzer sound.
- To return to default configuration press these 2 touch keys at the same until the icon "  " will show on display along with buzzer sound.

## 7.4 Start/Pause (▷||) and Add Clothes (👕) Touch key

This touch key has 2 functions:

### 1. Start/Pause (▷||)

After you have selected the desired programme and options, press this touch key to start the machine. The Start/Pause pilot light will stop flashing and remain lit. If you have selected a "Finish In" option, the countdown will begin and will be shown on the display.

To interrupt a programme which is running, press this touch key to pause the machine, the Start/Pause pilot light flashes.

To restart the programme from the point at which it was interrupted, press this touch key again, the Start/Pause pilot light will stop flashing.

### 2. Add Clothes (👕)

ⓘ You can only add clothes when the icon "👕" shown on the display.

1. Pressing the "Start/Pause" touch key to pause the programme.
2. Wait for the machine to come to a complete stop before opening the door (wait for door lock "🔒" icon to turn off).
3. Add clothing and close the door.
4. Resume the programme by pressing "Start/Pause" touch key again.

## 8. 📶 WI-FI CONNECTIVITY SETUP

ⓘ The software in this product contains components that are based on free and open source software. Electrolux gratefully acknowledges the contributions of the open software and robotics communities to the development project. To access the source code of these free and open source software components whose license conditions require publishing, and to see their full copyright information and applicable license terms, please visit: <http://electrolux.pensofwarerepository.com> (folder NIUS)

This chapter describes how to connect the smart appliance to the Wi-Fi network and to link it to a mobile devices.

By this functionality you can monitor and control your laundry appliance from your mobile devices.

To connect the appliance to enjoy the full range of features and services you need:

- Wireless network at home with internet connection enabled.
- Mobile device connected to wireless network.

<b>Frequency/ Protocol</b>	Wi-Fi: 2.4 GHz / 802.11 bgn
<b>Max Power</b>	Wi-Fi 2.4 GHz: < 20 dBm
<b>Encryption</b>	WPA, WPA2, WEP

### 8.1 Download, installing our app

1. Go to the App Store/Play Store, download and install our app on your smart device.




**i** Minimum requirements: iPhone6/iOS 9.3/Android 5.1 and above. You will need to install our app, create an account, and accept the Terms and Conditions and Electrolux's Privacy Policy in the app to use the connected features of the laundry appliance. Internet and Wi-Fi connections are required to use the full features of the App and the laundry appliance. Minimum requirements, apps, and services are subject to change without notice.

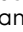

2. Create an account. This account can be shared across multiple devices.

## 8.2 Wi-Fi network connection


### Turning On Wi-Fi


To connect the appliance to a Wi-Fi network, tap and hold the Remote Start  Mode touch key for 5 seconds. This action will open up the access point (goes to AP mode). If it is not previously provisioned, it will start the provisioning process.

When the access point is open, if there is a new network credential provided, it will replace any network credentials previously saved. If not, it will keep connecting to the previously saved network.

During this phase, the display shows only Wi-Fi icon  and "AP" message while all other indicator on control panel are Off. The Wi-Fi icon  will start blinking.


When the access point is open, the display will show "AP".

Wi-Fi icon  continues to blink until it is connected to the home network.

Once provisioning is successfully concluded, a sound will play and the Wi-Fi icon  lit steadily.

**i** During the time when Wi-Fi and access point is turning On, pressing any key buttons will play the error jingle.


### Connect your machine with our app, following setting process in application.

Once connected, tapping on the Remote Start  Mode touch key On will enable users to be able to start cycles remotely on the our app.


### Auto connection to registered network

Once the appliance has been successfully set-up and registered to the home network, every time it is powered On, it will try to connect to the network automatically. There will not be any sound when Wi-Fi connection is successful.

### Connecting to a different network (Reopening Access Point)

Every time user tap and hold Remote Start  Mode touch key for 10 seconds, the access point will be open and broadcasted. New network credentials received at this point will overwrite previously saved credentials, and the appliance then connects to the new Wi-Fi network.

### Turning Off Wi-Fi

If the user decides to no longer connect the appliance to Wi-Fi, he can tap and hold Remote Start  Mode touch key for 10 seconds and the appliance will reset and turn off.

The display shows only "Fn" for 5 seconds while all other indicators on control panel are Off.

After reset, the display goes back to initial state, with Wi-Fi icon  turned off.

### 8.3 Over-the-air update

The application may propose an update for downloading new features.

The update is accepted via app only.

If a programme is running, the app notifies that the update will start at the end of the programme.

During the update, the appliance shows **UPD** in the display.


The appliance will be usable again at the end of the update, without any notification about a successful update.

If an error occurs, the appliance shows **ERR** in the display: just press any buttons or turn the knob to return to normal use.


### 8.4 Wi-Fi Always On

The Wi-Fi Always On function is available in our app.


This function keeps the appliance connected to the network even when the appliance is turned off.

The icon  goes on and off intermittently.

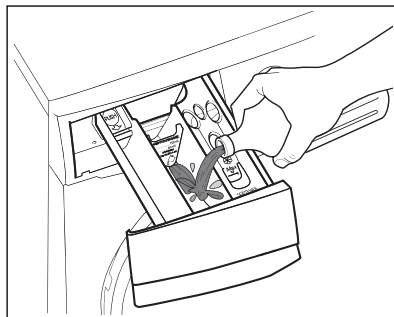
It is possible to turn the appliance on by pressing the On/Off button or through the our app.


 The Wi-Fi Always On function may affect your energy consumption.

## 9. BEFORE FIRST USE

 During installation or before first use you may observe some water in the machine. This is a residual water left in the machine after a full functional test in the factory to ensure the machine is delivered to customers in perfect working order and is no cause for concern.

1. Ensure that the electrical and water connections comply with the installation instructions.
2. Put 2 litres of water in the detergent compartment for washing phase. This activates the drain system.
3. Select a Cottons cycle at 90 °C, without any laundry in the machine, to remove any manufacturing residue from the drum and tub then start the machine.



 The Figures that take place in this manual are schematic and may not correspond exactly with your product. If the subject parts are not included in the product you have purchased, then it is valid for other models.

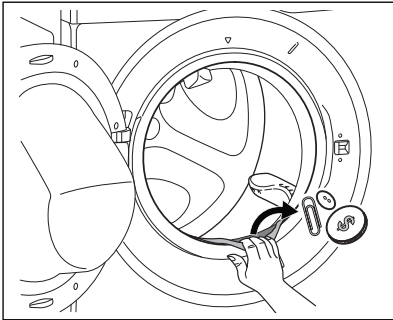
## 10. DAILY USE

### 10.1 Loading The Laundry

1. Turn the water tap on.
2. Connect the main plug to the main socket
3. Press the On/Off touch key to turn on the machine. Turn the knob to set a programme. The machine will propose a temperature and automatically select the spin speed provided for the programme you have chosen.

The selector knob can be turned either clockwise or counter-clockwise.

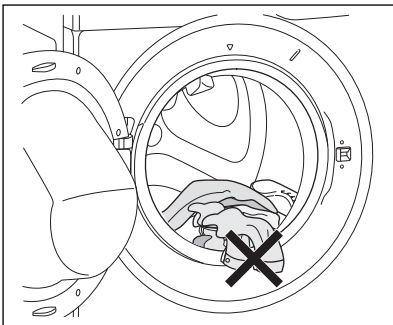
4. Check and remove objects (if there are any) that could be trapped in the fold.



5. Place the laundry in the drum, one item at a time, shaking them out as much as possible. (Refer to chapter "WASHING HINTS", page 28)
6. Close the door.

#### **! WARNING!**

Make sure that no laundry remains between the seal and the door.

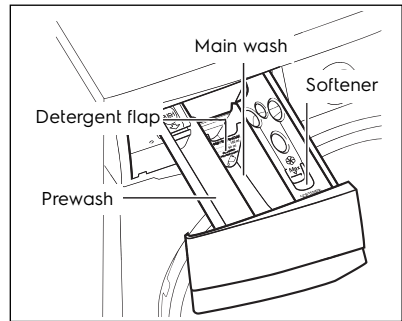


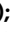
### 10.2 Using Detergent And Additives

**i** Please refer to section "Detergents Type and Quantity of Detergent" page 29 before use.

**i** The Figures that take place in this manual are schematic and may not correspond exactly with your product. If the subject parts are not included in the product you have purchased, then it is valid for other models.

1. Detergent Dispenser Drawer.  
The detergent dispenser is divided into three compartment.



- **Compartment "PREWASH"**  
This compartment is only used for detergent when a "Prewash" option is selected.
- **Compartment "MAIN WASH"**  
This compartment is used for detergent on all programmes.
- **Compartment "SOFTENER"**  
This compartment is used for fabric conditioner and starching agent.
- **Detergent flap (  );**  
Flap before input a powder or liquid detergent.



**Position down:** for liquid detergent.





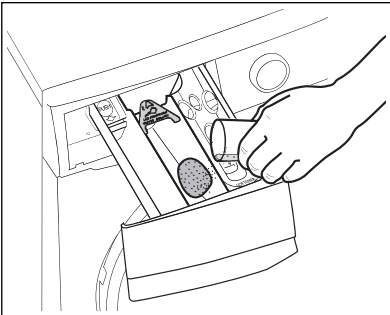
**Position up:** for powder detergent

**i** When you use the liquid detergent.

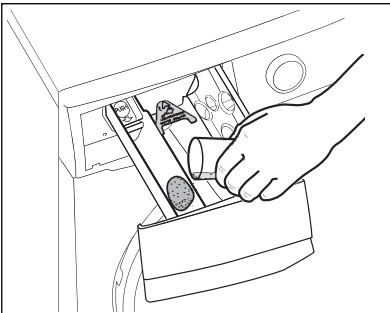
- Do not use gelatinous or intense liquid detergents.
- Do not put more liquid than the maximum level.
- Do not set the "Prewash" phase.
- Do not set the "Finish In".

2. Measure out the detergent and the fabric softener;

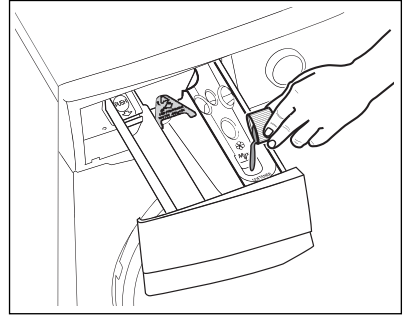
- Pull out the dispenser drawer until it stops.
- Measure out the amount of detergent required, pour it into the main wash compartment.



- If you wish to carry out the "Prewash" phase, pour it into the Prewash compartment.



- If required, pour fabric softener into the Softener compartment.



- Close the drawer gently.

**i** The softener amount used must not exceed the "MAX" mark in the drawer.

If you use intense softeners it is recommended to dilute with water.

Residues of detergent, softener and water may remain in the dispenser. It is recommended to clean the dispenser regularly to remove any residue.

### 10.3 Options Setting

1. If you want your laundry to be spin or use temperature different from the one proposed by the machine, press "Spin" and "Temp" touch keys repeatedly to change the spin speed and temperature.  
Press the option touch keys, if you want your laundry to be washed with special functions.

**i** Different functions can be combined which is dependent on the programme selected.

If an option is not compatible with the wash programme selected, the symbol "- - -" will flash on display along with buzzer sound.

2. If you want to define the end of the washing programme, press the "Finish In" touch key repeatedly to choose your machine working time.

## 10.4 Starting A Cycle (▷||)

To start a programme, press the Start/Pause touch key. The corresponding pilot light will stop flashing and a default programme duration will be displayed on the screen.

After approx. 15 minutes from the start of a programme:

- The appliance will automatically adjust the selected programme duration according to the type and size of the load.
- The display will show adjusted programme duration.

**i** If you press any touch key while a programme is operating, the symbol " - - - " will flash on display along with buzzer sound. (except Start/Pause touch key and On/Off touch key)

## 10.5 Interruption Of A Programme

- To pause, press Start/ Pause. The indicator will start flashing.
- Press the Start/Pause again. The programme will continue.

## 10.6 Changing A Programme

Changing a running programme **is possible only by switching off** the appliance.

- Press the "On/Off" touch key to cancel the programme and to turn off the appliance.
- Press the "On/Off" touch key again to turn on the machine.

Now you can set a new wash programme and change any available options. Press Start/Pause to start the new programme.

**i** The appliance will not drain the water (except programmes; Sanitise, Spin, Tub Clean).

## 10.7 Changing The Options

It may be possible to change some of the options after a wash programme has started.

1. Press the Start/Pause touch key. The indicator will start flashing.
2. If available change the options that you wish.
3. Press Start/Pause again. The programme will continue.

## 10.8 Opening The Door

While a programme or the Finish In is operating, the appliance door is locked and the display shows the indicator "☞".

First, set the machine to PAUSE by pressing the "Start/Pause" touch key. Wait until the door lock indicator goes off, then the door can be opened.

If the door lock icon "☞" does not disappear, this means that the machine is already heating and the water level is above the bottom edge of the door or the drum is turning. In this case the door CAN NOT be opened. If you need to open it, you must drain the water to open the door.

In case of Remote Start (☺) option is activated, when program cycle end and anticrease phase is complete. The door will remain locked for 5 minutes, if you want to open the door at that time, press Remote Start (☺) touch key once to turned off function then the door is unlocked.

### **⚠ WARNING!**

In case of emergency please refer to section "Emergency door opening" on page 39.

## 10.9 At The End Of The Programme

- The appliance stops automatically.
- The acoustic signal will operate.
- The display will show "0:00".
- The indicator of the touch key Start/Pause goes off.
- The door lock icon "🔒" goes off.
- Remove the laundry from the appliance. Make sure that the drum is empty.
- Keep the door partly open, to prevent mildew and odours.
- Turn off the water tap.

**i** At the end of the programme, the time remaining can suddenly decrease from 7 minutes or less to 0 due to the overestimated total programme time during the load sensing phase. In some cases (with perfectly balanced load) the programme time can be shorter than the time estimated after the load sensing phase is completed. This is a normal behaviour of the machine and not a cause for concern as it does not compromise its performance.

## 10.10 When The Washing Programme Is Completed, But There Is Water In The Drum

(Option "Rinse Hold"  is used.)

- The drum turns regularly to prevent the creases in the laundry.
- The indicator "Start/Pause" flashes to remind you to drain the water.
- The door lock icon "🔒" is on. The door stays locked.

**i** You must drain the water to open the door.

### To drain the water:

1. Press the "Start/Pause ▷|I" touch key. The appliance drains the water and spins with the maximum spin speed for selected programme.

**Alternatively**, before pressing the "Start/Pause" touch key, you can press the "Spin" touch key to change the spin speed. You can select "No Spin (---)", if you want the machine to only drain the water.

2. When the programme is completed and the door lock icon "🔒" goes off, you can open the door.
3. Press "On/Off" touch key to deactivate the appliance.

**i** After approximately 18 hours, if you do not press Start/Pause touch key, the appliance will drain and spin automatically.

## 10.11 AUTO Off Mode

The AUTO Off mode automatically deactivates the appliance to decrease the energy consumption when:

- You do not press any touch key for 5 minutes before you press "Start/Pause".
  - Press "On/Off" touch key to activate the appliance again.
- After 5 minutes from the end of the washing programme.
  - Press "On/Off" touch key to reactivate the appliance. Display will show the end of the last wash.
  - Press any touch key again to show the last wash programme.

# 11. WASHING HINTS

## 11.1 Sorting The Laundry

Follow the wash code symbols on each garment label and the manufacturer's washing instructions. Sort the laundry as follows: whites, coloureds, synthetics, delicates, woollens.

## 11.2 Temperatures

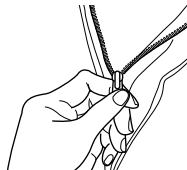
Temp	Soil level
90°C	For normally soiled white cottons and linen (e.g. tea cloths, towels, tablecloths, sheets...).
60°C 50°C	For normally soiled, colourfast garments (e.g. shirts, night dresses, pyjamas...) in linen, cotton or synthetic fibres and for lightly soiled white cotton (e.g. underwear).
40°C 30°C Cold	For delicate items (e.g. net curtains), mixed laundry including synthetic fibres and woollens bearing the label pure new wool, machine washable, non-shrink.

## 11.3 Before Loading The Laundry

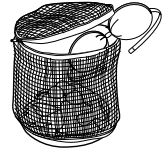
- Make sure that no metal objects are left in the laundry (e.g. coin, hair clips, safety pins, pins).



- Button up pillowcases, close zip fasteners, hooks and poppers. Tie any belts or long tapes.



- Wash bras, pantyhose and other delicates in a mesh laundry bag, which you can purchase from your supermarket.
- Make sure that you wash lint collectors separately from lint producers.
- Never wash whites and coloured fabrics together. Whites may lose their "whiteness" in the wash. New coloured items may run in the first wash; they should therefore be washed separately the first time.
- Remove persistent stains before washing.
- Rub particularly soiled areas with a special detergent or detergent paste. Treat curtains with special care. Remove hooks or tie them up in a bag or a net.



## 11.4 Maximum Loads

Recommended loads are indicated in the programme chart on page 15.

General rules:

Clothes Load	Quantity
Cotton, linen	drum full but not too tightly packed;
Synthetics	drum no more than half full;
Delicate fabrics and woollens	drum no more than one third full.

Washing a maximum load makes the most efficient use of water and energy. For heavily soiled laundry, reduce the load size.

## 11.5 Removing Stains

Stubborn stains may not be removed by just water and detergent. It is therefore advisable to treat them prior to washing.

**Blood:** treat fresh stains with cold water. For dried stains, soak overnight in water with a special detergent then rub in the soap and water.

**Oil based paint:** moisten with benzine stain remover, lay the garment on a soft cloth and dab the stain; treat several times.

**Dried grease stains:** moisten with turpentine, lay the garment on a soft surface and dab the stain with the fingertips and a cotton cloth.

**Rust:** oxalic acid dissolved in hot water or a rust removing product used in cold water. Be careful with rust stains which are not recent since the cellulose structure will already have been damaged and the fabric tends to hole.

**Mould stains:** treat with bleach, rinse well (whites and fast coloureds only). Grass: soap lightly and treat with bleach (whites and fast coloureds only).

**Ball point pen and glue:** moisten with acetone (\*), lay the garment on a soft cloth and dab the stain.

**Lipstick:** moisten with acetone (\*) as above, then treat stains with methylated spirits. Remove any residual marks from white fabrics with bleach.

**Red wine:** soak in water and detergent, rinse and treat with acetic or citric acid, then rinse. Treat any residual marks with bleach.

**Ink:** depending on the type of ink, moisten the fabric first with acetone (\*), then with acetic acid; treat any residual marks on white fabrics with bleach and then rinse thoroughly.

**Tar stains:** first treat with stain remover, methylated spirits or benzine, then rub with detergent paste.

(\*) do not use acetone on artificial silk.

## 11.6 Detergents Type And Quantity Of Detergent

Low suds detergent is required for this machine to prevent over suds problems, unsatisfactory washing result and harm to the machine.

Low suds detergents designed for front load washing machines are labelled "Front Loading", "High Efficiency", "HE", such as Cold Power for Front Loaders or "Matic".

**Do not use wrong types of detergent, such as Top Loading, Hand wash detergent or Soap-Based products in your front load washing machine. This can result in excessive suds, longer cycle time, low spin speeds, poor rinsing and overloading of the motor.**

### Quantity of detergent to be used

The choice of detergent and use of correct quantities not only affects your wash performance, but also helps to avoid waste and protect the environment.

Although biodegradable detergents contain substances which in large quantities can upset the delicate balance of nature.

The choice and quantity of detergent will depend on ;

- type of fabric (delicates, woollens, cottons, etc.);
- the colour of clothes;
- size of the load;
- degree of soil;
- wash temperature ; and
- hardness of the water used.

Water hardness is classified by so-called "degrees" of hardness.

Information on hardness of the water in your area can be obtained from the relevant water supply company, or from your local authority.

You may have to try using the detergent quantity as per manufacturers' instructions then compare the wash result to the list below and adjust the amount of detergent for your future washes accordingly.

**Not enough detergent causes:**

- the wash load to turn grey,
- greasy clothes.

**Too much detergent causes:**

- over suds,
- reduced washing effect,
- inadequate rinsing.

**Use less detergent if:**

- you are washing a small load,
- the laundry is lightly soiled,
- large amounts of foam during washing.

## 12. INTERNATIONAL WASH CODE SYMBOLS

**i** These symbols appear on fabric labels, in order to help you choose the best way to treat your laundry.

 <b>Energetic wash</b>	 Max. wash temperature 95 °C	 Max. wash temperature 60 °C	 Max. wash temperature 40 °C	 Max. wash temperature 30 °C	 Hand wash	 DO NOT wash at all
 <b>Delicate wash</b>			 			
 <b>Bleaching</b>	 Bleach with Chlorine			 DO NOT bleach		
 <b>Ironing</b>	 Hot iron max. 200 °C	 Warm iron max. 150 °C	 Lukewarm iron max. 110 °C	 DO NOT iron		
 <b>Dry cleaning</b>	 Dry cleaning in all solvents	 Dry cleaning in perchloroethylene, petrol, pure alcohol, R 111 & R 113		 Dry cleaning in petrol, pure alcohol and R 113		 DO NOT dry clean
 <b>Drying</b>	 Flat	 On the line	 On clothes hanger	 Medium temperature  Low temperature Tumble dry	 DO NOT tumble dry	

## 13. CARE AND CLEANING

### **⚠ WARNING!**

You must DISCONNECT the appliance from the electricity supply, before you can carry out any cleaning or maintenance work.

### 13.1 External Cleaning

Clean the appliance only with soap and warm water. Fully dry all the surfaces.

### **⚠ CAUTION!**

Do not use alcohol, solvents or chemical products.

### 13.2 Descaling

The water we use normally contains lime. It is a good idea to periodically use a water softening powder in the machine.

Do this separately from any laundry washing, and according to the softening powder manufacturer's instructions.

This will help to prevent the formation of lime deposits.

### 13.3 After Each Wash

Leave the door open for a while. This helps to prevent mould and stagnant smells forming inside the appliance.

Keeping the door open after a wash will also help to preserve the door seal.

### 13.4 Maintenance Wash

With the use of low temperature washes it is possible to get a build up of residues inside the drum.

We recommend that a maintenance wash be performed on a regular basis.

#### **To run a maintenance wash:**

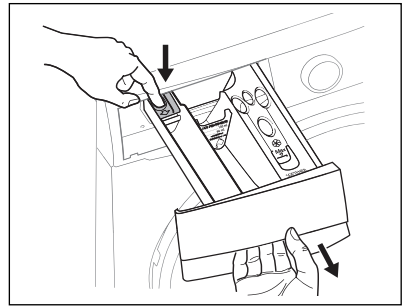
- The drum should be empty of laundry.
- Select the hottest Cottons programme.
- Press Start/Pause to start the programme.

### 13.5 Cleaning The Dispenser Drawer

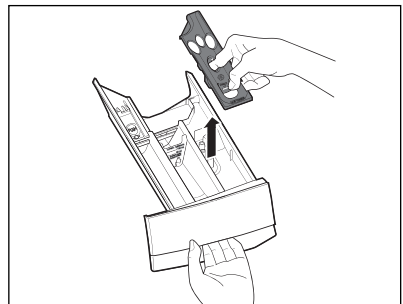
**i** The Figures that take place in this manual are schematic and may not correspond exactly with your product. If the subject parts are not included in the product you have purchased, then it is valid for other models.

The washing powder and additive dispenser drawer should be cleaned regularly.

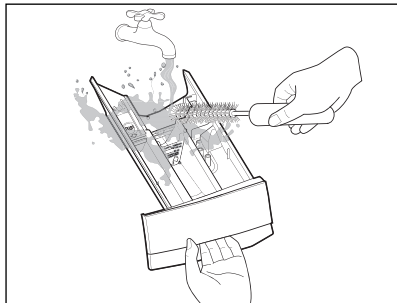
Remove the drawer by pressing the catch downwards and by pulling it out.



To aid cleaning, the top part of the additive compartment should be removed.

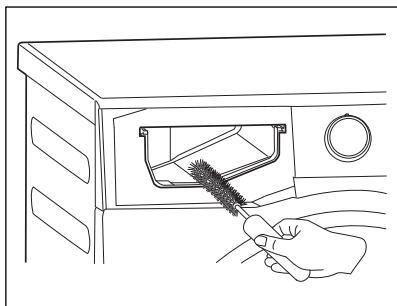


Flush it out under a tap to remove any traces of accumulated powder.



### 13.6 Cleaning The Drawer Recess

Having removed the drawer, use a small brush to clean the recess, ensuring that all washing powder residue is removed from the upper and lower part of the recess. Replace the drawer and run the rinse programme without any clothes in the drum.



### 13.7 Cleaning The Pump

**i** Regularly examine the drain pump and make sure that it is clean.

#### Clean the pump if:

- The appliance does not drain the water.
- The drum cannot turn.
- The appliance makes an unusual noise because of the blockage of the drain pump.
- The display shows an alarm code because of the problem with water drain.

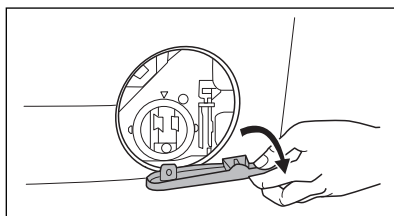
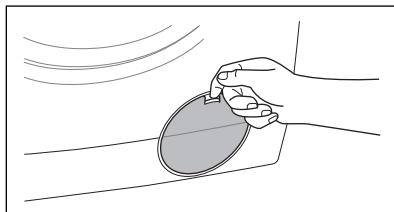
## **⚠ WARNING!**

Disconnect the mains plug from the mains socket.

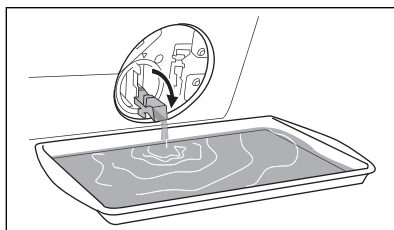
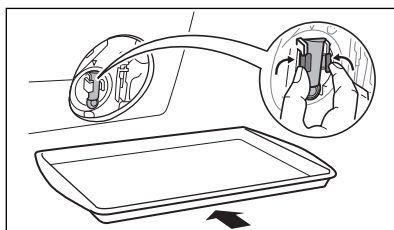
Do not remove the filter while the appliance is operating. Do not clean the drain pump if the water in the appliance is hot. The water must be cold before you clean the drain pump.

#### To clean the drain pump:

1. Open the drain pump door.



2. Place a suitable water container below the recess of the drain pump to collect the water that flows out. Press the two levers and pull forward the drainage duct to let the water flow out.

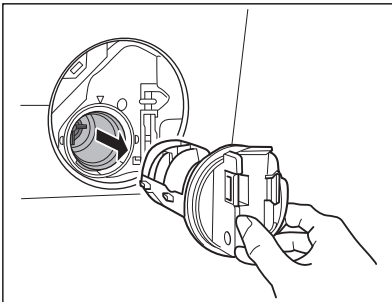
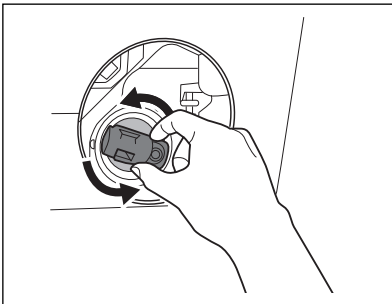




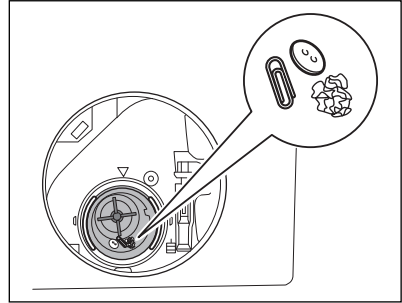
3. When the container is full of water, put the drainage duct back again and empty the container. Do step 2, 3 again and again until no more water flows out from the drain pump.



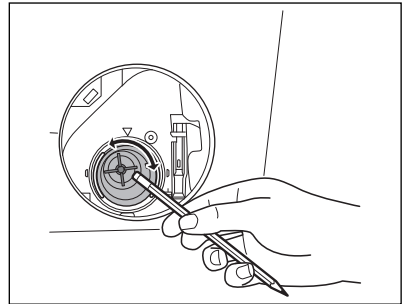
4. Push back the drainage duct and turn the filter counter-clockwise to remove it.



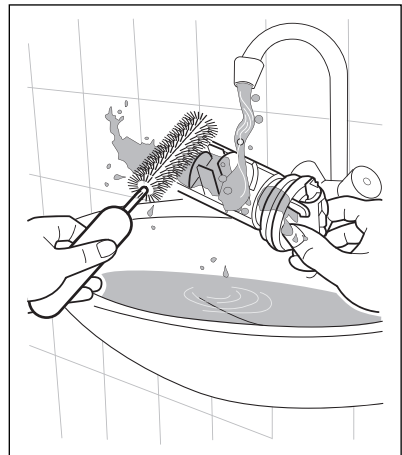
5. Remove fluff and objects from the pump (if there are any).



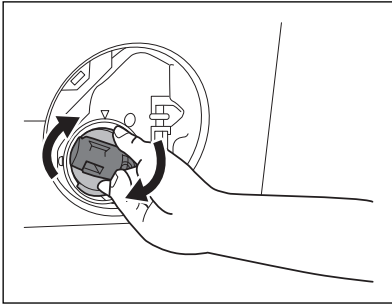
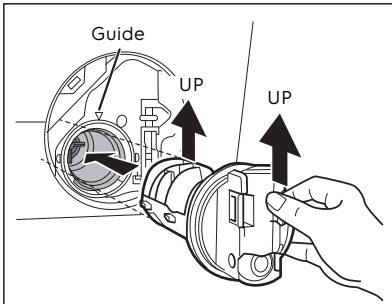
6. Make sure that the impeller of the pump can turn. If this does not occur, contact the service centre.



7. Clean the filter under the water tap.



8. Put the filter back into the housing with exposed section facing up. Make sure that you correctly tighten the filter to prevent leakages.



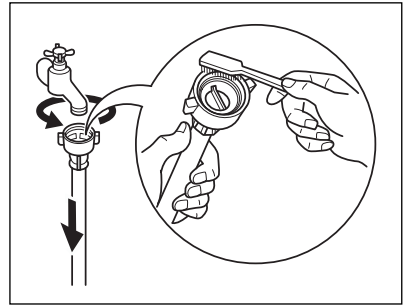
9. Close the drain pump door.

### 13.8 Cleaning The Water Inlet Filter

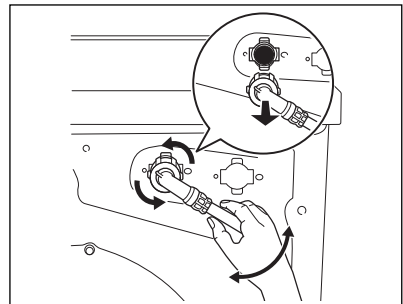
If your water is very hard or contains traces of lime deposit, the water inlet filter may become clogged. It is therefore a good idea to clean it from time to time.

#### To clean the water inlet filters:

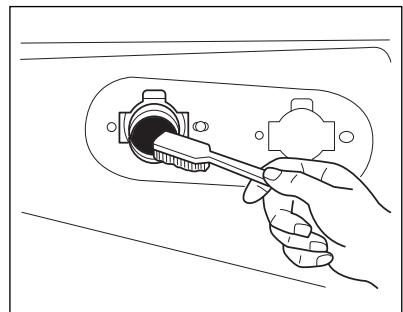
1. Close the water tap.
2. Remove the water inlet hose from the water tap.
3. Clean the filter in the inlet hose with a stiff brush.



4. Remove the inlet hose behind the appliance.



5. Clean the filter in the valve with a stiff brush or a towel.



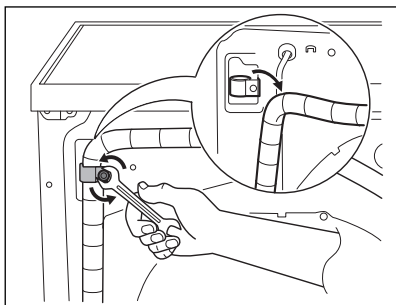
6. Install the inlet hose again. Make sure that the couplings are tight to prevent leakages.
7. Open the water tap.

## 13.9 Frost Precautions

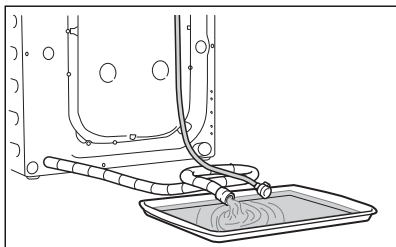
If the appliance is installed in an area where the temperature can be less than 0 °C, remove the remaining water from the inlet hose and the drain pump.

### Emergency Drain

1. Disconnect the main plug from the main socket. Turn off the water tap.
2. Remove the water inlet hose.
3. Remove the drain hose from the rear support and unhook it from sink or spigot.



4. Put the end of the drain and inlet hose in a container. Let the water flow out of the hoses.



5. When no more water flows, install the inlet hose and the drain hose again.

**i** Make sure that the temperature is more than 0 °C before you use the appliance again.

## 14. TROUBLESHOOTING

### 14.1 Possible Failures

Certain problems are due to lack of simple maintenance or oversights, which can be solved easily without calling out an engineer. Before contacting your local Service Centre, please check troubleshooting below.

Once the problem has been eliminated, press the Start/Pause touch key to restart the programme. If after all checks, the problem persists, contact your local Service Centre.

#### **WARNING!**

Deactivate the appliance before you do the checks.


#### Alarm code:

E 10	The appliance does not fill with water properly.
E 20	The appliance does not drain the water.
E 40	The appliance door is open or not closed correctly. Please check the door!
E H0	The main supply is unstable. Wait until the main supply is stable.
E 9 I	No communication between electronic elements of the appliance. Switch off and switch on again.
E R0	No Registration Data found in machine or Server.

Malfunction	Possible cause	Solution
<b>Machine does not start:</b>	The door has not been closed. (Error code: E 40)	Close the door firmly.
	The plug is not properly inserted into the power socket.	Insert the plug into the power socket.
	There is no power at the socket.	Please check your domestic electrical installation.
	The Start/Pause touch key has not been pressed.	Press the Start/Pause touch key.
	The "Finish In" has been selected.	If the laundry are to be washed immediately, cancel the "Finish In".
	The Main supply is unstable. (If E H0 appears on the display.)	Wait until the main supply is stable. Appliance will start automatically.
<b>Machine does not fill the water:</b>	The water tap is closed. (Error code: E 10)	Open the water tap.
	The inlet hose is squashed or kinked. (Error code: E 10)	Check the inlet hose connection.
	The filter in the inlet hose is blocked. (Error code: E 10)	Clean the water inlet hose filter.
	The door is not properly closed. (Error code: E 40)	Close the door firmly.
<b>Machine fills then empties immediately:</b>	The end of the drain hose is too low. (Error code: E 10)	Refer to relevant paragraph in "water drainage" section.

<b>Malfunction</b>	<b>Possible cause</b>	<b>Solution</b>
<b>Machine does not empty and/or does not spin:</b>	The drain hose is squashed or kinked. (Error code: E 20 )	Check the drain hose connection.
	The drain pump is clogged. (Error code: E 20 )	Clean the drain filter.
	The option "Rinse Hold" has been selected.	Press Start/Pause touch key to drain the water or select spin programme.
	The laundry is not evenly distributed in the drum.	Pause the machine and redistribute laundry manually.
<b>There is water on the floor:</b>	Too much detergent or unsuitable detergent (creates too much foam) has been used.	Reduce detergent quantity and use correct type of detergent (see page 29).
	Check whether there are any leaks from one of the inlet hose fittings. It is not always easy to see this as the water runs down the hose; check to see if it is damp.	Check the water inlet hose connection.
	The drain hose is damaged.	Call Service.
<b>Unsatisfactory washing results:</b>	Too little detergent or unsuitable detergent has been used.	Increase detergent quantity or use different detergent (see page 29).
	Stubborn stains have not been treated prior to washing.	Use commercial products to treat the stubborn stains.
	The correct temperature was not selected.	Check if you have selected the correct temperature.
	Excessive laundry load.	Reduce load.
<b>The door will not open:</b>	The programme is still running.	Wait until the end of cycle.
	There is water in the drum.	You must drain the water to open the door (refer to Opening The Door section, page 26).
	This problem may be caused by a failure of the appliance.	Contact Service. If you need to open the door, please read carefully "Emergency door opening" on page 39.
<b>Machine vibrates or is noisy:</b>	The transit bolts and packing have not been removed.	Check the correct installation of the appliance.
	The support feet have not been adjusted.	Check the correct levelling of the appliance.
	The laundry is not evenly distributed in the drum.	Pause the machine and redistribute laundry manually.

<b>Malfunction</b>	<b>Possible cause</b>	<b>Solution</b>
<b>Machine vibrates or is noisy:</b>	There is very little laundry in the drum.	Load more laundry.
	Unstable floors e.g. wooden floors.	Refer to relevant paragraph in "Positioning" section.
<b>Cycle time longer than displayed:</b>	Detergent over dose.	Reduce the detergent quantity or use another one. (see page 29)
	Machine unbalance.	Redistribute laundry manually in the drum and start the spin phase again.
<b>The cycle is shorter than the time displayed.</b>	The appliance calculated a new time according to the laundry load.	
<b>Spinning starts late or machine does not spin:</b>	The electronic unbalance detection device has cut in because the laundry is not evenly distributed in the drum. The laundry is redistributed by reverse rotation of the drum.	Pause the machine and redistribute laundry manually.
	This may happen several times before the unbalance disappears and normal spinning can resume. If, after 10 minutes, the laundry is still not evenly distributed in the drum, the machine will not spin. In this case, redistribute the load manually and select the spin programme.	
<b>Machine makes an unusual noise:</b>	Machine not installed properly.	Make sure the levelling of the appliance is correct. Refer to section "Installation".
	Transit bolts or packaging not removed.	Make sure that the packaging and/or the transit bolts are removed. Refer to section "Unpacking".
	The load may be too small.	Add more laundry in the drum.
<b>No water is visible in the drum:</b>	Machines based on modern technology operate very economically using very little water without affecting performance.	
<b>Remote function does not work:</b>	Registration data lost or damaged. (Error Code: E F0)	Restart machine by turn Off and turn On again. If problem not solved, please contact Service Centre.

** If you are unable to identify or solve the problem, contact our service centre. Before calling, make a note of the model, serial number in the rating label behind the door when you open, and purchase date of your machine.**

## 14.2 Emergency Door Opening

In case of power failure or appliance failure, the appliance door remains locked. The wash programme continues when power is restored. If the door remains locked in case of failure, it is possible to open it using the emergency unlock feature.

### Before opening the door:

#### **⚠ WARNING!**

Make sure that the water temperature and the laundry are not hot. Wait until they cool down if necessary.

Make sure that the water level inside the drum is not too high. If necessary, perform an Emergency Drain (see page 35).

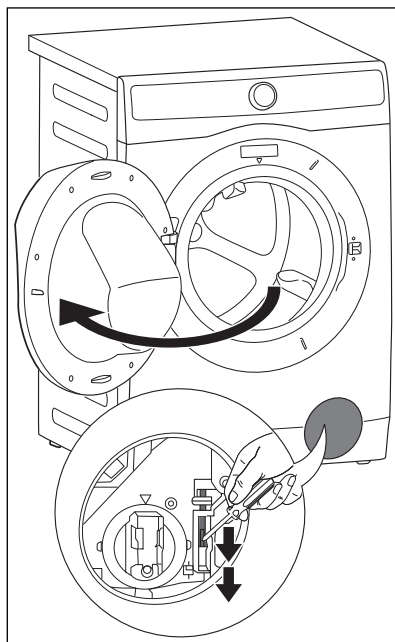
Make sure that the drum is not rotating. Wait until the drum stops rotating if necessary.

### To open the door proceed as follows:

1. Press the On/Off touch key to switch the appliance off.
2. Disconnect the mains plug from the mains socket.
3. Open the filter cover.
4. Using a suitable tool to pulling the emergency unlock strap (red strap) downward twice (you will hear "click" sound) and hold it, at the same time pull the door handle to open the door.



If the door cannot open while holding the strap, try to release it then open the door.

5. Take out the laundry.
6. Close the filter door.



## 15. ENVIRONMENT CONCERNS

### 15.1 Packaging Materials

 The materials marked with the symbol  are recyclable.

>PE<=polyethylene


>PS<=polystyrene

>PP<=polypropylene.

This means that they can be recycled by disposing them properly in appropriate collection containers.

### 15.2 Old Machine

Use authorized disposal sites for your old appliance. Help to keep your country tidy!

The symbol  on the product or on its packaging indicates that this product may not be treated as household waste.

Instead it shall be handed over to the applicable collection point for the recycling of electrical and electronic equipment. By ensuring this product is disposed of correctly, you will help prevent potential negative consequences for the environment and human health, which could otherwise be caused by inappropriate waste handling of this product.

For more detailed information about recycling of this product, please contact your local city office, your household waste disposal service or the shop where you purchased the product.

### 15.3 Ecological Hints

To save water, energy and to help protect the environment, we recommend that you follow these tips:

- Normally soiled laundry may be washed without pre-washing in order to save detergent, water and time (the environment is protected too!).
- The machine works more economically if it is fully loaded.
- With adequate pre-treatment, stains and limited soiling can be removed; the laundry can then be washed at a lower temperature.
- Measure out detergent according to the water hardness, the degree of soiling and the quantity of laundry being washed.



## ยินดีต้อนรับสู่อีเลคโทรลักซ์ ขอบพระคุณที่ซื้อเครื่องใช้ไฟฟ้าจากอีเลคโทรลักซ์



รับคำแนะนำในการใช้งาน เอกสารแผ่นพับ ข้อมูลการแก้ไขปัญหา ข้อมูลการให้บริการ  
ซื่ออุปกรณ์เสริม และอะไหล่ การลงทะเบียนผลิตภัณฑ์ผ่านระบบอินเทอร์เน็ตได้ที่:  
[www.electrolux.com](http://www.electrolux.com)

### ฝ่ายให้บริการและดูแลลูกค้า

แนะนำให้ใช้อะไหล่แท้และขณะติดต่อขอรับบริการกรุณาจัดเตรียมข้อมูลต่อไปนี้ให้พร้อม ได้แก่  
ชื่อรุ่น, หมายเลขรุ่น, และหมายเลขเครื่อง คุณสามารถตรวจสอบข้อมูลได้จากแผ่นป้ายข้อมูลบริเวณ  
ด้านหลังประตูเครื่อง


 คำเตือน / ข้อมูลด้านความปลอดภัย

 ข้อควรระวังข้อมูลและคำแนะนำทั่วไป

 ข้อมูลด้านสิ่งแวดล้อม

ข้อมูลอาจมีการเปลี่ยนแปลงโดยไม่ต้องแจ้งให้ทราบ

## สารบัญ

1. ข้อมูลด้านความปลอดภัย	42
2. รายละเอียดของผลิตภัณฑ์	45
3. ข้อมูลทางเทคนิค	47
4. การติดตั้ง	47
5. แผงควบคุม	52
6. โปรแกรม	54
7. SMARTSELECT, การใช้งานตัวเลือกเสริม และการตั้งค่า	57
8.  การตั้งค่าการเชื่อมต่อ WI-FI	60
9. ก่อนการใช้งานครั้งแรก	62
10. การใช้งานประจำวัน	63
11. คำแนะนำในการซักผ้า	67
12. สัญลักษณ์สากลสำหรับงานซัก	69
13. การดูแลรักษาและทำความสะอาด	70
14. การแก้ไขปัญหา	75
15. ข้อมูลเพื่อการรักษาสิ่งแวดล้อม	79

## 1. ข้อมูลด้านความปลอดภัย

### 1.1 เชื้อนไขการใช้งาน

เครื่องซักผ้านี้ผลิตขึ้นสำหรับใช้ในครัวเรือน หรือในลักษณะใกล้เคียงกันเช่น

- ห้องครัวร้านอาหาร, สำนักงาน และลักษณะพื้นที่ทำงานที่คล้ายกัน
- ในบ้าน
- ห้องพักในโรงแรม, โมเต็ล, และที่อยู่อาศัยที่ลักษณะคล้ายกัน
- พื้นที่ส่วนกลางที่จัดให้บริการตามแฟลตหรือในห้องซักผ้า
- ในอพาร์ทเมนต์, คอนโดมีเนียม และที่อยู่อาศัยที่ลักษณะคล้ายกัน

#### คำเตือน!

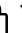
เครื่องจะต้องไม่ติดตั้งอุปกรณ์ควบคุมการทำงานจากภายนอก เช่น อุปกรณ์กำหนดเวลา, หรือถูกติดตั้งวงจรควบคุมที่แตกต่างไปจากเดิม

เพื่อความปลอดภัยและการใช้งานอย่างถูกต้อง ก่อนติดตั้งและใช้งานเครื่องเป็นครั้งแรก ขอให้อ่านคู่มือการใช้งานเล่มนี้ รวมถึงเคล็ดลับวิธีการใช้งานและคำเตือนต่างๆ อย่างละเอียด

เพื่อป้องกันความผิดพลาดและอุบัติเหตุที่พึงหลีกเลี่ยง ผู้ใช้ควรศึกษาข้อมูลเกี่ยวกับการทำงานและคุณสมบัติด้านความปลอดภัยของเครื่องอย่างละเอียด

โปรดเก็บรักษาคู่มือเล่มนี้ไว้กับเครื่อง หากมีการเคลื่อนย้ายหรือเปลี่ยนมือ เพื่อให้ผู้ใช้ทราบถึงวิธีใช้งานและระบบความปลอดภัยที่ต้องตลอดอายุการใช้งาน

## 1.2 ความปลอดภัยสำหรับเด็ก

- เครื่องนี้ไม่ได้มีไว้สำหรับเด็ก หรือบุคคลทุกเพศทุกวัยโดยปราศจากการควบคุมดูแล
- ควรดูแลเด็กๆ เพื่อให้แน่ใจว่าพวกเขาไม่ได้เล่นกับเครื่องนี้
- ชิ้นส่วนของบรรจุภัณฑ์ (เช่น แผ่นพลาสติกใส โพลีสไตรีน) อาจเป็นอันตรายกับเด็ก โดยเด็กอาจนำไปเล่นจนพลาสติกเข้าไปขัดขวางระบบการหายใจทำให้หายใจไม่ออกได้! ดังนั้นจึงควรเก็บให้พ้นมือเด็ก
- เก็บผงชกฟอกทิ้งหมดในที่ปลอดภัยให้พ้นมือเด็ก
- ก่อนการใช้เครื่องโปรดดูให้แน่ใจว่าเด็กๆ หรือสัตว์เลี้ยงไม่ได้ปีนเข้าไปในถังชก
- เครื่องนี้มีตัวล็อก (  ) ช่วยป้องกันไม่ให้เด็กเล่นกับแผงควบคุมของเครื่อง

## 1.3 ความปลอดภัยทั่วไป

- การแก้ไขรายการในข้อมูลจำเพาะ หรือพยายามดัดแปลงเครื่องด้วยวิธีใดก็ตาม อาจก่อให้เกิดอันตรายขึ้นได้
- ระหว่างการชกด้วยโปรแกรมที่ใช้อุณหภูมิสูง ประตูกะจกอาจมีอุณหภูมิสูง ระมัดระวังอย่าสัมผัสกับประตู!
- ดูให้แน่ใจว่าไม่มีสัตว์เลี้ยงปีนเข้าไปในถัง เพื่อป้องกันปัญหาดังกล่าวก่อนใช้งานโปรดตรวจดูในถังชกก่อนทุกครั้ง
- วัตถุอย่างเหรียญ เข็มกลัดช้อนปลาย ตะปู สกรู หิน หรือวัตถุที่มีความแข็งและคม อาจก่อให้เกิดความเสียหายต่อเครื่องและผ้าได้ ควรคัดแยกออกก่อนนำผ้าเข้าเครื่อง
- ในกรณีที่ชกผ้าชิ้นเล็กๆ เช่น ถุงเท้า, สายรองเท้า, เข็มขัดแบบชกได้ ฯลฯ ให้ใส่ในถุงชกผ้าหรือปลอกหมอนก่อนนำเข้าเครื่อง เนื่องจากผ้าชิ้นเล็กๆ อาจหลุดเข้าไปติดถังชกด้านในได้
- ใช้น้ำยาปรับผ้านุ่มและผงชกฟอกในปริมาณที่เหมาะสม หากเติมน้ำยามากเกินไปอาจทำให้เกิดความเสียหายต่อผ้าหรือเครื่องชกผ้าได้ โปรดดูปริมาณที่แนะนำที่บรรจุภัณฑ์
- ห้ามใช้เครื่องชกผ้าเพื่อชกผ้าที่เสริมโครงลวด, วัสดุที่ไม่ยืดหยุ่นหรือขาด
- ถอดปลั๊กเครื่องและปิดระบบจ่ายน้ำหลังการใช้งาน ทำความสะอาดและบำรุงรักษาเครื่องหลังการใช้งาน
- อุปกรณ์นี้ไม่ได้ออกแบบมาสำหรับการใช้งานโดยผู้ใหญ่ (และเด็ก) ที่มีความบกพร่องทางร่างกายทางประสาทรับรู้หรือทางจิตใจ รวมถึงผู้ที่ขาดประสบการณ์และความรู้ เว้นแต่จะมีผู้ดูแลหรือมีผู้ให้คำแนะนำในการใช้อุปกรณ์อย่างปลอดภัย
- ไม่ควรซ่อมเครื่องด้วยตนเอง การซ่อมโดยผู้ที่ไม่มีความรู้ อาจทำให้เกิดการบาดเจ็บหรือเครื่องทำงานผิดปกติอย่างรุนแรง โปรดติดต่อศูนย์บริการใกล้บ้านท่าน และควรใช้ชิ้นส่วนที่เป็นของแท้ทุกครั้ง
- น้ำยาขจัดคราบฝังแน่น สามารถทำลายชิ้นส่วนพลาสติกในเครื่องของคุณได้ หากคุณใช้ควรรถาบนเสื้อผ้าให้ห่างจากเครื่องก่อน

## 1.4 การติดตั้ง

- เครื่องมีน้ำหนักมากจึงควรระมัดระวังการเคลื่อนย้ายเครื่อง
- เมื่อนำเครื่องออกจากบรรจุภัณฑ์ให้ตรวจสอบว่าไม่มีความเสียหายใดๆ เกิดขึ้นกับเครื่อง หากไม่แน่ใจอย่าใช้งานเครื่องและให้ติดต่อศูนย์บริการทันที
- โปรดนำบรรจุภัณฑ์และสลักยึดเครื่องป้องกันการสั่นสะเทือนขณะขนส่งออกจากเครื่องให้หมดก่อนที่จะใช้งาน หากไม่ปฏิบัติตามอาจทำให้เครื่องและทรัพย์สินเสียหายอย่างร้ายแรงได้ ดูรายละเอียดส่วนที่เกี่ยวข้องในหัวข้อการแกะบรรจุภัณฑ์
- หลังการติดตั้งอุปกรณ์กรุณาตรวจสอบว่าอุปกรณ์ไม่ขวางทางจ่ายและระบายน้ำ และส่วนบนของเครื่องไม่สัมผัสกับสายไฟ
- ในกรณีที่วางเครื่องไว้บนพรม กรุณาปรับฐานเครื่องเพื่อให้อากาศถ่ายเทได้สะดวก
- ตรวจสอบให้แน่ใจเสมอว่าไม่มีน้ำรั่วไหลตามท่อหรือจุดเชื่อมต่อต่างๆ หลังการติดตั้ง
- งานประปาที่จำเป็นในการติดตั้งเครื่องต้องทำโดยช่างประปาที่ผ่านการอบรมแล้ว
- งานไฟฟ้าที่จำเป็นในการติดตั้งเครื่องต้องทำโดยช่างไฟฟ้าผู้เชี่ยวชาญเท่านั้น

## 1.5 การใช้งาน

- ชักแต่ผ้าที่สามารถชักด้วยเครื่องได้เท่านั้น โปรดปฏิบัติตามคำแนะนำบนเสื้อผ้าแต่ละชิ้น
- อย่าบรรทุกผ้าเกินปริมาณที่กำหนด โปรดดูรายละเอียดส่วนที่เกี่ยวข้องในคู่มือการใช้งาน
- ก่อนการชักตรวจสอบว่ากระเป๋าดังกล่าว ไม่มีสิ่งของตกค้างให้ติดกระดุมและรูตซิปให้เรียบร้อย และพยายามอย่าชักผ้าที่ขอบลุ่ยหรือขาด ขจัดคราบติดค้างเช่น สี หมึก สนิม และหยูกาก่อนชัก ห้ามชักเสื้อขึ้นในเสริมโครงลวดโดยที่ไม่ใส่ในถุงชัก
- ไม่ควรชักเสื้อผ้าที่เปื้อนผลิตภัณฑ์ประเภทปิโตรเคมีที่มีสมบัติในการระเหยกับเครื่องนี้ ถ้าใช้น้ำยาทำความสะอาดแบบระเหยง่ายควรตรวจสอบให้แน่ใจว่าน้ำยานั้นระเหยออกจากเนื้อผ้าแล้วก่อนบรรจุลงถังชัก

- ห้ามดึงสายไฟเพื่อถอดปลั๊กออกจากเต้ารับ ให้จับหัวปลั๊กไฟทุกครั้งเมื่อถอดปลั๊ก
- ห้ามใช้เครื่องหากสายไฟ ผ่างควบคุม พื้นผิวการทำงาน หรือเมื่อฐานเสียหาย และบริเวณด้านในของเครื่องสามารถเข้าถึงได้
- หากสายไฟชำรุด จะต้องเปลี่ยนโดยผู้ผลิต ตัวแทนบริการ หรือบุคคลที่มีคุณสมบัติคล้ายคลึงกันเพื่อหลีกเลี่ยงอันตราย

## 1.6 การเชื่อมต่อทางไฟฟ้า

**i** การใช้งานเครื่องกับระบบจ่ายไฟฟ้าที่ไม่ถูกต้องอาจทำให้เสียสิทธิ์การรับประกัน

ตรวจสอบว่าการติดตั้งระบบไฟฟ้าภายในบ้านสามารถรับโหลดสูงสุดที่ต้องการจากข้อมูลทางเทคนิคได้ รวมถึงคำนึงถึงอุปกรณ์อื่นๆ ที่ใช้งานอยู่ด้วย เมื่อติดตั้งเครื่องแล้วจะต้องเข้าถึงสายไฟได้ง่าย

### **⚠ คำเตือน!**

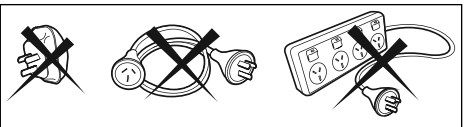
ระวังไฟดูด! หากท่านไม่ได้เชื่อมต่อระบบสายดิน/กราวด์ หรือเชื่อมต่อไม่ถูกต้อง **อย่าสัมผัสผ้าที่เปียกและชิ้นส่วนโลหะ**

เพื่อความปลอดภัย **ห้ามใช้** อุปกรณ์ดังต่อไปนี้ในการเชื่อมต่อเครื่องซักผ้ากับแหล่งจ่ายไฟ ได้แก่ ตัวแปลงปลั๊กไฟ, สายพ่วงขยายความยาว, เต้ารับไฟ หรืออุปกรณ์ประเภทคล้ายกันนี้

### **⚠ ข้อควรระวัง!**

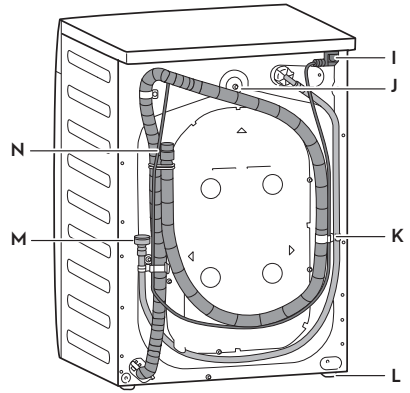
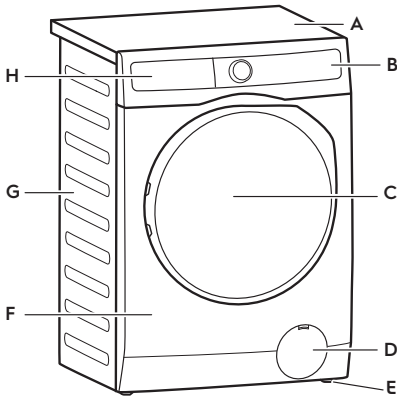
โปรดเชื่อมต่อเครื่องเข้ากับเต้าจ่ายไฟที่ต่อสายดินไว้ บริษัทผู้ผลิตไม่ขอรับผิดชอบใดๆ ต่อความเสียหายหรือการบาดเจ็บ หากไม่ปฏิบัติตามมาตรฐานด้านความปลอดภัยข้างต้น

หากสายไฟชำรุดและต้องการเปลี่ยนใช้สายไฟใหม่ ขอให้ติดต่อศูนย์บริการใกล้บ้าน



## 2. รายละเอียดของผลิตภัณฑ์

### 2.1 รายละเอียดเครื่อง



**A** ฝาปิดด้านบน

**B** แผงควบคุมการทำงาน

**C** ประตูเครื่อง

**D** ตัวกรองป้อนระบายน้ำ

**E** ขาตั้งเครื่องแบบปรับระดับได้

**F** ฝาปิดเครื่องด้านหน้า

**G** ตัวถังเครื่อง

**H** ลื่นซีกเติมสารซักฟอกและน้ำยาปรับผ้านุ่ม

**I** ปลั๊กไฟ

**J** สลักยึดสำหรับขนย้าย

**K** สลักยึดสำหรับขนย้าย และที่เก็บสายต่างๆ

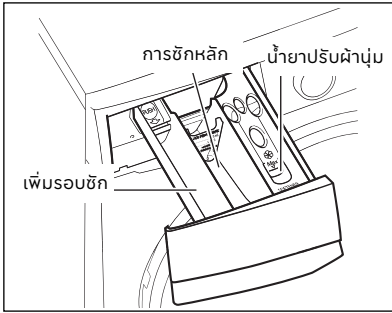
**L** ขาตั้งเครื่องแบบปรับระดับได้

**M** ท่อน้ำเข้า

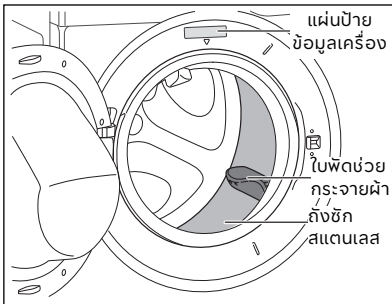
**N** ท่อระบายน้ำ

### 2.1.1 ช่องเติมสารซักฟอกและน้ำยาปรับผ้านุ่ม

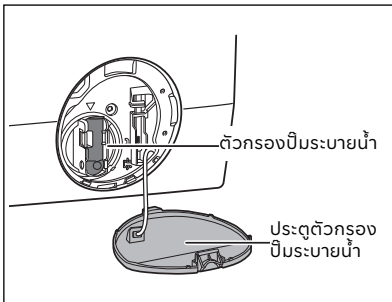
ข้อมูลการใช้ รายละเอียดเกี่ยวกับการใช้สารซักฟอกและน้ำยาปรับสภาพ โปรดดูรายละเอียดที่หน้า 63



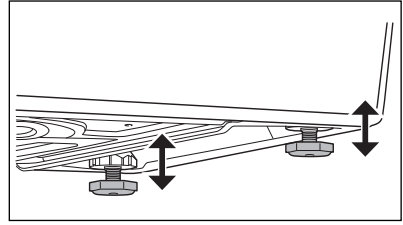
### 2.1.2 ประตูเครื่อง (เมื่อเปิด)



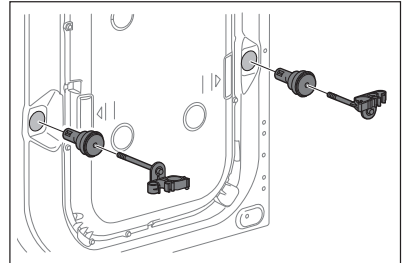
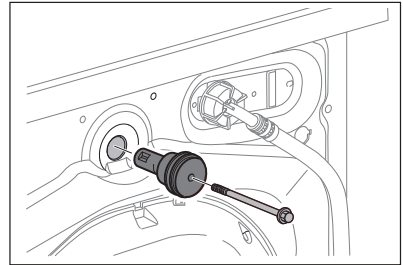
### 2.1.3 ตัวกรองปิมระบายน้ำ (เมื่อเปิด)



### 2.1.4 ขาตั้งเครื่องแบบปรับระดับได้



### 2.1.5 สลักยึดสำหรับขนย้าย (เมื่อถอดออก)



### ⚠️ ข้อควรระวัง!

โปรดตรวจสอบให้แน่ใจว่าได้นำสลักยึดสำหรับขนย้ายออกจากเครื่องเรียบร้อยแล้วก่อนการใช้งานเครื่อง

## 2.2 อุปกรณ์เสริม

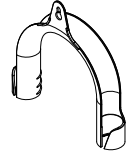
### ฝาพลาสติกปิดสำหรับปิดรูด้านหลัง

เพื่อปิดรูที่ด้านหลังเครื่องหลังจากนำสลักยึดสำหรับขนย้ายออก



### ตัวดัดท่อระบายน้ำ

ใช้สำหรับเกี่ยวสายน้ำทิ้งกับขอบอ่างล้างมือ



## 3. ข้อมูลทางเทคนิค

ขนาด (สูง x กว้าง x ลึก)	850 x 600 x 659 มม.
แหล่งจ่ายไฟ (แรงดันไฟฟ้า / ความถี่)	220 - 240 โวลต์ / 50 เฮิรตซ์
กำลังไฟทั้งหมด	EWF10*****: 2000 วัตต์ EWF11*****, EWF13*****: 2100 วัตต์
แรงดันน้ำ (สูงสุด / ต่ำสุด)	0.8 เมกะปาสกาล / 0.05 เมกะปาสกาล
ความเร็วรอบในการปั่นสูงสุด	1400 รอบต่อนาที

## 4. การติดตั้ง

### 4.1 การแกะบรรจุภัณฑ์

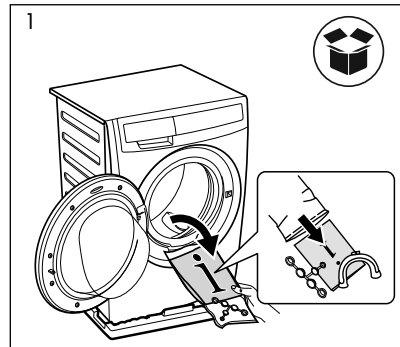
แนะนำให้เก็บสลักยึดเครื่องสำหรับขนย้ายไว้ ถ้าหากมีการขนย้ายเครื่องให้ประกอบกลับเข้าที่เดิม

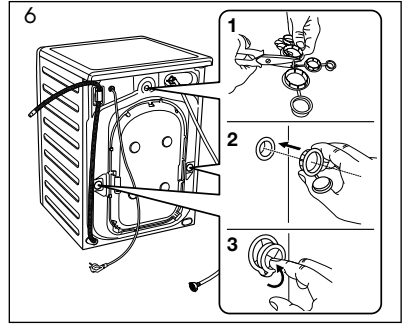
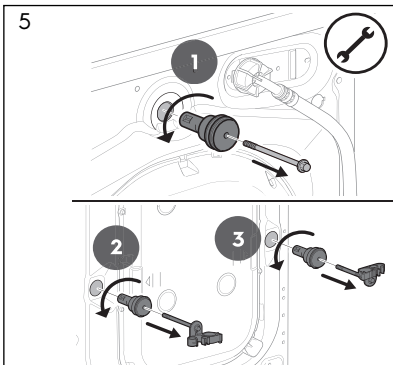
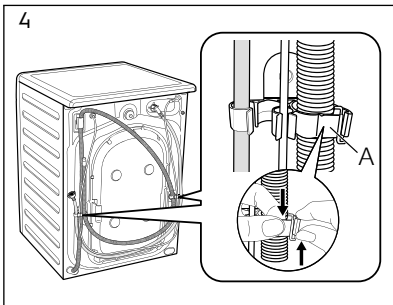
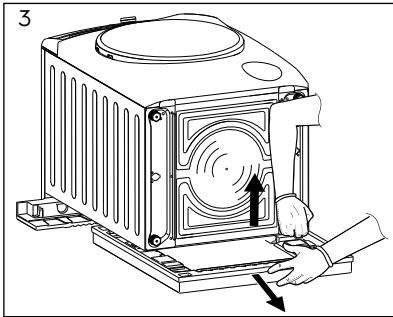
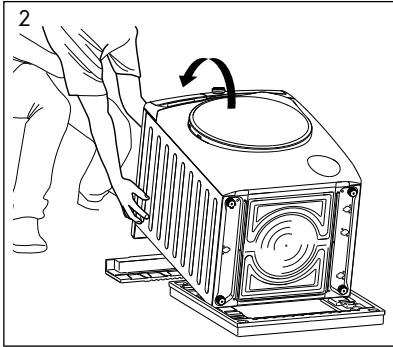
#### ⚠ คำเตือน!

ต้องถอดสลักยึดเครื่องสำหรับขนย้ายทั้ง 3 จุด และบรรจุภัณฑ์สำหรับการขนส่งทั้งหมดออกก่อนใช้งาน สลักยึดเครื่องสำหรับขนย้ายสามารถถอดโดยใช้ประแจหรือลือคหัวหกเหลี่ยมเบอร์ 10

#### ⚠ ข้อควรระวัง!

ควรวางหลังเครื่องลงอย่างระมัดระวัง ตรวจสอบให้แน่ใจว่าไม่ทำให้เกิดเสียหาย

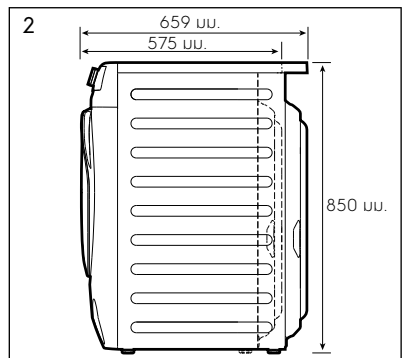
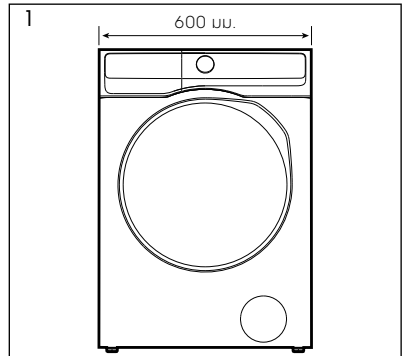




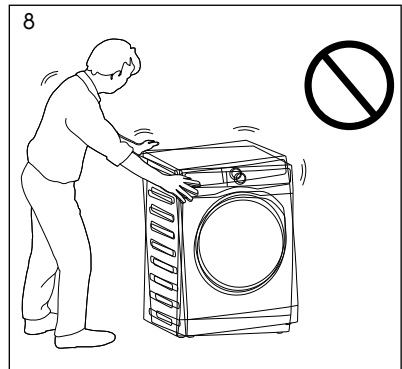
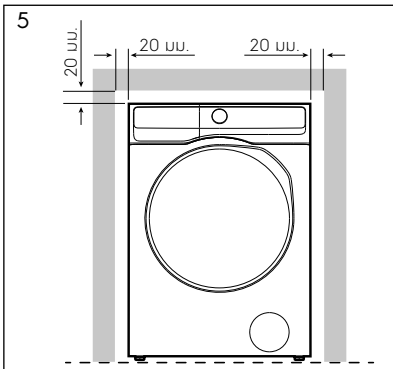
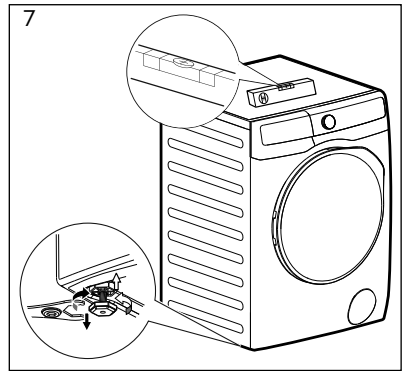
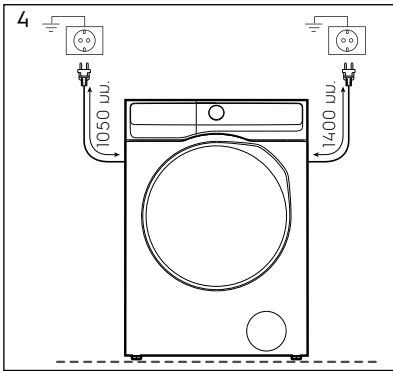
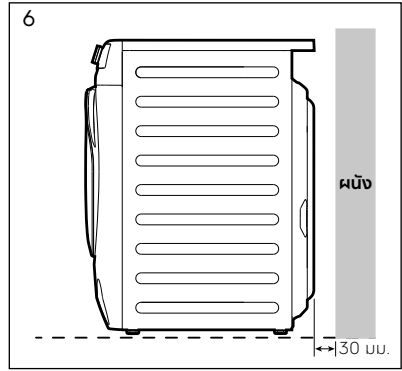
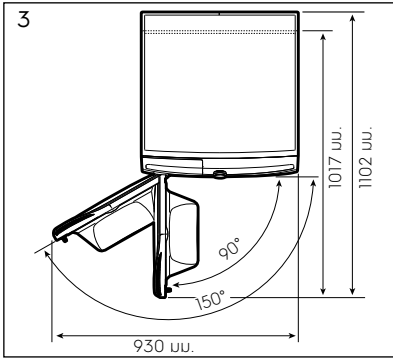
## 4.2 พื้นที่การติดตั้ง

### ⚠ คำเตือน!

ก่อนดำเนินการติดตั้ง โปรดอ่านข้อมูลด้านความปลอดภัย และขนาดเครื่องเพื่อเตรียมพื้นที่





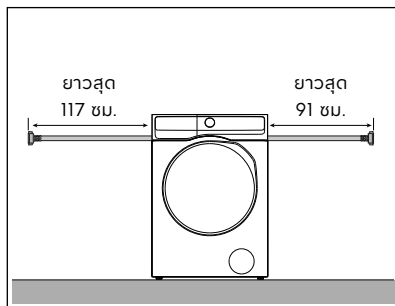
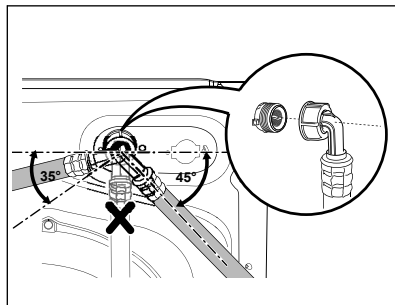
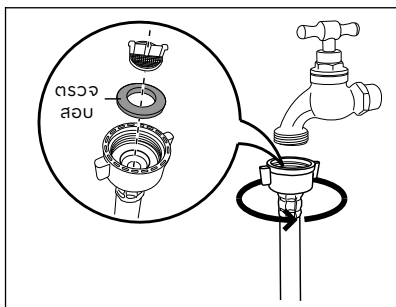


## ⚠️ ข้อควรระวัง!

เมื่อติดตั้งผลิตภัณฑ์ตรวจสอบให้แน่ใจว่าขาเครื่องไม่ได้กับสายไฟ หากปรับระดับของเครื่องได้แล้ว ให้ลองโยกระหว่างมุมเครื่อง หากเครื่องโคลงเคลงให้ปรับขาตั้งเครื่องอีกครั้งจนกว่าจะได้ระดับและเครื่องไม่โคลงเคลง  
อย่าใช้กระดาษแข็ง ไม้ หรือวัสดุจำพวกเดียวกันรองเพื่อปรับระดับความเรียบของพื้น ตั้งเครื่องไว้บนพื้นเรียบแข็ง  
ตรวจสอบให้แน่ใจว่าอากาศสามารถหมุนเวียนรอบๆ ได้ และตัวเครื่องต้องไม่มีพรม ผ้าเช็ดเท้า ฯลฯ กีดขวาง และไม่สัมผัสกับผนังหรืออุปกรณ์ในครัวอื่นๆ

### 4.3 การต่อท่อน้ำเข้า

ต่อท่อน้ำเข้าเข้ากับก๊อกน้ำเกลียว BSP ขนาด 3/4 นิ้ว ใช้ท่อที่แถมมาให้พร้อมกับเครื่อง **อย่าใช้ท่อเก่า** ไม่ควรต่อท่อน้ำให้ยาวขึ้น หากท่อสั้นเกินไปและคุณไม่ต้องการย้ายก๊อกน้ำ คุณต้องซื้อท่อน้ำใหม่ที่ยาวกว่าเดิมที่ออกแบบมาเพื่อใช้งานลักษณะนี้  
ปลายอีกข้างหนึ่งของท่อน้ำเข้าที่ต่ออยู่กับเครื่องสามารถหมุนไปในทิศทางใดก็ได้ เพียงแค่คลายข้อต่อแล้วหมุนท่อตามต้องการ อย่าวางท่อทางเข้าลงด้านล่าง  
หลังจากติดตั้งเสร็จแล้วต้องขันแหวนน๊อตให้แน่นเพื่อป้องกันการรั่วซึม



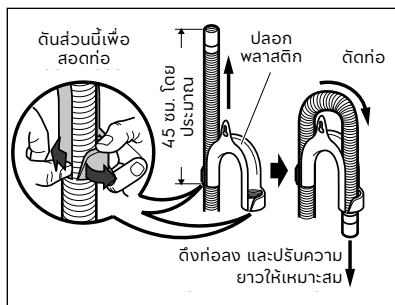
### 4.4 การระบายน้ำ

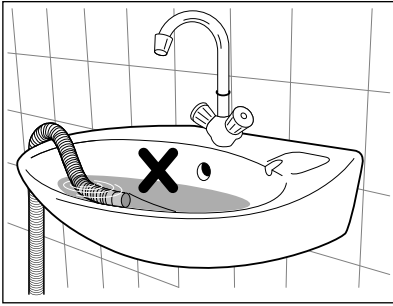
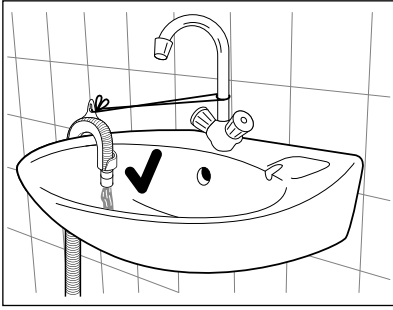
ปลายท่อระบายน้ำสามารถจัดตำแหน่งได้ 3 แบบ ดังนี้

- **เกี่ยวข้องกับขอบอ่างล้างจาน** โดยใช้ตัวตัดท่อระบายน้ำหรือปลอกพลาสติกที่ให้มาพร้อมเครื่อง

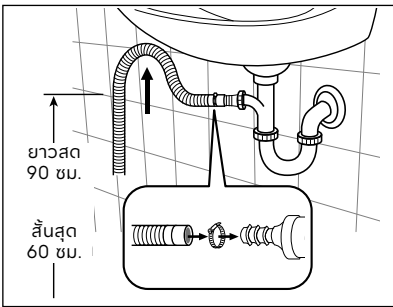
#### การประกอบท่อน้ำกับปลอกพลาสติก

ในกรณีนี้ โปรดตรวจสอบให้แน่ใจว่าปลายท่อไม่หลุดออกจากปลอกเมื่อเครื่องปล่อยน้ำออก โดยคุณอาจใช้ลวดผูกปลายท่อกับก๊อกน้ำหรือยึดท่อติดกับกำแพงไว้





- ต่อกับท่อที่แยกออกจากท่อน้ำทิ้งของอ่างน้ำ**  
 ท่อแยกที่ต่อนี้ต้องอยู่สูงกว่าก๊อกเพื่อให้ท่อโค้งงออย่างน้อย 60 ซม. จากระดับพื้น ดันท่อน้ำให้สวมเข้ากับข้อต่อให้แน่นและรัดด้วยสายรัดให้แน่น ตรวจสอบให้แน่ใจว่าไม่มีแรงดันไหลวนในท่อเพื่อป้องกันน้ำเสียจากอ่างไหลเข้าสู่เครื่องซักผ้า

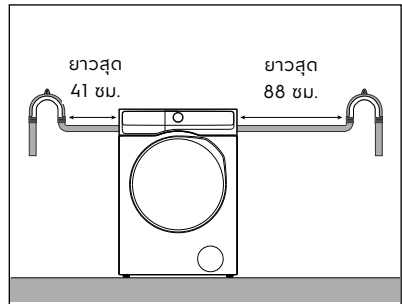
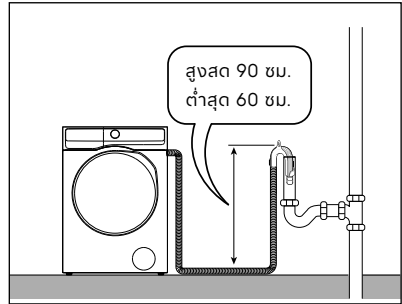


- ลงสู่ท่อระบายน้ำ** ท่อระบายน้ำต้องมีความสูงไม่น้อยกว่า 60 ซม. และไม่เกิน 90 ซม.

ปลายท่อระบายน้ำจะต้องสามารถระบายน้ำออก ดังนั้นเส้นผ่าศูนย์กลางภายในท่อระบายน้ำจึงต้องใหญ่กว่าเส้นผ่าศูนย์กลางภายนอกของท่อน้ำทิ้ง

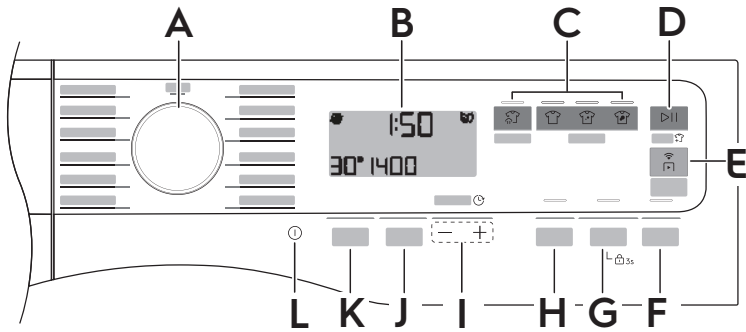
ท่อน้ำจะต้องไม่พียงงอไม่ว่าในกรณีใด เดินท่อไปตามพื้น ยกเฉพาะส่วนที่ใกล้กับจุดระบายน้ำขึ้นเท่านั้น

เพื่อให้การทำงานของเครื่องถูกต้อง ท่อระบายน้ำของเครื่องจะต้องเกี่ยวข้องกับฐานรองรับที่เหมาะสมที่ด้านบนของด้านหลังเครื่อง



## 5. แผงควบคุม





### 5.1 รายละเอียดแผงควบคุม



**A** ลูกบิดเลือกโปรแกรม

**B** จอแสดงผล

**C** ปุ่มสัมผัส SmartSelect

- ลดรอยยับด้วยไอน้ำ 
- ซักแบบอ่อนโยน 
- ซักปกติ 
- ซักแบบล้ำลึก 

**D** ปุ่มสัมผัส เริ่ม/หยุด  
(ตัวเลือกหยุดเพิ่มผ้า)

**E** ปุ่มสัมผัส สั่งงานผ่านแอป

**F** ปุ่มสัมผัส เพิ่มรอบซัก

**G** ปุ่มสัมผัส ใส่น้ำ  
(ตัวเลือกลือค)

**H** ปุ่มสัมผัส ขจัดคราบ

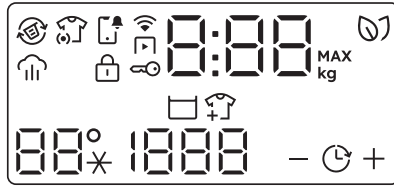
**I** ปรับเวลาตั้งเวลาจบ (Finish In)  
+ ปุ่มเพิ่มเวลา  
- ปุ่มลดเวลา

**J** ปุ่มสัมผัส รอบปั่น

**K** ปุ่มสัมผัส ล็อคประตู

**L** ปุ่มสัมผัส เปิด/ปิด

## 5.2 จอแสดงผล



	ไอคอน SmartLeaf
	ไอคอน ล็อคประตู
	ไอคอน ใส่น้ำ
	ไอคอน ตั้งเวลาจบ
	ไอคอน ไม่ระบายน้ำล้างผ้า
	ไอคอน หยุดเพิ่มผ้า
	ไอคอน ล็อค
	ไอคอน UltraMix
	ไอคอน SensorWash
	ไอคอน การแจ้งเตือน
	ไอคอน สิ่งงานผ่านแอป
	ไอคอน การเชื่อมต่อ Wi-Fi
	พื้นที่แสดงอุณหภูมิ
	88° อุณหภูมิ
	--* น้ำเย็น
<b>MAX</b>	ไอคอนแสดงน้ำหนักผ้าสูงสุด
	พื้นที่แสดงรอบปั่นหมาด: ตัวเลขแสดงความเร็วรอบปั่น (- - -) ไม่ปั่น, เลือกไม่ปั่นหมาด
	ไอคอนดิจิทัลอลแสดง: <ul style="list-style-type: none"> <li>• เวลาการทำงานของโปรแกรม, โปรแกรมซักรีด</li> <li>• เวลาหั่นวง</li> <li>• สิ้นสุดโปรแกรม ( 0:00 )</li> <li>• รหัสข้อผิดพลาด (จะแสดงเมื่อเครื่องทำงานผิดปกติ)</li> </ul>

ไอคอน ฟังก์ชัน หรือชื่อช่วงการทำงานที่ปรากฏในคู่มือนี้อาจแตกต่างจากผลิตภัณฑ์ของคุณ

## 5.3 SmartLeaf

สัญลักษณ์ SmartLeaf แสดงเกี่ยวกับการใช้พลังงาน แนะนำผู้ใช้ให้ประหยัดพลังงาน เวลา และน้ำ

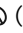

### สัญลักษณ์นี้จะแสดงระดับดังนี้

1. เวลาการทำงานของโปรแกรม พร้อมความจุที่กำหนด
2. การใช้พลังงาน
3. การใช้น้ำ
4. อุณหภูมิในการซัก

### SmartLeaf ไม่มีผลกระทบจาก

1. ปริมาณผ้าที่ซัก
2. ความเร็วรอบในการปั่นหมาด

### SmartLeaf มี 3 ระดับที่แตกต่างกันดังนี้

1. ไม่มี SmartLeaf (ไม่มีไอคอนแสดงบนจอ)
2. ไอคอน  (1 ใบ)
3. ไอคอน  (2 ใบ)




- ตัวเลือกเพิ่มรอบซัก จะส่งผลให้ SmartLeaf ลดลง 1 ใบ
- อุณหภูมิ 40°C จะส่งผลให้ SmartLeaf ลดลง 1 ใบ
- อุณหภูมิมากกว่า 40°C จะส่งผลให้ SmartLeaf ลดลง 2 ใบ

## 6. โปรแกรม

### 6.1 ตารางโปรแกรม

โปรแกรม อุณหภูมิที่เลือกได้	รอบปั่นหมาด สูงสุด (รอบ/นาที)	น้ำหนักผ้าสูงสุด (ผ้าแห้ง)	ประเภทของผ้าและระดับความสกปรก
ผ้าฝ้าย น้ำเย็น ถึง 90°C	1400	สูงสุด <sup>1)</sup>	ผ้าฝ้ายสีขาวและผ้าฝ้ายที่มีสี โดยมีระดับความสกปรก จากระดับปกติ สกปรกมาก และสกปรกน้อย
ผ้าฝ้ายแบบ ประหยัด 40°C และ 60°C	1400	สูงสุด <sup>1)</sup>	โปรแกรมประหยัดพลังงานสำหรับผ้าฝ้าย โดยลดอุณหภูมิและเพิ่มเวลาในการซักเพื่อการซักที่มีประสิทธิภาพ
ผ้าเนื้อมาง น้ำเย็น ถึง 40°C	1200	EWFI0***** EWFI1***** EWFI3*****	4 กก. การซักอย่างอ่อนโยนสำหรับผ้าฝ้ายแบบบาง ผ้าอะคริลิก วิสโคส และโพลีเอสเตอร์ 5 กก.
เสื้อผ้าเด็ก น้ำเย็น ถึง 40°C	1200	4 กก.	โปรแกรมซักด่วนสำหรับเสื้อผ้าเด็กด้วยการซักล้างอย่างมีประสิทธิภาพ
เครื่องนอน น้ำเย็น ถึง 60°C	800	3 กก.	โปรแกรมซักสำหรับชุดเครื่องนอน 3 ชุด
ขจัดเชื้อโรค 60°C	1400	สูงสุด <sup>1)</sup>	เหมาะสำหรับซักผ้าฝ้ายสีขาวโดยเฉพาะ โปรแกรมนี้เป็นการซักด้วยอุณหภูมิสูงและไอน้ำ สามารถขจัดเชื้อโรคและไวรัส <sup>2)</sup> ได้ถึง 99.99% โดยใช้อุณหภูมิสูง 60 องศาเซลเซียส ตลอดช่วงการซักต้องขอคุณการซักและไอน้ำที่มีประสิทธิภาพทำให้มั่นใจได้ว่าการซักครั้งนี้สามารถขจัดผงซักฟอก ตกค้างและเชื้อโรคตัวจิ๋ว รวมไปถึงละอองเกสรและสารก่อภูมิแพ้บนเสื้อผ้าได้

โปรแกรมอุณหภูมิที่เลือกได้	รอบปั่นหมาดสูงสุด (รอบ/นาที)	น้ำหนักผ้าสูงสุด (ผ้าแห้ง)	ประเภทของผ้าและระดับความสกปรก	
<b>ปั่นหมาด</b>	1400	สูงสุด <sup>1)</sup>	โปรแกรมปั่นแห้งเพื่อรีดน้ำออกใช้ได้กับผ้าทุกชนิด ยกเว้นผ้าขนสัตว์และผ้าที่บอบบาง	
<b>ล้างผ้า + ปั่นหมาด</b>	1400	สูงสุด <sup>1)</sup>	โปรแกรมซักด้วยน้ำเปล่าแล้วปั่นแห้ง ใช้ได้กับผ้าทุกชนิดยกเว้นผ้าขนสัตว์และผ้าที่บอบบาง ค่าความเร็วพื้นฐานใช้สำหรับโปรแกรมซักผ้าฝ้าย และสามารถปรับลดความเร็วลงตามแต่นิตของผ้าได้ สำหรับความเร็วต่ำโปรแกรมจะให้ทำการซักด้วยน้ำอย่างอ่อนโยนและใช้ความเร็วต่ำ	
<b>ผ้าขนสัตว์</b>  น้ำเย็น ถึง 40°C	1200	EWF10***** EWF11***** EWF13*****	2 กก. 3 กก.	สำหรับซักผ้าขนสัตว์ (ผ้าวูล) และผ้าที่ต้องซักด้วยมือที่ผ่านการรับรองจากบริษัท The Woolmark
<b>ชุดกีฬา</b> น้ำเย็น ถึง 40°C	1200		4 กก.	โปรแกรมซักสำหรับชุดกีฬา และผ้าใยสังเคราะห์ ประเภทที่ทำมาจากเส้นโพลีเอสเตอร์, โพลีเอสเตอร์ผสมใยอีลาสติก และพอลิเอไมด์ เหมาะสำหรับซักล้างคราบเหงื่อไคลจากชุดกีฬา
<b>ซักด่วน 15 นาที</b> น้ำเย็น ถึง 30°C	1200		1.5 กก.	สำหรับซักผ้าที่มีระดับความสกปรกน้อยในผ้าใยสังเคราะห์และใยผสม
<b>ซักด่วนอัตโนมัติ</b> น้ำเย็น ถึง 30°C	1200		สูงสุด <sup>1)</sup>	สำหรับเสื้อผ้าที่สวมใส่ในฤดูร้อน เช่น ผ้าฝ้าย เสื้อเชิ้ต เสื้อสตรี ผ้าเช็ดตัว และชุดชั้นใน
<b>รี (ซักประจำ/รายการโปรด)</b>	-		-	โปรแกรมทางลัดสำหรับโปรแกรมซักประจำ/รายการโปรดจากแอปพลิเคชัน

- 1) ความจุสูงสุดของเครื่องแสดงอยู่บนสติกเกอร์ที่ติดอยู่ด้านหน้าเครื่อง รุ่น EWF1043R7WC 10 กก., EWF1043R7SC 10 กก., EWF1143R7SC 11 กก., EWF1343R7WC 13 กก.
- 2) ผ่านการทดสอบเชื้อ Staphylococcus aureus, Enterococcus faecium, Candida albicans, Pseudomonas aeruginosa และ MS2 Bacteriophage จากการทดสอบภายนอกโดย Swissatest Testmaterialien AG ในปีคศ 2021 (รายงานการทดสอบหมายเลข 202120117)

## 6.2 มาตรฐานรับรองจาก Woolmark Apparel Care - Blue



โปรแกรมซักผ้าขนสัตว์ของเครื่องซักผ้านี้ได้รับการรับรองโดยบริษัท The Woolmark สำหรับการซักเสื้อผ้าขนสัตว์ที่มีป้ายระบุ "ซักด้วยมือ" โดยมีเงื่อนไขว่า ผลิตภัณฑ์นั้นได้รับการซักตามคำแนะนำบนป้ายเสื้อผ้าและคำแนะนำจากผู้ผลิตเครื่องซักผ้า

รุ่น EWF1043R7WC, EWF1043R7SC, EWF1143R7SC; M1361

รุ่น EWF1343R7WC; M2423

### 6.3 ตัวเลือกเสริมที่สามารถใช้ร่วมกับโปรแกรมได้

ตัวเลือกเสริม	โปรแกรม											
	ผ้าฝ้าย	ผ้าฝ้ายแบบประหมัด	ผ้าเนื้อบาง	เสื้อผ้าเด็ก	เครื่องนอน	ขจัดเชื้อโรค	ปั่นหมาด	ล้างผ้า + ปั่นหมาด	ผ้าขนสัตว์	บุตกีฬา	ซักด้วยน้ำ 15 นาที	ซักด้วยอัตโนมัติ
SmartSelect		■		■		■			■	■	■	
		■	■	■	■	■			■	■		■
		■		■	■	■	■			■		
ไม่ปั่น	■	■	■	■	■		■	■	■	■	■	■
ไม่ระบายน้ำล้างผ้า	■	■	■	■				■	■	■	■	■
ลดรอยยับด้วยไอน้ำ	■		■	■	■					■	■	■
ขจัดคราบ	■	■	■	■	■							
ไอน้ำ <sup>1)</sup>	■	■	■	■	■							
เพิ่มรอบซัก	■	■	■	■						■		
SensorWash <sup>2)</sup>	■		■	■	■					■		
ตั้งเวลาจบ	■	■	■	■	■	■	■	■	■	■	■	■

1) ตัวเลือก "ไอน้ำ" ใช้คู่กับอุณหภูมิ 40°C ถึง 90°C เท่านั้น

2) SensorWash ทำงานตลอดเวลา โดยจะตรวจจับสิ่งสกปรกและคราบผงซักฟอกในผ้าของคุณอย่างชาญฉลาด SensorWash จะปรับระยะเวลาในการซักและรอบการล้างน้ำให้เหมาะสมกับปริมาณผ้าที่ซัก ซึ่งไม่เพียงช่วยให้ผ้าสะอาดอย่างมีประสิทธิภาพสูงสุด แต่ยังช่วยป้องกันความเสียหายต่อเสื้อผ้าและยืดอายุการใช้งาน อย่างไรก็ตาม ฟังก์ชันนี้สามารถปิดใช้งานได้โดยการกดค้างที่ปุ่มสัมผัส "ไอน้ำ (Hygienic Care)" และ "เพิ่มรอบซัก (Prewash)" ประมาณ 3 วินาที จนกว่าหน้าจอจะแสดง F และไอคอน จะดับลง

โปรดทราบว่าการปิดฟังก์ชัน SensorWash อาจส่งผลต่อประสิทธิภาพในการซักของคุณ หากต้องการเปิดใช้งานฟังก์ชัน SensorWash อีกครั้ง ให้ทำตามขั้นตอนเดิม จากนั้นไอคอน F และ จะติดขึ้นตามลำดับ



## 7. SMARTSELECT, การใช้งานตัวเลือกเสริม และการตั้งค่า

### 7.1 SmartSelect

พีเจอาร์ใหม่มีถูกสร้างขึ้นเพื่อแนะนำให้ผู้ใช้งานประหยัดพลังงาน เวลา และน้ำ โดยมีเป้าหมายเพื่อปรับปรุงความยั่งยืนของการดูแลธุรกิจผ้า และประสบการณ์ของผู้บริโภค

ในแต่ละรอบของการซัก จะมีระยะเวลาและปริมาณการซักที่ต่างกันได้ ขึ้นอยู่กับระดับความสกปรกของผ้า

#### ตัวเลือกที่สามารถเลือกได้

##### 1. ลดรอยยับด้วยไอน้ำ

SmartSelect นี้ จะเท่ากับคุณเลือกโปรแกรมลดรอยยับด้วยไอน้ำ ตัวเลือกนี้จะช่วยลดรอยยับและกลิ่นอับ และจะคืนความสดชื่นให้กับเสื้อผ้าโดยไม่จำเป็นต้องซัก

##### 2. ซักแบบอ่อนโยน

ตัวเลือกนี้แนะนำสำหรับผ้าที่สกปรกน้อย ไม่มีคราบฝังแน่นเปื้อน แนะนำซักด้วยน้ำเย็น

##### 3. ซักปกติ

ตัวเลือกนี้เหมาะสำหรับผ้าที่สกปรกน้อย ผ้าที่สวมใส่ในชีวิตประจำวัน มีคราบเล็กน้อย เช่น คราบเหงื่อ แนะนำซักด้วยน้ำอุณหภูมิ 30°C

##### 4. ซักแบบล้ำลึก

ตัวเลือกนี้แนะนำสำหรับผ้าทั่วไป หรือผ้าสกปรกมาก เช่น มีคราบอาหารหรือโคลนเปื้อน

ตัวเลือกที่แนะนำจะเปิดโดยหมุนลูกบิดเลือกโปรแกรมไปที่โปรแกรมซักหลักที่คุณต้องการ ไอคอนของระดับเริ่มต้นจะติดสว่าง

#### คุณสมบัติการเลือกระดับอื่นได้จากการกดไอคอนของแต่ละระดับ

**i** ทุกระดับ SmartSelect สามารถปรับเปลี่ยนอุณหภูมิ ความเร็วในการปั่น และระยะเวลาของโปรแกรมได้

**i** หากระดับที่ว่าจะไม่สามารถเลือกใช้งานได้ การกดจะมีเสียงเตือน และสัญลักษณ์จะกะพริบสองครั้ง

### 7.2 การใช้งานตัวเลือกเสริม

#### อุณหภูมิ (ปุ่มสัมผัส)

กดปุ่มตัวเลือก "อุณหภูมิ" ซ้ำๆ เพื่อเพิ่มหรือลดอุณหภูมิการซัก หากต้องการให้ซักผ้าในช่วงอุณหภูมิอื่นนอกเหนือจากที่เครื่องกำหนด ( - - \* หมายถึงการซักด้วยน้ำเย็น)

**i** การกดที่ระดับ SmartSelect อาจเปลี่ยนอุณหภูมิที่เลือกได้ ระดับ SmartSelect อาจเปลี่ยนแปลงโดยอัตโนมัติตามอุณหภูมิที่เลือก

#### รอบปั่น (ปุ่มสัมผัส)

กดปุ่มตัวเลือก "รอบปั่น" ซ้ำๆ เพื่อเพิ่มหรือลดความเร็วรอบในการปั่นหมาด หากต้องการให้ปั่นหมาดที่ช่วงความเร็วอื่นนอกเหนือจากที่เครื่องกำหนด

##### • ไม่ปั่น ( --- )

ตัวเลือกไม่ปั่นหมาดจะเป็นการยกเลิกรอบการปั่นหมาดทั้งหมด และเพิ่มจำนวนรอบล้างน้ำ

##### • ไม่ระบายน้ำล้างผ้า ( )

หลังจากเลือกตัวเลือกนี้ น้ำจากการล้างน้ำรอบสุดท้ายจะไม่ถูกระบายออกและถังซักจะหมุนตามปกติเพื่อป้องกันผ้าเกิดรอยยับ

ประตูเครื่องยังคงล็อกอยู่เพื่อแจ้งว่าจะต้องระบายน้ำออก

**i** หลังจากสิ้นสุดการทำงาน ประตูจะถูกล็อกไว้เนื่องจากมีน้ำอยู่ในถังซัก หากต้องการให้เครื่องทำงานต่อให้กดปุ่ม >|| (เริ่ม/หยุด)

## ไอน้ำ (ปุ่มสัมผัสน้ำ)

เลือกตัวเลือกนี้เพื่อเพิ่มระยะเวลาในการซักด้วยระบบไอน้ำประมาณ 30 นาที หลังจากสิ้นสุดรอบการล้างผ้า ไอคอนตัวเลือกนี้จะติดสว่างเพื่อแสดงว่าตัวเลือกได้ถูกเลือกแล้ว

- อาจมองไม่เห็นไอน้ำในถังระหว่างรอบการซักด้วยไอน้ำ ไอน้ำจะเกิดขึ้นด้านล่างของถังและจะลอยขึ้นเข้าไปสัมผัสเนื้อผ้าตามธรรมชาติ
- ไอน้ำอาจไม่ปรากฏในระหว่างรอบการซักด้วยไอน้ำทั้งหมด
- ในตอนท้ายของรอบไอน้ำ ผ้าจะอุ่น นุ่ม และจะแยกตัวไม่ติดกับถังซัก

**i** หากเลือกตัวเลือกไอน้ำ อุณหภูมิการล้างน้ำจะถูกเพิ่มขึ้น ระหว่างรอบการซักด้วยไอน้ำ คุณจะสังเกตเห็นไอน้ำออกมาจากสายน้ำทิ้งของเครื่องซึ่งถือเป็นเหตุการณ์ปกติ และไม่มีเหตุให้ตื่นตระหนก

## เพิ่มรอบซัก (ปุ่มสัมผัสน้ำ)

เลือกตัวเลือกนี้หากต้องการให้เพิ่มรอบการซักผ้าก่อนรอบการซักหลักใช้ตัวเลือกนี้ในกรณีที่ผ้าสกปรกมาก ไฟแอลอีดีที่สัญลักษณ์ตัวเลือกนี้จะติดสว่างเพื่อแสดงว่าตัวเลือกได้ถูกเลือกแล้ว หลังจากตั้งค่าตัวเลือกนี้ให้เต็มผงซักฟอกในช่องเพิ่มรอบซัก

ตัวเลือกนี้จะเพิ่มระยะเวลาของโปรแกรม

## ขจัดคราบ (ปุ่มสัมผัสน้ำ)

กดปุ่มนี้เพื่อเพิ่มขั้นตอนการขจัดคราบลงในโปรแกรมหลัก ไฟแสดงสถานะของตัวเลือกนี้จะติดสว่าง

ใช้ฟังก์ชันนี้เพื่อขจัดคราบสกปรกที่ฝังแน่น

เมื่อคุณตั้งค่าฟังก์ชันนี้ ให้ใส่สารขจัดคราบลงในช่องเพิ่มรอบซัก

## สั่งงานผ่านแอป (📶) (ปุ่มสัมผัสน้ำ)

ตัวเลือกนี้ช่วยให้คุณเชื่อมต่อเครื่องกับเครือข่าย Wi-Fi และเชื่อมโยงกับสมาร์ทโฟนของคุณได้

ด้วยฟังก์ชันนี้ คุณสามารถรับการแจ้งเตือนควบคุม และตรวจสอบเครื่องของคุณจากอุปกรณ์โทรศัพท์มือถือได้

### โปรดดูรายละเอียดที่หัวข้อ "📶 การตั้งค่าการเชื่อมต่อ WI-FI"

**i** เมื่อเปิดประตูเครื่อง การสั่งงานผ่านแอปจะถูกปิด

## ตั้งเวลาจบ (🕒) (ปุ่มสัมผัสน้ำ)

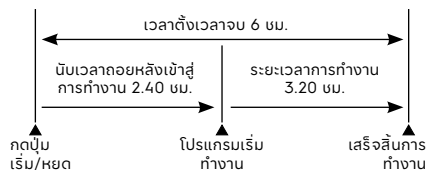
ก่อนที่คุณจะเริ่มต้นการทำงานของโปรแกรมตัวเลือกนี้ช่วยให้คุณสามารถกำหนดเวลาจบของการซักได้ โดยสามารถกำหนดได้ตั้งแต่ 1 ชั่วโมง ไปจนถึง 24 ชั่วโมง

**i** ถ้าหากระยะเวลาการทำงานของโปรแกรมที่เลือกมีระยะเวลานานกว่า 3 ชม. เวลาที่เลือกได้ของฟังก์ชันนี้คือ 4 ชม. ขึ้นไป

ปุ่มนี้ใช้สำหรับเปิดใช้งานตัวเลือก **ตั้งเวลาจบ (Finish In)** — 🕒 + และสามารถปรับตั้งเวลาโดยกดปุ่ม **บวก (+ เพิ่มเวลา)** และ **ลบ (- ลดเวลา)** สามารถปรับเวลาเพิ่ม 1 ชั่วโมงทุกครั้งที่กดปุ่ม + และลดลง 1 ชั่วโมงเมื่อกดปุ่ม - และลดจนถึง 0

**i** ให้เลือกตัวเลือกนี้หลังจากที่คุณทำการเลือกโปรแกรมหลักเสร็จสิ้นแล้ว และก่อนกดปุ่ม "เริ่ม/หยุด"

ยกตัวอย่างเช่น หากระยะเวลาการทำงานของโปรแกรมที่เลือกเท่ากับ 3.20 ชม. และคุณเลือกตั้งเวลาจบเป็น 6 ชม. หมายความว่าเครื่องจะทำงานเสร็จสิ้นภายในระยะเวลา 6 ชม. (ตั้งอธิบายในแผนภาพนี้)



หลังจากเลือกระยะเวลาของการตั้งเวลาจบทำงาน ให้กดปุ่ม ▷|| (เริ่ม/หยุด) เพื่อเริ่มการทำงาน เครื่องจะเริ่มนับเวลาถอยหลังและอัปเดตเวลาบนจอแสดงผลในแต่ละชั่วโมง จนกว่าจะถึงเวลาเริ่มต้นของโปรแกรมที่เลือก

หากคุณสามารถเริ่มห้วงเวลาไปแล้ว และคุณต้องการที่จะยกเลิกหรือปรับเปลี่ยนเวลาให้ปฏิบัติดังนี้

1. หยุดการทำงานเครื่องชั่วคราวโดยกดปุ่ม ▷|| (เริ่ม/หยุด)
2. กดปุ่ม "เปิด/ปิด" เพื่อปิดเครื่องและเปิดอีกครั้ง

**i** หลังจากเครื่องทำงาน เครื่องไม่สามารถหยุดชั่วคราวได้ และลดเวลาของการตั้งเวลาจบลงเหลือ ๒๒

## 7.3 การตั้งค่า

### ล็อก (🔒)

เครื่องมีระบบล็อกปุ่มแผงควบคุม เพื่อป้องกันการกดเล่นของเด็กขณะที่คุณไม่ได้อยู่ที่เครื่อง โดยคุณไม่ต้องคอยกังวลว่าเด็กอาจได้รีบบาดเจ็บหรือทำให้เกิดความเสียหายกับเครื่อง

**i** ตั้งค่าตัวเลือกนี้หลังจากกดปุ่ม "เริ่ม/หยุด"

### ปฏิบัติตามขั้นตอนดังต่อไปนี้

- คุณสามารถเปิดฟังก์ชันนี้โดยกดค้างที่ปุ่ม "ไอคอน" ประมาณ 3 วินาที จอแสดงผลจะแสดงไอคอน 🔒

**i** ถ้าคุณกดปุ่มใดๆ ขณะที่ฟังก์ชันนี้ทำงาน ไอคอน 🔒 จะกะพริบบนจอ 3 ครั้งพร้อมกันเสียงเตือน

ฟังก์ชันนี้ยังคงเปิดใช้งานอยู่ แม้ว่าจะปิดเครื่องแล้วก็ตาม

- การปิดฟังก์ชันทำโดยการกดค้างที่ปุ่มเดิมจนไอคอนที่เกี่ยวข้องจะหายไป

## บันทึกโปรแกรมซักรประจำ/รายการโปรดผ่านแอป 📱

**i** ใช้งานได้เมื่อเปิดโหมดสั่งงานผ่านแอป (Remote Start) เท่านั้น

คุณสามารถบันทึกโปรแกรมที่ใช้บ่อยๆ ได้ เช่น โปรแกรมผ้าฝ้าย ซักที่น้ำ 60°C ความเร็วรอบปั่น 1200 รอบต่อนาที เสริมด้วยตัวเลือกเพิ่มรอบซักและไอน้ำ

การบันทึกโปรแกรมซักรประจำ/บันทึกซ้ำ ทำได้ดังนี้

1. เปิดเครื่อง
2. เชื่อมต่อเครื่องเข้ากับเครือข่าย Wi-Fi และแอปพลิเคชัน
3. เลือกการตั้งค่าการซักรที่คุณต้องการ จากนั้นบันทึก (ทำตามคำแนะนำในแอปพลิเคชัน)

การเรียกใช้งานโปรแกรมซักรประจำ/รายการโปรดทำได้โดยหมุนลูกบิดเลือกโปรแกรมไปที่ตำแหน่ง "📱"

โปรแกรมซักรประจำ/รายการโปรดที่คุณบันทึกไว้จะปรากฏที่จอแสดงผล

กดปุ่ม "เริ่ม/หยุด" เพื่อเริ่มโปรแกรม

## การเปิด/ปิดเสียงเตือนเมื่อสิ้นสุดโปรแกรมการทำงาน

การตั้งค่านี้นี้ช่วยให้คุณสามารถปิดเสียงเตือนของเครื่องหลังจากโปรแกรมสิ้นสุดการทำงาน ตัวอย่างเช่น หากคุณตั้งโปรแกรมซักรผ้าก่อนที่คุณจะเข้านอน และโปรแกรมจะสิ้นสุดการทำงานอีกประมาณ 1 ชั่วโมง หากคุณปิดเสียงเตือนนี้แล้ว เครื่องจะไม่ส่งเสียงเตือนรบกวนคุณหลังจบการทำงานตลอดทั้งคืน

**i** สัญญาณเตือนการทำงานผิดพลาดของเครื่องจะไม่ถูกปิดด้วยการตั้งค่านี้นี้

- ปิดเสียงเตือนโดยกดปุ่ม "อุณหภูมิ" และ "รอบปั่น" ค้างไว้พร้อมกันจนกระทั่งจอแสดงผลจะแสดง ๒ F พร้อมเสียงเตือน
- เปิดเสียงเตือนโดยกดค้างปุ่มทั้งสองอีกครั้งจนกระทั่งจอแสดงผลแสดง ๒ F พร้อมเสียงเตือน

## 7.4 เริ่ม/หยุด (▶||) และหยุดเพิ่มผ้า (🌀) (ปุ่มสัมผัส)

ปุ่มนี้สามารถทำงานได้ 2 ฟังก์ชันคือ

### 1. เริ่ม/หยุด (▶||)

หลังจากที่คุณเลือกโปรแกรมและตัวเลือกเสริมที่ต้องการแล้ว ให้กดปุ่มนี้เพื่อให้โปรแกรมเริ่มทำงาน ไฟแอลอีดีที่ปุ่มนี้จะหยุดกะพริบและติดสว่าง

ถ้าหากคุณสามารถเลือกใช้ตัวเลือก "ตั้งเวลาจบ" หลังจากกดปุ่มนี้ เครื่องจะทำการนับถอยหลังและแสดงเวลาที่จอแสดงผลเพื่อเข้าสู่โปรแกรม หากคุณต้องการที่จะหยุดการทำงานของเครื่องชั่วคราวให้กดปุ่มนี้ ไฟแอลอีดีที่ปุ่มนี้จะติดสว่างและกะพริบ

กดปุ่มนี้อีกครั้งหากคุณต้องการเริ่มการทำงานของเครื่องที่หยุดชั่วคราวไว้ ไฟแอลอีดีจะหยุดกะพริบ

### 2. หยุดเพิ่มผ้า (🌀)

**i** คุณสามารถเพิ่มผ้าได้ในขณะที่โอคอน 🌀 แสดงบนจอแสดงผลเท่านั้น

1. กดปุ่ม "เริ่ม/หยุด" เพื่อหยุดโปรแกรมการทำงานไว้ชั่วคราว
2. รอจนกระทั่งเครื่องหยุด และโอคอนประตูถูกล็อค 🔒 ดับลงก่อน ถึงสามารถเปิดประตูได้
3. เพิ่มผ้า (ตามที่ต้องการ) และปิดประตูเครื่อง
4. กดปุ่ม "เริ่ม/หยุด" อีกครั้งเพื่อให้เครื่องทำงานต่อ

## 8. 📶 การตั้งค่าการเชื่อมต่อ WI-FI

**i** ซอฟต์แวร์ในผลิตภัณฑ์นี้มีส่วนประกอบที่อิงตามซอฟต์แวร์แบบฟรีและโอเพนซอร์ส อิเล็กทรอนิกส์ขอขอบคุณอย่างสูงต่อการสนับสนุนของชุมชนซอฟต์แวร์โอเพนซอร์สและหุ่นยนต์ต่อโครงการพัฒนานี้ หากต้องการเข้าถึงซอร์สโค้ดของส่วนประกอบซอฟต์แวร์แบบฟรีและโอเพนซอร์สที่เงื่อนไขของใบอนุญาตกำหนดให้เผยแพร่ รวมถึงข้อมูลลิขสิทธิ์ฉบับเต็มและเงื่อนไขใบอนุญาตที่เกี่ยวข้อง สามารถเข้าดูข้อมูลได้ที่: <http://electrolux.pensoftwarerepository.com> (แพ้ม NIUS)

บทนี้อธิบายเกี่ยวกับวิธีการเชื่อมต่อเครื่องกับเครือข่ายไร้สาย (Wi-Fi) และเชื่อมต่อไปยังโทรศัพท์มือถือด้วยฟังก์ชันนี้ คุณสามารถดูการทำงานและควบคุมเครื่องของคุณจากโทรศัพท์มือถือได้

การเชื่อมต่อเครื่องของคุณและสนุกกับการใช้งานอย่างเต็มประสิทธิภาพ รวมถึงบริการต่างๆ คุณจำเป็นต้องมีสิ่งเหล่านี้

- ระบบเชื่อมต่อไร้สาย (Wi-Fi) ที่บ้าน และระบบอินเทอร์เน็ตที่พร้อมใช้งาน
- โทรศัพท์ที่สามารถใช้เชื่อมต่อกับระบบเชื่อมต่อไร้สาย (Wi-Fi)

ความถี่/ โปรโตคอล	Wi-Fi: 2.4 GHz / 802.11 bgn
พลังงานสูงสุด	Wi-Fi 2.4 GHz: < 20 dBm
การเข้ารหัส	WPA, WPA2, WEP

### 8.1 การดาวน์โหลดและติดตั้งแอปพลิเคชัน

1. ไปดาวน์โหลดแอปพลิเคชันได้ที่ App Store/ Play Store และติดตั้งลงในโทรศัพท์ของคุณ



**i** ความต้องการขั้นต่ำ: iPhone 6/iOS 9.3/ Android 5.1 หรือสูงกว่า  
คุณจะต้องติดตั้งแอปของเรา สร้างบัญชี และ ยอมรับข้อกำหนด เงื่อนไข และนโยบายความเป็นส่วนตัว ส่วนตัวของฮิลেকโทรลิกซ์ในแอปเพื่อใช้คุณสมบัติที่เชื่อมต่อของเครื่องซีกผ้า/อบผ้า  
ต้องใช้การเชื่อมต่ออินเทอร์เน็ตและ Wi-Fi เพื่อใช้คุณสมบัติทั้งหมดของแอปและเครื่องซีกผ้า/อบผ้า  
ข้อกำหนดขั้นต่ำ แอป และบริการอาจเปลี่ยนแปลงได้โดยไม่ต้องแจ้งให้ทราบล่วงหน้า

2. สร้างบัญชีผู้ใช้ บัญชีนี้สามารถแชร์กับอุปกรณ์หลายเครื่องได้



## 8.2 การเชื่อมต่อเครือข่าย Wi-Fi

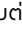
### การเปิด Wi-Fi

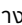
การเชื่อมต่อเครื่องกับเครือข่าย Wi-Fi โดยกดปุ่มสั่งงานผ่านแอป **คือ** (Remote Start) ค้างไว้ 5 วินาที

ขั้นตอนนี้จะเปิดจุดเชื่อมต่อ (เข้าสู่โหมด AP) หากไม่ได้มีการจัดเตรียมไว้ก่อนหน้านี้ ระบบจะเริ่มกระบวนการจัดเตรียม

เมื่อจุดเชื่อมต่อเปิดอยู่ ถ้ามีการให้ข้อมูลรับรองเครือข่ายใหม่ เครือข่ายที่บันทึกไว้ก่อนหน้านี้จะถูกแทนที่แต่หากไม่มีระบบจะยังคงเชื่อมต่อกับเครือข่ายเดิมที่บันทึกไว้

ในขั้นตอนนี้ ไอคอน Wi-Fi  และข้อความ **AP** แสดงบนหน้าจอแสดงผล ในขณะที่ไฟแสดงสถานะอื่นๆ ทั้งหมดบนแผงควบคุมจะดับลง ไอคอน Wi-Fi  จะเริ่มกะพริบ

เมื่อจุดเชื่อมต่อเปิดอยู่ **AP** จะแสดงบนหน้าจอ ไอคอน Wi-Fi  จะกะพริบต่อไปจนกว่าจะเชื่อมต่อกับเครือข่าย Wi-Fi ในบ้านได้

เมื่อการจัดเตรียมเสร็จสิ้น จะมีเสียงเตือนและไอคอน Wi-Fi  จะติดสว่างขึ้นอย่างต่อเนื่อง

**i** หากกดปุ่มใดๆ ในช่วงที่ Wi-Fi และจุดเชื่อมต่อกำลังเปิดอยู่ จะมีเสียงเตือนข้อผิดพลาดดังขึ้น

### เชื่อมต่อเครื่องของคุณกับแอปของเราโดยปฏิบัติตามกระบวนการตั้งค่าในแอปพลิเคชัน

เมื่อเชื่อมต่อแล้ว กดที่ปุ่มสั่งงานผ่านแอป **คือ** เปิดใช้งาน ผู้ใช้สามารถสั่งเริ่มโปรแกรมจากระยะไกลบนแอปของเราได้


### การเชื่อมต่ออัตโนมัติกับเครือข่ายที่ลงทะเบียน

เมื่อเครื่องทำการติดตั้งและลงทะเบียน/เชื่อมต่อกับเครือข่าย (Wi-Fi) ในบ้านเรียบร้อยแล้ว ทุกครั้งที่เปิดเครื่อง เครื่องจะพยายามเชื่อมต่อกับเครือข่าย (Wi-Fi) โดยอัตโนมัติ จะไม่มีเสียงใดๆเกิดขึ้นหากเชื่อมต่อสำเร็จ

### การเชื่อมต่อกับเครือข่ายอื่น (การเปิดจุดเชื่อมต่อใหม่)

ทุกครั้งที่ใช้กดปุ่มสั่งงานผ่านแอป **คือ** ค้างไว้ 10 วินาที จุดเชื่อมต่อจะเปิดและกระจายสัญญาณ ข้อมูลรับรองเครือข่ายใหม่ที่ได้รับ ณ จุดนี้จะบันทึกกับข้อมูลเดิมที่บันทึกไว้ก่อนหน้านี้ และอุปกรณ์จะเชื่อมต่อกับเครือข่าย (Wi-Fi) ใหม่

### การปิด Wi-Fi

ถ้าผู้ใช้ตัดสินใจที่จะไม่เชื่อมต่ออุปกรณ์กับ Wi-Fi อีกต่อไป สามารถกดที่ปุ่มสั่งงานผ่านแอป **คือ** ค้างไว้ 10 วินาที อุปกรณ์จะรีเซ็ตและปิดเครื่องเอง หน้าจอจะแสดงเพียง **Fn** เป็นเวลา 5 วินาที ในขณะที่สัญลักษณ์อื่น ๆ บนแผงควบคุมจะปิดอยู่ หลังจากรีเซ็ต หน้าจอจะกลับสู่สภาพเริ่มต้น พร้อมกับไอคอน Wi-Fi  ที่ปิดอยู่

### 8.3 การอัปเดตแบบ Over-the-air

แอปพลิเคชันอาจเสนอให้ดาวน์โหลดเฟิร์มแวร์ใหม่ การอัปเดตจะผ่านแอปเท่านั้น

หากมีโปรแกรมกำลังทำงานอยู่ แอปจะแจ้งว่าการอัปเดตจะเริ่มขึ้นหลังจากโปรแกรมเสร็จสิ้น

ในระหว่างการอัปเดต อุปกรณ์จะแสดงสัญลักษณ์ Update บนหน้าจอ

เมื่อการอัปเดตเสร็จสิ้น อุปกรณ์จะกลับมาใช้งานได้ตามปกติโดยไม่มีอาการแจ้งเตือนเกี่ยวกับการอัปเดต

หากเกิดข้อผิดพลาด อุปกรณ์จะแสดงสัญลักษณ์ Error บนหน้าจอ กดปุ่มใดก็ได้หรือหมุนลูกบิดเลือกโปรแกรมเพื่อกลับไปใช้ฟังก์ชันปกติ

### 8.4 Wi-Fi เปิดตลอดเวลา

ฟังก์ชันนี้สามารถใช้งานได้ในแอปของเรา

ฟังก์ชันนี้จะทำให้เครื่องเชื่อมต่อกับเครือข่าย (Wi-Fi) ได้ตลอดเวลาแม้เครื่องถูกปิด

ไอคอน  จะเปิดและปิดสลับกันไป

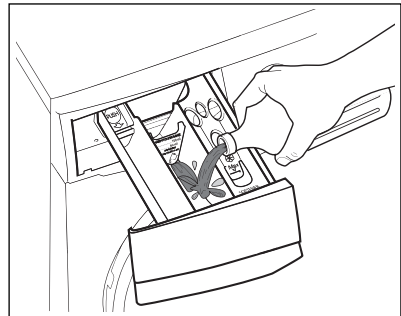
การเปิดอุปกรณ์สามารถทำได้โดยการกดปุ่ม "เปิด/ปิด" หรือผ่านแอปของเรา

**i** ฟังก์ชัน Wi-Fi เปิดตลอดเวลา อาจส่งผลต่อการใช้พลังงานของคุณ

## 9. ก่อนการใช้งานครั้งแรก

**i** ระหว่างติดตั้งหรือก่อนการใช้งานครั้งแรก คุณอาจสังเกตเห็นน้ำภายในเครื่อง น้ำนี้เกิดจากกระบวนการตรวจสอบฟังก์ชันการทำงานของเครื่องจากโรงงานผลิต เพื่อให้มั่นใจว่าเครื่องที่จะส่งถึงลูกค้าทำงานได้อย่างสมบูรณ์ และน้ำนี้ไม่เป็นปัญหาที่คุณต้องกังวลแต่อย่างใด

1. ตรวจสอบให้แน่ใจว่าระบบไฟฟ้าและน้ำได้ติดตั้งตามคำแนะนำในการติดตั้ง
2. เติมน้ำ 2 ลิตร ในช่องเติมน้ำสำรองเพื่อกระตุ้นการทำงานของระบบระบายน้ำ
3. เลือกโปรแกรม "ผ้าฝ้าย" ที่อุณหภูมิ 90 °C โดยไม่ต้องบรรจุผ้า เพื่อทำความสะอาดสิ่งตกค้างจากการผลิตออกจากถังซักและจุดต่างๆ จากนั้นเริ่มการทำงานของเครื่อง

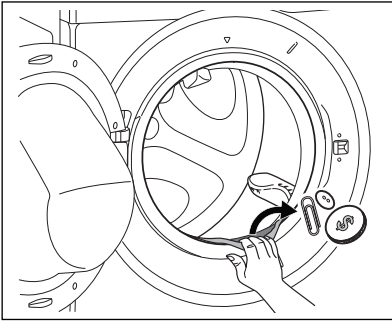


**i** รูปที่แสดงในคู่มือนี้เป็นเพียงตัวอย่างและตำแหน่งการใช้งานอาจไม่ตรงกับผลิตภัณฑ์ของคุณทุกประการ เนื่องจากหากชิ้นส่วนเหล่านี้ไม่ได้มีในรุ่นผลิตภัณฑ์ที่คุณซื้อ ชิ้นส่วนนั้นจะใช้ได้กับรุ่นอื่น

## 10. การใช้งานประจำวัน

### 10.1 การบรรจุผ้าลงถังซัก

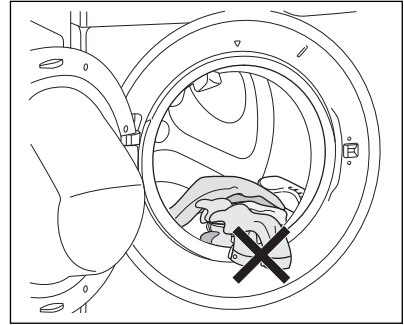
1. เปิดก๊อกน้ำ
2. เสียบปลั๊กเข้ากับเต้ารับ
3. กดปุ่ม "เปิด/ปิด" เปิดเครื่อง  
หมุนลูกบิดเลือกโปรแกรมเลือกโปรแกรมซักที่  
ต้องการ เครื่องจะแสดงอุณหภูมิและความเร็ว  
รอบปั่นของโปรแกรมนั้นให้โดยอัตโนมัติ  
  
ลูกบิดเลือกโปรแกรมสามารถหมุนได้ทั้งตามเข็มนาฬิกาและทวนเข็มนาฬิกา
4. ตรวจสอบและนำสิ่งแปลกปลอมออก (ถ้ามี)  
อาจมีการตกค้างบริเวณร่องยางรองขอบประตู



5. บรรจุผ้าลงถังซักทีละชั้น คลี่ให้กระจายออก  
มากที่สุดเท่าที่ทำได้ (ดูรายละเอียดที่หัวข้อคำ  
แนะนำในการซักผ้า หน้า 67)
6. ปิดประตูเครื่อง

#### ⚠ คำเตือน!

อย่าให้มีผ้าหลงเหลือระหว่างยางขอบประตู  
และประตูเครื่อง

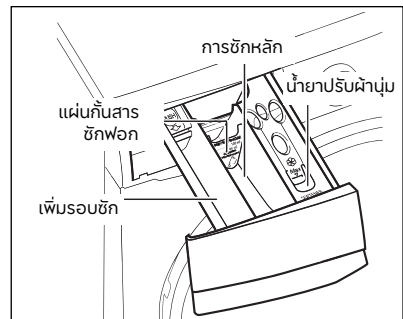


### 10.2 การใช้สารซักฟอกและน้ำยาปรับสภาพ

❗ ดูรายละเอียดที่หัวข้อชนิดของผงซักฟอกและปริมาณการใช้งาน หน้า 68 ก่อนเริ่มการซัก

❗ รูปที่แสดงในคู่มือนี้เป็นเพียงตัวอย่างและตำแหน่งการใช้งานอาจไม่ตรงกับผลิตภัณฑ์ของคุณทุกประการ เนื่องจากหากชิ้นส่วนเหล่านี้ไม่ได้มีในรุ่นผลิตภัณฑ์ที่คุณซื้อ ชิ้นส่วนนั้นจะใช้ได้กับรุ่นอื่น

1. สิ้นซักสำหรับเติมผงซักฟอก แบ่งออกเป็น 3 ช่องดังนี้



#### • ช่อง "เพิ่มรอบซัก"

ช่องนี้ใช้สำหรับเติมสารซักฟอกสำหรับตัวเลือก "เพิ่มรอบซัก"

• **ช่อง "การซักหลัก"**

ช่องนี้ใช้สำหรับเติมสารซักฟอกสำหรับทุกโปรแกรมซัก

• **ช่อง "น้ำยาปรับผ้านุ่ม"**

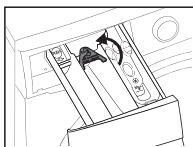
ช่องดังกล่าวนี้ใช้สำหรับเติมน้ำยาปรับผ้านุ่มและน้ำยาอัดทิส

• **แผ่นกั้นสารซักฟอก**

พับแผ่นกั้นก่อนที่จะเติมผงซักฟอกหรือน้ำยาซักผ้า



**พับลง** สำหรับน้ำยาซักผ้า (สารซักฟอกแบบน้ำ)



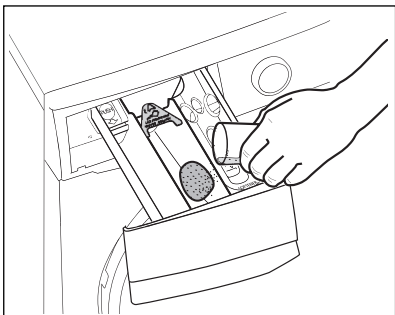
**พับขึ้น** สำหรับผงซักผ้า (ผงซักฟอก)

**i** หากคุณใช้น้ำยาซักผ้าควรปฏิบัติตามนี้

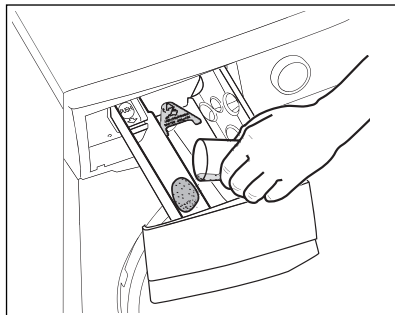
- อย่าใช้น้ำยาซักผ้าที่เป็นเจลหรือเหนียวข้น
- อย่าเติมมากกว่าระดับสูงสุดที่กำหนด
- อย่าเลือกตัวเลือก "เพิ่มรอบซัก"
- อย่าตั้งค่า "ตั้งเวลาจบ"

2. **ตวงสารซักผ้าและน้ำยาปรับผ้านุ่ม**

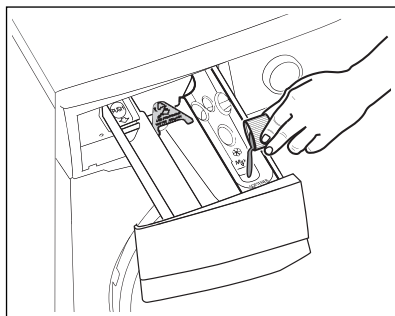
- ดึงลิ้นชักเติมสารซักฟอกออกมาจนสุด
- ตวงปริมาณของสารซักผ้าที่ต้องการจากนั้นเติมลงในช่องการซักหลัก (สำหรับโปรแกรมการซักหลัก)



- หากเลือก "เพิ่มรอบซัก" ให้เติมผงซักฟอกในช่องเพิ่มรอบซัก



- ถ้าต้องการเติมน้ำยาปรับผ้านุ่ม ให้เติมลงในช่องน้ำยาปรับผ้านุ่ม



- เสือิ้นชักเติมสารซักฟอกปิดเบาๆ

**i** ปริมาณที่ใช้ต้องไม่เกินขีด MAX

หากคุณใช้น้ำยาปรับผ้านุ่มชนิดเข้มข้นแนะนำให้เจือจางด้วยน้ำก่อนเติม

หลังจากการทำงานอาจมีผงซักฟอก น้ำยาปรับผ้านุ่ม และน้ำตกค้างอยู่ในลิ้นชักเติมสารซักผ้า แนะนำให้ทำความสะอาดทุกครั้งหลังการใช้งาน เพื่อขำระสิ่งตกค้างออก



### 10.3 การตั้งค่าตัวเลือกเสริม

1. หากต้องการให้ปืนหมาดหรือใช้อุณหภูมิอื่นนอกเหนือจากที่เครื่องกำหนดไว้ กดที่ปุ่ม "รอบปืน" และ "อุณหภูมิ" ซ้ำๆ จนกระทั่งความเร็วรอบปืนหมาดและอุณหภูมิเปลี่ยนไปยังค่าที่ต้องการ กดปุ่มที่มีสัญลักษณ์ตัวเลือกเสริมหากต้องการให้ซีกผ้าโดยใช้ฟังก์ชันพิเศษ

**i** ตัวเลือกเสริมแต่ละฟังก์ชันที่เลือกได้จะขึ้นอยู่กับโปรแกรมที่เลือก หากตัวเลือกไหนไม่สามารถเลือกร่วมกับโปรแกรมที่เลือกได้ จะแสดงผลจะแสดงสัญลักษณ์ --- พร้อมเสียงเตือน

2. หากต้องการห้วงเวลาเริ่มการทำงานของโปรแกรมที่เลือก กดปุ่ม "ตั้งเวลาจบ" เพื่อเลือกระยะเวลาเริ่มการทำงานของโปรแกรม

### 10.4 เริ่มการทำงานของโปรแกรม (▷||)

เริ่มโปรแกรมโดยกดปุ่ม "เริ่ม/หยุด" ไฟแอลอีดีแสดงการทำงานที่เกี่ยวข้องจะหยุดกะพริบและเวลาการทำงานเบื้องต้นของโปรแกรมจะแสดงที่จอแสดงผล

หลังโปรแกรมเริ่มทำงานประมาณ 15 นาที

- เครื่องจะปรับเวลาในการทำงานของโปรแกรมที่เลือกอีกครั้ง ตามชนิดและปริมาณของผ้าที่บรรจุ
- จอแสดงผลจะแสดงระยะเวลาการทำงานใหม่อีกครั้ง

**i** หากกดปุ่มใดๆ ขณะที่เครื่องกำลังทำงานที่จอแสดงผลจะแสดงสัญลักษณ์ --- พร้อมเสียงเตือน (ยกเว้นปุ่ม "เริ่ม/หยุด" และ "เปิด/ปิด")

### 10.5 หยุดการทำงานของโปรแกรม

- หยุดการทำงานของโปรแกรม กด "เริ่ม/หยุด" ไฟแอลอีดีจะกะพริบ
- กดปุ่ม "เริ่ม/หยุด" อีกครั้งโปรแกรมจะกลับมาทำงาน

### 10.6 เปลี่ยนโปรแกรมการทำงาน

สามารถเปลี่ยนโปรแกรมได้ก็ต่อเมื่อปิดการทำงานของเครื่องแล้วเปิดเครื่องใหม่เท่านั้น

- ยกเลิกโปรแกรมโดยกดปุ่ม "เปิด/ปิด" ปิดเครื่อง

- กดปุ่ม "เปิด/ปิด" อีกครั้งเพื่อเปิดเครื่อง

ตอนนี้คุณสามารถเลือกโปรแกรมซีกและตัวเลือกเสริมใหม่ได้ กดปุ่ม "เริ่ม/หยุด" (▷||) เพื่อเริ่มโปรแกรม

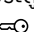
**i** หากมีน้ำในถังซีกเครื่องจะยังไม่ทำการระบายน้ำ (ยกเว้นโปรแกรมขจัดเชื้อโรค ปืนหมาดและล้างถังซีก)

### 10.7 เปลี่ยนตัวเลือกเสริม

หลังจากเริ่มต้นโปรแกรมการทำงานแล้ว สามารถเปลี่ยนตัวเลือกเสริมได้บางส่วนเท่านั้น

1. กดปุ่ม "เริ่ม/หยุด" เพื่อหยุดการทำงานชั่วคราว ไฟแอลอีดีจะกะพริบ
2. เปลี่ยนตัวเลือกที่สามารถเลือกได้
3. กดปุ่ม "เริ่ม/หยุด" อีกครั้งเพื่อให้เครื่องทำงานต่อ

### 10.8 การเปิดประตูเครื่องซีกผ้า

ขณะโปรแกรมหรือตั้งเวลาจบกำลังทำงานประตูเครื่องจะล็อกและจอแสดงผลแสดงไอคอน 

เริ่มจากตั้งค่าหยุดการทำงานของเครื่องชั่วคราวโดยการกดปุ่ม "เริ่ม/หยุด" รอให้ไอคอนแจ้งการล็อกของประตูหายไปจากจอแสดงผลจากนั้นจะสามารถเปิดประตูเครื่องได้

หากไอคอนแจ้งการล๊อคของประตู ๔๐ ไม่หายไป แสดงว่าเครื่องกำลังทำความร้อน และระดับน้ำอยู่ เกินกว่าขอบด้านล่างของประตู หรือถึงซีกกำลัง หมุนอยู่ในกรณีนี้จะไม่สามารถเปิดประตูเครื่องได้

หากคุณต้องการที่จะเปิดประตูเครื่องคุณต้อง ทำการระบายน้ำออกจากเครื่องก่อน

ในกรณีที่เปิดใช้งานสั่งงานผ่านแอป (Remote Start ๓) อยู่ เมื่อรอบโปรแกรมสิ้นสุดและขั้นตอน การลดรอบยับเสร็จสมบูรณ์ ประตูเครื่องจะยัง ล็อคอีก 5 นาที หากคุณต้องการเปิดประตูในเวลา นั้น กดปุ่มสั่งงานผ่านแอป (๓) หนึ่งครั้งเพื่อปิด พังก์ชัน จากนั้นประตูจะปลดล็อค

### ⚠ คำเตือน!

หากเป็นกรณีฉุกเฉินหรือเร่งด่วนที่ต้องการเปิด ประตูเครื่องโดยทันที กรุณาละเอียดจากหัวข้อ การเปิดประตูกรณีฉุกเฉิน หน้า 78

## 10.9 หลังจากจบการทำงานของ โปรแกรม

- เครื่องหยุดทำงานโดยอัตโนมัติ
- สัญญาณเสียงจะดังขึ้น
- จอแสดงผลจะแสดง ๓:๓๓
- ไฟแอลอีดีที่ปุ่ม "เริ่ม/หยุด" จะดับลง
- ไอคอนล๊อคประตู ๔๐ ดับลง
- นำผ้าออกจากเครื่อง ตรวจสอบให้แน่ใจว่านำ ผ้าออกหมดแล้ว
- เปิดประตูทิ้งไว้สักครู่เพื่อป้องกันราหรือกลิ่น
- ปิดค็อกน้ำ

ⓘ ในช่วงสุดท้ายของการทำงานของโปรแกรม เวลาคงเหลือสามารถเป็นไปได้นับตั้งแต่ 7 นาที หรือน้อยกว่าจนถึง 0 นาที เนื่องจากการคำนวณ เวลาการทำงานที่มากขึ้นจริงในช่วงการตรวจสอบปริมาณผ้า

ในบางกรณี เช่นผ้าในถังซักอยู่ในลักษณะสมดุล ตลอดเวลาขณะโปรแกรมทำงาน เวลาที่ใช้ในการ ทำงานสามารถน้อยกว่าเวลาที่เครื่องคำนวณไว้ หลังจากที่คุณตรวจสอบปริมาณผ้าที่บรรจุ แล้วเสร็จสิ้น กรณีดังกล่าวถือเป็นเรื่องปกติของ เครื่องซัก และไม่เป็นสาเหตุให้ประสิทธิภาพการ ทำงานของเครื่องลดลงแต่อย่างใด

## 10.10 เมื่อโปรแกรมการซักเสร็จสิ้นแต่ มีน้ำค้างอยู่ในถัง

(กรณีใช้งานตัวเลือก "ไม่ระบายน้ำล้างผ้า □")

- ถังจะหมุนตามปกติเพื่อป้องกันรอยยับ
- ไฟแอลอีดีที่ปุ่ม "เริ่ม/หยุด" จะกะพริบเพื่อบอก ให้ทราบว่าต้องทำการระบายน้ำออก
- ไอคอนล๊อคประตู ๔๐ ยังแสดงที่จอแสดงผล เพื่อบอกให้ทราบว่าประตูเครื่องยังคงล๊อคอยู่

ⓘ คุณต้องระบายน้ำออก เพื่อเปิดประตูเครื่อง

### ทำการระบายน้ำโดย

1. กดปุ่ม "เริ่ม/หยุด" (▶||) เครื่องจะดำเนินการระบายน้ำออกจากถังซัก พร้อมกับปรับโหมด ที่ความเร็วรอบสูงสุดของโปรแกรมซักที่คุณ เลือกไว้  
**อีกทางเลือกหนึ่ง**, ก่อนที่จะกดปุ่ม "เริ่ม/หยุด" คุณสามารถกดปุ่ม "รอบปั่น" เพื่อเปลี่ยน ความเร็วรอบและเลือก "ไม่ปั่น (----)" เมื่อ คุณต้องการให้เครื่องระบายน้ำออกเพียงอย่างเดียว
2. หลังจากโปรแกรมทำงานเสร็จสิ้น และไอคอน ล๊อคประตู ๔๐ ดับลง คุณสามารถเปิดประตู เครื่องได้
3. กดปุ่ม "เปิด/ปิด" เพื่อปิดเครื่อง

ⓘ หลังจากเวลาประมาณ 18 ชั่วโมง หากคุณไม่ได้กดปุ่ม "เริ่ม/หยุด" เครื่องจะดำเนินการระบาย น้ำออกและปั่นหมาดโดยอัตโนมัติ

## 10.11 โหมดลดการใช้พลังงานโดย อัตโนมัติ

โหมดนี้จะปิดการใช้งานเครื่องโดยอัตโนมัติ เพื่อลด การใช้พลังงานเมื่อ

- คุณไม่กดปุ่มใดๆ 5 นาที ก่อนที่จะกดปุ่ม "เริ่ม/หยุด"
  - กดปุ่ม "เปิด/ปิด" เพื่อเปิดเครื่องอีกครั้ง
- หลังจากจบโปรแกรมซักแล้ว 5 นาที
  - กดปุ่ม "เปิด/ปิด" เพื่อเปิดเครื่องอีกครั้ง จอแสดงผลจะแสดงสถานะจบการทำงาน ของโปรแกรมล่าสุด
  - กดปุ่มใดก็ได้ อีกครั้งเพื่อแสดงโปรแกรม ล่าสุด

# 11. คำแนะนำในการซักผ้า

## 11.1 การแยกประเภทผ้าที่จะซัก

ปฏิบัติตามสัญลักษณ์การซักบนฉลากผ้าแต่ละชิ้น และคำแนะนำการซักจากผู้ผลิต แยกชนิดของผ้า เช่น ผ้าขาว, ผ้าสี, ผ้าใยสังเคราะห์, ผ้าเนื้อบาง, ผ้าขนสัตว์ เป็นต้น

## 11.2 อุณหภูมิ

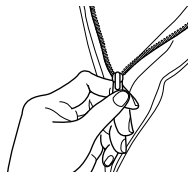
อุณหภูมิ	ประเภทของผ้าและระดับความสกปรก
90°C	ผ้าฝ้าย และผ้าลินินขาวที่สกปรกปานกลาง เช่น ผ้าชุดรองน้ำชา ผ้าขนหนู ผ้าปูโต๊ะ ผ้าปูที่นอน
60°C	ผ้าสีจำพวกผ้าลินิน ผ้าฝ้าย หรือผ้าใยสังเคราะห์ที่สกปรกปานกลาง เช่น เสื้อเชิ้ต ชุดราตรี ชุดนอน และผ้าฝ้ายขาวที่สกปรกเล็กน้อย เช่น ชุดชั้นใน
40°C	ผ้าเนื้อบาง เช่น ตาข่าย ผ้านละ
30°C	ประเภท รวมทั้งผ้าใยสังเคราะห์หรือน้ำเย็น
น้ำเย็น	ผ้าขนสัตว์ที่มีป้ายระบุ เป็นขนสัตว์ใหม่แท้ ซักเครื่องได้และไม่หด

## 11.3 ก่อนบรรจุผ้าในถังซัก

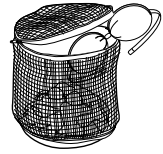
- ตรวจสอบให้แน่ใจว่าไม่มีโลหะใดๆ ติดค้างอยู่ในเสื้อผ้า เช่น กิ๊บติดผม, เข็มกลัดซ่อนปลาย, เข็มหมุด



- กลัดกระดุมปลอมหมอน, รูดซิป, ตัดตะขอ, รัดเข็มขัดหรือแถบผ้าที่มีความยาว



- การซักชุดชั้นใน, ถุงน่อง และผ้าเนื้อบาง ให้ใส่ในถุงซัก ซึ่งสามารถหาซื้อได้ตามร้านค้าและห้างสรรพสินค้าชั้นนำทั่วไป



- แยกผ้าที่ติดขุยง่ายออกจากผ้าที่มีขุย อย่าซักพร้อมกัน
- ห้ามซักผ้าขาวรวมกับผ้าสี เนื่องจากผ้าขาวอาจสูญเสีย "ความขาว" จากการซัก ผ้าสีตัวใหม่อาจสีตกในการซักครั้งแรกดังนั้นให้แยกซักต่างหาก
- ขจัดคราบสกปรกฝังแน่นก่อนการซัก
- ดูบริเวณที่สกปรกด้วยผงซักฟอกหรือใช้ผงขจัดคราบเฉพาะ สำหรับผ้ามันให้ระวังเป็นพิเศษโดยถอดตะขอออกหรือมัดใส่ในถุงหรือตาข่าย

## 11.4 ปริมาณผ้าที่บรรจุสูงสุด

ปริมาณบรรจุสูงสุดที่แนะนำถูกแสดงไว้ในตารางโปรแกรม (ดูที่หน้า 54)

หลักเกณฑ์ทั่วไปดังนี้

ชนิดผ้า	ปริมาณผ้า (ที่แนะนำ)
ผ้าฝ้าย, ผ้าลินิน	เต็มถึงแต่ไม่ควรแน่นจนเกินไป
ผ้าใยสังเคราะห์	ไม่เกินครึ่งถึง
ผ้าเนื้อบอบบาง, ผ้าขนสัตว์	ไม่เกินหนึ่งในสามของถึง

ด้วยปริมาณบรรจุสูงสุดจะทำให้ใช้น้ำและพลังงานได้อย่างเต็มประสิทธิภาพ สำหรับผ้าที่สกปรกมากให้ลดปริมาณผ้าลง

## 11.5 การขจัดคราบ

รอยเปื้อนฝังแน่นอาจไม่สามารถขจัดออกได้ด้วยน้ำ และผงซักฟอกเพียงอย่างเดียว ดังนั้นแนะนำให้กำจัดรอยเปื้อนก่อนการซัก

**เลือด:** รอยเปื้อนใหม่ๆ ให้ล้างด้วยน้ำเย็น สำหรับคราบเลือดที่แห้งแล้ว ให้แช่ในน้ำผสมผงซักฟอกชนิดพิเศษ ค้างคืนไว้แล้วขัดด้วยสบู่และน้ำ

**สีน้ำมัน:** การรอยเปื้อนด้วยน้ำยาขจัดคราบที่มีส่วนผสมของเบนซินวางผ้าลงบนผ้านุ่มๆ แล้วซับรอยเปื้อนเบาๆ หลายๆ ครั้ง

**รอยน้ำมันที่แห้งแล้ว:** การรอยเปื้อนด้วยน้ำมันบนวางผ้าลงบนพื้นผิวนุ่มแล้วซับรอยเปื้อนด้วยผ้าฝ้ายโดยใช้ปลายนิ้วมือ

**สนิมเหล็ก:** ใช้กรดออกซาลิกละลายในน้ำร้อนหรือใช้ผลิตภัณฑ์กำจัดคราบสนิมเหล็กที่ใช้กับน้ำเย็นระวังรอยสนิมที่ติดแน่นมานานเพราะโครงสร้างเซลลูโลสถูกทำลายไปแล้วและผ้าอาจเป็นรูได้

**คราบเข็มนา:** ใช้น้ำยาฟอกขาวแล้วล้างออกให้หมด (ใช้กับผ้าขาวและผ้าที่สีไม่ตกเท่านั้น)

**ปากกาอุกสีและกาว:** ทาด้วยอะซิโตน (\*) วางผ้าลงบนผ้านุ่มๆ แล้วซับรอยเปื้อน

**ลิปสติก:** ทาด้วยอะซิโตน (\*) แล้วถูรอยเปื้อนด้วยเหล้า แล้วขจัดรอยเปื้อนตกค้างบนผ้าขาวด้วยน้ำยาฟอกขาว

**ไวน์แดง:** แช่ในน้ำผสมผงซักฟอก ล้างด้วยน้ำเปล่าและทาด้วยกรดอะซิติก หรือกรดซิตริก แล้วล้างออกด้วยน้ำ ขจัดรอยเปื้อนที่ยังคงตกค้างด้วยน้ำยาฟอกขาว

**หมึก:** ขึ้นอยู่กับประเภทของหมึก ให้ขูดคราบผ้าด้วยอะซิโตน (\*) แล้วตามด้วยกรดอะซิติกขจัดคราบตกค้างบนผ้าขาว โดยใช้ น้ำยาฟอกขาวจากนั้นล้างน้ำออกให้ทั่ว

**คราบเปื้อนน้ำมันดิน:** ขึ้นแรกให้ทาทดด้วยน้ำยาขจัดคราบเหล้าหรือเบนซินแล้วถูด้วยน้ำผสมผงซักฟอก (\*) อย่าใช้อะซิโตนกับผ้าไหมเทียม

## 11.6 ชนิดของผงซักฟอกและปริมาณการใช้งาน

เครื่องซัก/อบผ้าเครื่องนี้สามารถใช้งานร่วมกับผงซักฟอกชนิดฟองน้อยเท่านั้น เพื่อป้องกันปัญหาฟองล้น อันเป็นสาเหตุที่ทำให้ผลการซักไม่เป็นที่น่าพอใจและอาจทำให้เครื่องเสียหายได้

ผงซักฟอกชนิดฟองน้อยถูกออกแบบมาเพื่อใช้สำหรับเครื่องซักผ้าฝาหน้าโดยเฉพาะ ซึ่งที่เวลาบรรจุก้นที่จะระบุข้อความไว้ว่า "สำหรับเครื่องฝาหน้า" หรือ "ผงซักฟอกประสิทธิภาพสูง" หรือ "ผงซักฟอกสูตรเข้มข้นสำหรับซักด้วยเครื่อง" เป็นต้น

**อย่าใช้ผงซักฟอกผิดประเภท เช่น ผงซักฟอกสำหรับเครื่องฟาบน หรือผงซักฟอกสำหรับซักด้วยมือ หรือผงซักฟอกประเภทที่ทำจากสบู่กับเครื่องฝาหน้าเครื่องนี้ เพราะจะทำให้เกิดฟองมากเกินไป อันเป็นสาเหตุทำให้ระยะเวลาการซักของเครื่องนานมากกว่าเดิม, การปั่นผ้าไม่มีประสิทธิภาพ, การล้างผ้าไม่มีประสิทธิภาพและมอเตอร์ทำงานหนัก**

ปริมาณผงซักฟอกที่ใช้

ผลการซักที่ดีขึ้นอยู่กับการเลือกผงซักฟอกและใช้ปริมาณที่เหมาะสม เพื่อหลีกเลี่ยงความสิ้นเปลืองและช่วยปกป้องสิ่งแวดล้อม

แม้ว่าผงซักฟอกจะย่อยสลายทางชีวภาพ แต่ถ้ามีปริมาณมากก็สามารถส่งผลกระทบต่อสิ่งแวดล้อมได้

**ชนิดและปริมาณของผงซักฟอกที่ใช้จะขึ้นอยู่กับ**

- ชนิดของผ้าเช่น ผ้าเนื้อบาง, ผ้าขนสัตว์, ผ้าฝ้าย
- สีของผ้า
- ปริมาณผ้าที่บรรจุ
- ระดับความสกปรก
- อุณหภูมิที่ใช้ในการซัก
- ความกระด้างของน้ำ

ความกระด้างของน้ำแบ่งเป็น "ระดับ" ของความกระด้าง ซึ่งข้อมูลความกระด้างของน้ำในพื้นที่สามารถสอบถามได้ จากหน่วยงานที่จ่ายน้ำให้หรือหน่วยงานราชการในพื้นที่

คุณอาจต้องใช้ปริมาณของผงซักฟอกตามที่ผู้ผลิตได้แนะนำไว้ที่บรรจุภัณฑ์ก่อน จากนั้นสังเกตผลการซักที่ได้เป็นที่น่าสนใจหรือไม่ หากผลการซักยังไม่เป็นที่น่าพอใจหรือพบปัญหาเรื่องฟองในระหว่างซักให้เปรียบเทียบผลการซักกับรายการด้านล่างนี้

แล้วทำการปรับเปลี่ยนชนิด หรือปริมาณของผงซักฟอกให้เหมาะสมในการซักครั้งต่อไป

**ผงซักฟอกไม่เพียงพออาจเป็นสาเหตุ**

- ผ้าเป็นสีเทา
- ผ้ามีคราบน้ำมัน, คราบโคล

**ผงซักฟอกมากเกินไปจะทำให้เกิด**






























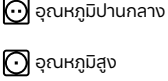

- ฟองล้น
- ประสิทธิภาพในการซักไม่ดี
- ล้างน้ำไม่พอ

**ลดปริมาณผงซักฟอกที่ใช้ลงถ้า**

- ซักผ้าจำนวนน้อยๆ
- ผ้าสกปรกน้อย
- เกิดฟองมากขณะซัก

**12. สัญลักษณ์สากลสำหรับงานซัก**

**i** สัญลักษณ์เหล่านี้มีแสดงไว้ที่ฉลากผ้า เพื่อช่วยในการพิจารณาวิธีการดูแลผ้าที่ดีที่สุด

 <b>ซักผ้าโดยทั่วไป</b>	 อุณหภูมิ ซักได้ สูงสุด 95 °C	 อุณหภูมิ ซักได้ สูงสุด 60 °C	 อุณหภูมิ ซักได้ สูงสุด 40 °C	 อุณหภูมิ ซักได้ สูงสุด 30 °C	 ซักด้วยมือ	 ห้ามซัก
 <b>ซักผ้าเนื้อมาง</b>		 60	 40	 40	 30	
 <b>สารฟอกขาว</b>	 สามารถใช้สารฟอกขาวที่มีส่วนผสมคลอรีน			 ห้ามใช้สารฟอกขาว		
 <b>การรีดผ้า</b>	 รีดร้อน สูงสุด 200 °C	 รีดอุ่น สูงสุด 150 °C	 รีดค่อนข้างอุ่น สูงสุด 110 °C	 ห้ามรีด		
 <b>การซักแห้ง</b>	 ซักแห้งได้กับสารละลาย ทุกชนิด	 ซักแห้งด้วยเพอร์คลอริก น้ำมันเบนซิน แอลกอฮอล์ บรีส R111 & R113	 ซักแห้งด้วยน้ำมันเบนซิน แอลกอฮอล์บรีส และ R113	 ห้ามซักแห้ง		
 <b>การทำให้แห้ง</b>	 ผึ่งราบ	 แขวนให้น้ำหยด จนแห้ง	 ตากด้วยการแขวน	 อุณหภูมิปานกลาง อุณหภูมิสูง อบด้วย เครื่องอบผ้า		 ห้ามอบด้วย เครื่องอบผ้า

## 13. การดูแลรักษาและทำความสะอาด

### ⚠ คำเตือน!

คุณต้องถอดปลั๊กไฟออกทุกครั้ง ก่อนทำความสะอาดหรือดูแลรักษา

### 13.1 การทำความสะอาดภายนอก

ทำความสะอาดเครื่องด้วยสบู่น้ำอุ่นเท่านั้น เช็ดพื้นผิวทั้งหมดให้แห้ง

### ⚠ ข้อควรระวัง!

ห้ามใช้แอลกอฮอล์ สารละลาย หรือสารเคมี ทำความสะอาดเครื่อง

### 13.2 การจัดการถักรัน

น้ำที่เราใช้ยูนิตนั้นปกติจะมีหินปูนผสมอยู่ ดังนั้นจึงควรใช้สารทำให้น้ำอ่อนในเครื่องเป็นครั้งคราว

โดยแยกทำต่างหากจากการซักผ้าและปฏิบัติตามคำแนะนำของผู้ผลิต สารทำให้น้ำอ่อนวิธีนี้จะช่วยป้องกันการเกิดคราบหินปูนตกค้างในเครื่อง

### 13.3 หลังการซักแต่ละรอบ

เปิดประตูเครื่องทิ้งไว้ชั่วคราว ทั้งนี้เพื่อช่วยป้องกันไม่ให้เกิดเชื้อราและกลิ่นอับเหม็น ภายในตัวเครื่อง การเปิดประตูทิ้งไว้หลังจากซักเสร็จจะช่วยถนอมรักษาถังขอบประตูด้วย

### 13.4 การซักเพื่อดูแลรักษาเครื่องและทำความสะอาดถัง

การซักผ้าที่ระดับอุณหภูมิที่ต่ำอาจทำให้เกิดสารตกค้างภายในถังซัก

ขอแนะนำให้ล้างถังเป็นประจำ

**การซักเพื่อบำรุงรักษาเครื่อง:**

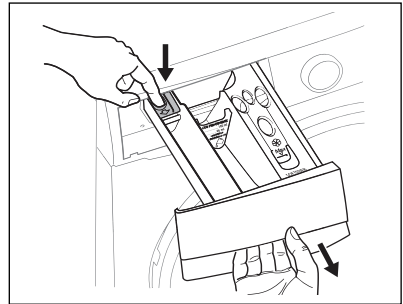
- ไม่บรรจุผ้าในถังซัก
- เลือกโปรแกรมผ้าฝ้ายที่อุณหภูมิสูงสุด
- กดปุ่ม "เริ่ม/หยุด" เพื่อเริ่มการทำงานของโปรแกรม

### 13.5 การทำความสะอาดลิ้นชักจ่ายสารซักฟอกและน้ำยาปรับผ้านุ่ม

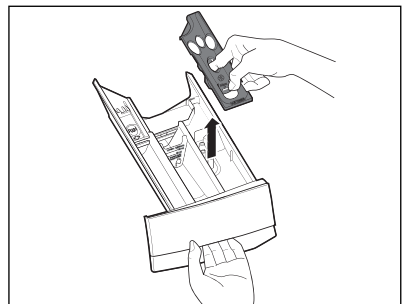
❗ รูปที่แสดงในคู่มือนี้เป็นเพียงตัวอย่างและตำแหน่งการใช้งานอาจไม่ตรงกับผลิตภัณฑ์ของคุณทุกประการ เนื่องจากหากชิ้นส่วนเหล่านี้ไม่ได้มีในรุ่นผลิตภัณฑ์ที่คุณซื้อ ชิ้นส่วนนั้นจะใช้ได้กับรุ่นอื่น

ควรล้างทำความสะอาดลิ้นชักจ่ายเติมสารซักฟอกและน้ำยาปรับผ้านุ่ม (สารใส่เพิ่มเติมต่างๆ) เป็นประจำ

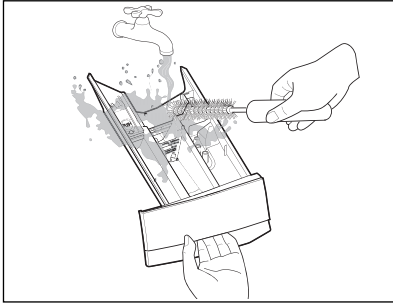
ถอดลิ้นชักจ่ายเติมสารซักฟอกออก โดยการกดตัวยึดลงแล้วดึงออก



เพื่อให้การทำความสะอาดได้ดียิ่งขึ้น ควรถอดส่วนบนของลิ้นชักจ่ายน้ำยาปรับผ้านุ่มออก



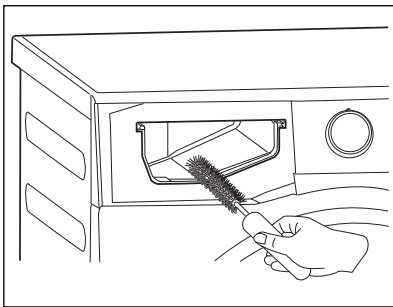
เปิดก๊อกน้ำล้างทำความสะอาดคราบตกค้างของสารซักฟอกออกให้หมด



### 13.6 การทำความสะอาดช่องเก็บลินชัก ง่ายสารซักฟอก

หลังจากนำลินชักจ่ายออกให้ใช้แปรงเล็กๆ ทำความสะอาดช่องด้านในโดยให้แน่ใจว่าผงซักฟอกทั้งหมดไม่เหลือเป็นคราบตกค้างที่ด้านบน และที่ด้านล่างของช่อง

ติดตั้งลินชักกลับเข้าที่จากนั้นเปิดใช้งานโปรแกรมล้างผ้าโดยไม่ต้องใส่ผ้าในถังซัก



### 13.7 การทำความสะอาดบิมระบายน้ำ

**i** ตรวจสอบบิมระบายน้ำเป็นประจำและดูแลให้สะอาดอยู่เสมอ

**ทำความสะอาดบิมเมื่อ:**

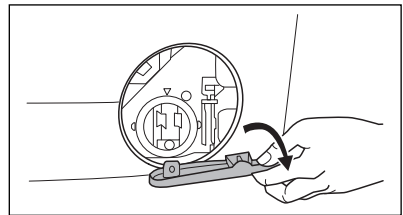
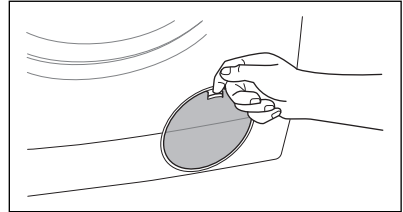
- เครื่องไม่ระบายน้ำออก
- ถังซักไม่หมุน
- เครื่องมีเสียงผิดปกติจากบิมระบายน้ำอุดตัน
- จอแสดงรหัสข้อผิดพลาดที่มาจากปัญหาของระบบระบายน้ำ

### **!** คำเตือน!

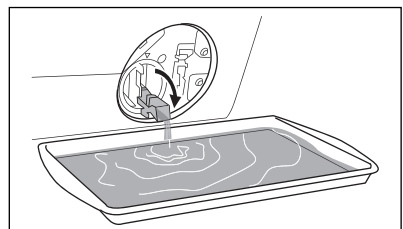
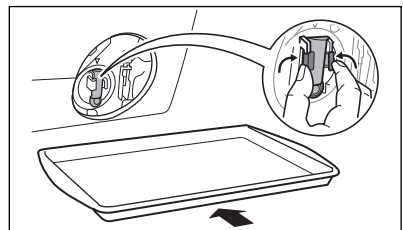
ถอดปลั๊กไฟออกจากเต้าจ่ายไฟ ห้ามถอดตัวกรองออกในขณะที่เครื่องกำลังทำงาน ห้ามทำความสะอาดบิมระบายน้ำหากน้ำในเครื่องร้อน น้ำจะต้องเย็นก่อนที่คุณจะเริ่มทำความสะอาดบิมระบายน้ำ

#### การทำความสะอาดบิมระบายน้ำ

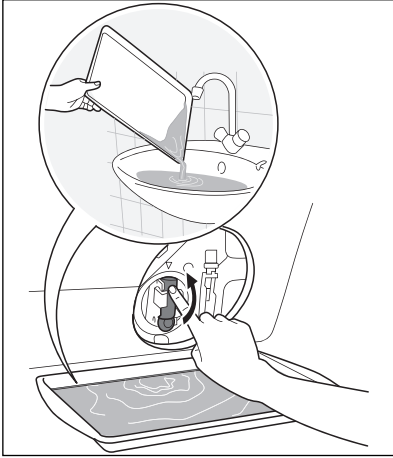
1. เปิดประตูตัวกรองบิมระบายน้ำ



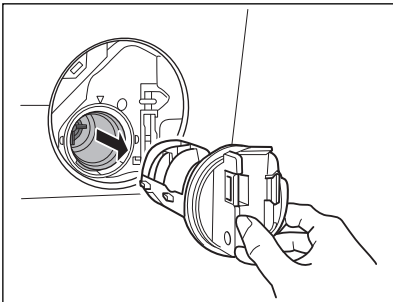
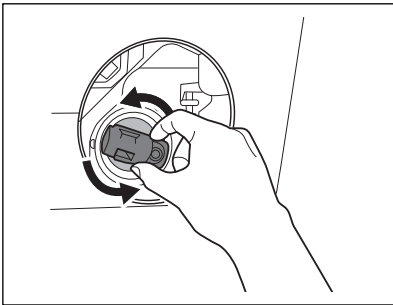
2. วางภาชนะใส่น้ำที่เหมาะสมไว้ใต้ช่องบิมระบายน้ำเพื่อรองน้ำที่จะไหลออกมา บิมครีบล้อกดด้านข้างเข้าหากัน แล้วดึงช่องระบายน้ำลงด้านหน้าปล่อยน้ำออก (ตามภาพ)



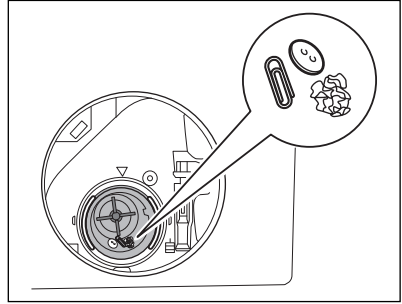
3. เมื่อภาชนะใส่น้ำเต็ม ให้ดันที่ระบายน้ำกลับเข้าที่และเทน้ำทิ้ง ทำซ้ำขั้นตอนที่ 2, 3 จนน้ำไหลออกจากบีมจนหมด



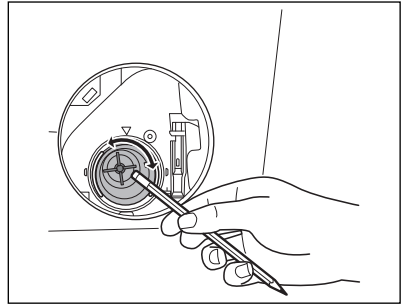
4. ดันช่องระบายน้ำกลับเข้าที่ แล้วหมุนทวนเข็มนาฬิกาเพื่อถอดตัวกรองออก



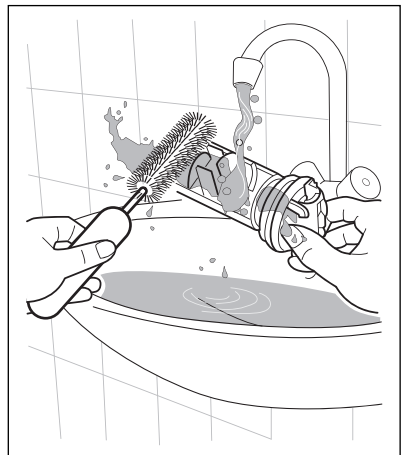
5. เอาเศษขุยผ้าและสิ่งแปลกปลอมออกจากบีม (ถ้ามี)



6. ตรวจสอบว่าใบพัดของบีมสามารถหมุนได้ หากไม่หมุน โปรดติดต่อศูนย์บริการ

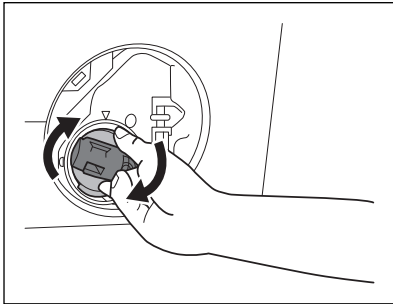
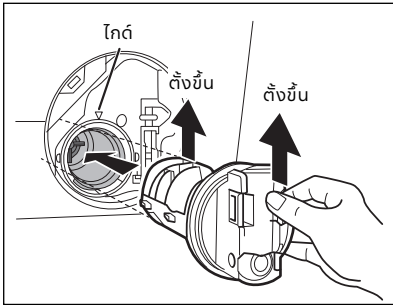


7. ทำความสะอาดตัวกรองใต้ก๊อกน้ำ





8. ใส่ตัวกรองกลับเข้าที่โดยจับตั้งขึ้นให้ตรงกับตำแหน่งโกด ตรวจสอบความถูกต้องและหมุนแน่นแล้ว เพื่อป้องกันน้ำรั่ว



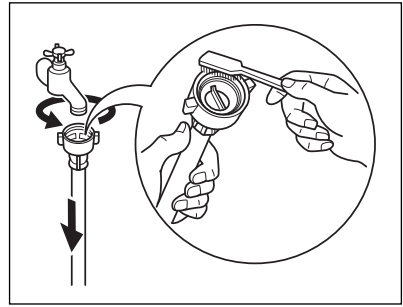
9. ปิดประตูตัวกรองปีมระบายน้ำ

### 13.8 การทำความสะอาดตัวกรองท่อน้ำเข้า

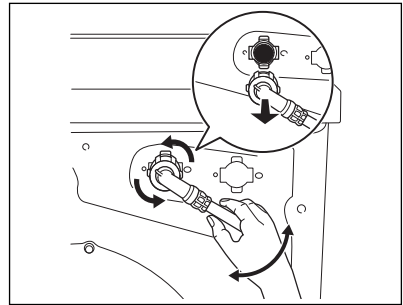
หากน้ำกระด้างมากหรือมีคราบหินปูน ตัวกรองที่ท่อน้ำเข้าอาจอุดตันได้ แนะนำให้ทำความสะอาดเป็นระยะๆ

#### การทำความสะอาดตัวกรองท่อน้ำเข้า:

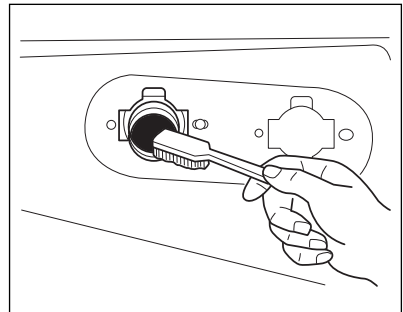
1. ปิดก๊อกน้ำ
2. ถอดท่อน้ำเข้าออกจากก๊อกน้ำ
3. ทำความสะอาดตัวกรองในท่อน้ำเข้าด้วยแปรงแข็ง



4. ถอดท่อน้ำเข้าด้านหลังเครื่องออก (แนะนำหมุนตามภาพ)



5. ทำความสะอาดตัวกรองที่วาล์วด้วยแปรงแข็งหรือผ้าขนหนู



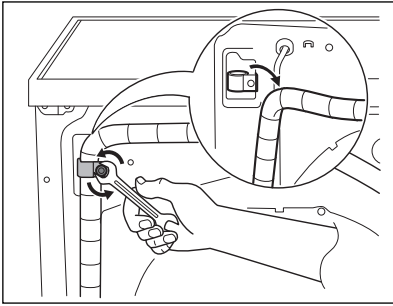
6. ติดตั้งท่อน้ำเข้ากลับเข้าที่ ตรวจสอบให้แน่ใจว่าข้อต่อแน่นเพื่อป้องกันน้ำรั่วไหล
7. เปิดก๊อกน้ำ

### 13.9 อันตรายจากการเยือกแข็ง

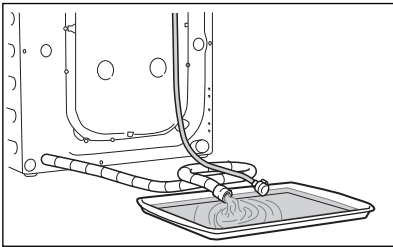
ถ้าเครื่องตั้งอยู่ในสภาวะที่อุณหภูมิต่ำกว่า 0 องศาเซลเซียส ให้ปฏิบัติตามขั้นตอนต่อไปนี้เพื่อระบายน้ำออกจากท่อน้ำเข้าและป้อนระบายน้ำ

#### การระบายน้ำในกรณีฉุกเฉิน

1. ถอดปลั๊กไฟออกจากเต้าจ่ายไฟฟ้าและปิดก๊อกน้ำ
2. ถอดสายน้ำเข้าออกจากก๊อกน้ำ
3. ปลดท่อระบายน้ำออกจากฐานรองด้านหลัง และปลดปลายท่อน้ำทิ้งออกจากซิงค์ หรือหัวก๊อก



4. วางปลายท่อน้ำทิ้งและท่อน้ำเข้าไว้บนภาชนะรองน้ำแล้วปล่อยให้ น้ำระบายออก



5. เมื่อไม่มีน้ำไหลออกมาแล้ว เก็บท่อระบายน้ำและท่อน้ำเข้าเข้าที่เดิม

**i** เมื่อต้องการจะใช้งานเครื่องอีกครั้ง ควรตรวจสอบให้แน่ใจว่าอุณหภูมิสูงกว่า 0 องศาเซลเซียส

## 14. การแก้ไขปัญหา

### 14.1 ปัญหาที่อาจเกิดขึ้น

ปัญหาบางอย่างเกิดจากผู้ใช้งานการดูแลและบำรุงรักษาเครื่องซึ่งแก้ไขได้ง่ายๆ โดยไม่ต้องโทรเรียกช่าง ก่อนติดต่อศูนย์บริการใกล้บ้านโปรดตรวจสอบปัญหาตามรายการดังตาราง

เมื่อขจัดปัญหาได้แล้วให้กดปุ่ม "เริ่ม/หยุด" เพื่อเริ่มโปรแกรมใหม่ หากตรวจสอบทุกอย่างแล้วยังไม่สามารถแก้ไขปัญหาได้ โปรดติดต่อศูนย์บริการใกล้บ้าน



#### คำเตือน!

ปิดเครื่องทุกครั้งก่อนทำการตรวจสอบ

#### รหัสข้อผิดพลาด

E 10	เครื่องไม่เติมน้ำ หรือเติมน้ำแล้วน้ำไม่เข้าถังซัก
E 20	เครื่องไม่ทำการระบายน้ำ
E 40	ประตูเครื่องเปิดอยู่หรือปิดไม่สนิท โปรดตรวจสอบประตูเครื่อง!
E 4D	แรงดันไฟฟ้าจากแหล่งจ่ายไฟฟ้าไม่เสถียร ให้รอจนกระทั่งแรงดันไฟฟ้ากลับมาปกติ
E 9 I	ไม่มีการเชื่อมต่อสัญญาณทางไฟฟ้า ระหว่างอุปกรณ์อิเล็กทรอนิกส์ภายใน เครื่อง ให้ปิดและเปิดเครื่องอีกครั้ง
E 8D	ไม่พบข้อมูลการลงทะเบียนในเครื่องหรือ เซิร์ฟเวอร์

ความผิดปกติที่เกิด	สาเหตุที่เป็นไปได้	แนวทางแก้ไข
เครื่องไม่ทำงาน	ยังไม่ได้เปิดประตูเครื่อง (รหัสข้อผิดพลาด E 40)	ปิดประตูให้สนิท
	ยังไม่ได้เสียบปลั๊กไฟ หรือเสียบปลั๊กไม่แน่น	เสียบปลั๊กไฟหรือเสียบปลั๊กให้แน่น
	ไม่มีกระแสไฟที่เต้าเสียบ	โปรดตรวจสอบการติดตั้งระบบไฟในบ้าน
	ยังไม่กดปุ่ม "เริ่ม/หยุด"	กดปุ่ม "เริ่ม/หยุด"
	โปรแกรมตั้งเวลาจบทำงานอยู่	หากต้องการดำเนินการชกทันที ให้ทำการยกเลิกโปรแกรมตั้งเวลาจบ
	แรงดันไฟฟ้าผิดปกติ (ถ้ารหัส E 4D ปรากฏขึ้นที่หน้าจอ)	กรุณารอจนกระทั่งแรงดันไฟฟ้าปกติ เครื่องจะเริ่มทำงานอัตโนมัติ
น้ำไม่เข้าเครื่อง	ก๊อกน้ำปิดอยู่ (รหัสข้อผิดพลาด E 10)	เปิดก๊อกน้ำ
	ท่อน้ำเข้าตันหรือหักงอ (รหัสข้อผิดพลาด E 10)	ตรวจสอบการต่อท่อน้ำเข้า
	ตัวกรองท่อน้ำเข้าอุดตัน (รหัสข้อผิดพลาด E 10)	ทำความสะอาดตัวกรองท่อน้ำเข้า
	ประตูเครื่องปิดไม่สนิท (รหัสข้อผิดพลาด E 40)	ปิดประตูให้สนิท
น้ำเข้าเครื่องและระบายออกทันที	ปลายท่อระบายน้ำอยู่ต่ำเกินไป (รหัสข้อผิดพลาด E 10)	ให้ดูข้อมูลอ้างอิงในหัวข้อการระบายน้ำ

ความผิดปกติที่เกิด	สาเหตุที่เป็นไปได้	แนวทางแก้ไข
<b>เครื่องไม่ระบายน้ำ ทิ้งและ/หรือไม่ป็น หมาด</b>	ท่อระบายน้ำตันหรือหักงอ (รหัสข้อผิดพลาด E 20)	ตรวจสอบการต่อท่อระบายน้ำ
	ปั๊มระบายน้ำอุดตัน (รหัสข้อผิดพลาด E 20)	ทำความสะอาดตัวกรองปั๊มระบายน้ำ
	ตัวเลือกเสริม "ไม่ระบายน้ำล้างผ้า" ถูก ใช้งาน	กดปุ่ม "เริ่ม/หยุด" เพื่อระบายน้ำ หรือ เลือกโปรแกรมป็นหมาด
	ผ้าไม่ได้กระจายตัวอยู่ในถังซักอย่างทั่ว ถึง	หยุดเครื่องชั่วคราว และกระจายผ้าด้วย ตนเอง
<b>มีน้ำเปียกที่พื้น</b>	ใส่ผงซักฟอกมากเกินไปหรือใช้ผงซักฟอก ไม่เหมาะสม (เกิดฟองมากเกินไปจนฟอง ล้น)	ลดปริมาณสารซักฟอก และใช้ผงซักฟอก ชนิดที่ถูกต้อง (ดูหน้า 68)
	ตรวจสอบว่ามีรอยรั่วที่จุดใดในการต่อ ท่อน้ำเข้าหรือไม่ ให้ทำการระบายน้ำออก จากถังซักให้หมด แล้วตรวจดูถังซักยัง เปียกหรือมีน้ำอยู่หรือไม่	ตรวจสอบการต่อท่อน้ำเข้า
	ท่อระบายน้ำชำรุด	เปลี่ยนท่อระบายน้ำใหม่ (โปรดติดต่อศูนย์ บริการ)
<b>ผลการซักไม่น่า พอใจ</b>	ใช้สารซักฟอกน้อยเกินไปหรือใช้สาร ซักฟอกที่ไม่เหมาะสม	เพิ่มปริมาณสารซักฟอก หรือใช้สาร ซักฟอกอื่น (ดูหน้า 68)
	มีคราบสกปรกฝังแน่นที่ไม่ได้ขจัดก่อนซัก	ใช้ผลิตภัณฑ์ที่มีจำหน่ายทั่วไปในการขจัด คราบติดแน่น
	เลือกอุณหภูมิสำหรับการซักไม่ถูกต้อง	ตรวจสอบว่าเลือกอุณหภูมิถูกต้องหรือไม่
	บรรจุผ้ามากเกินไป	ลดปริมาณผ้า
<b>ไม่สามารถเปิดประตู เครื่องได้</b>	โปรแกรมยังทำงานอยู่	รอนจนโปรแกรมทำงานเสร็จ
	มีน้ำค้างอยู่ในถังซัก	ต้องทำการระบายน้ำออก เพื่อให้ประตู คลายล็อก (รายละเอียดในหัวข้อการเปิด ประตูเครื่องซักผ้า หน้า 65)
	ปัญหานี้อาจเกิดจากข้อผิดพลาดของ เครื่องเอง	กรุณาติดต่อศูนย์บริการ หากต้องการ เปิดประตูเครื่อง ดูรายละเอียดหัวข้อการ เปิดประตูกรณีฉุกเฉิน หน้า 78
<b>เครื่องสั่นหรือ ส่งเสียงดัง</b>	ต้องนำสลักยึดป้องกันระหว่างการขนส่ง และบรรจุภัณฑ์ออกก่อนใช้เครื่อง	ตรวจสอบว่าติดตั้งเครื่องถูกต้องหรือไม่
	ยังไม่ได้ปรับระดับขาตั้ง	ตรวจสอบว่าตั้งเครื่องในแนวระนาบถูก ต้องหรือไม่

ความผิดปกติที่เกิด	สาเหตุที่เป็นไปได้	แนวทางแก้ไข
เครื่องสั้นหรือ ส่งเสียงดัง	ผ้าไม่ได้กระจายตัวอยู่ในถังซักอย่างทั่วถึง	หยุดเครื่องชั่วคราว รอประตูเครื่องคลาย ล็อคจากนั้นเปิดประตูเครื่องแล้วทำการกระจายผ้าออกให้ทั่วถึง
	อาจมีผ้าในถังซักน้อยเกินไป	บรรจุผ้าเพิ่ม
	พื้นไม่มั่นคง เช่น พื้นไม้	ดูในหัวข้อพื้นที่การติดตั้ง
เวลาการทำงานที่ ใช้จริงนานกว่าที่ แสดงไว้	ผงซักฟอก/น้ำยาซักผ้ามากเกินไป	ลดปริมาณสารซักฟอกหรือใช้สารซักฟอกอื่น (ดูหน้า 68)
	เครื่องไม่สมดุล	หยุดเครื่องชั่วคราวจากนั้นทำการกระจายผ้าออกให้ทั่วถึง และเริ่มการปั่นหมาดอีกครั้ง
ระยะเวลาการ ทำงานสั้นกว่าเวลา ที่แสดง	เครื่องได้ทำการคำนวณเวลาการทำงานใหม่อ้างอิงจากปริมาณผ้าที่บรรจุ	
การปั่นหมาดเริ่ม ทำงานช้าหรือ เครื่องไม่ปั่นหมาด	อุปกรณ์ตรวจสอบความสมดุลทางอิเล็กทรอนิกส์ทำงานคลาดเคลื่อน เนื่องจากผ้าไม่กระจายตัวอยู่ในถังซักอย่างทั่วถึง เครื่องจะทำการกระจายผ้าโดยการหมุนกลับไปกลับมา	หยุดเครื่องชั่วคราว จากนั้นทำการกระจายผ้าออกให้ทั่วถึง
	ขั้นตอนเช่นนี้อาจทำงานหลายครั้ง จนกว่าผ้าจะกระจายตัวอยู่ในถังซักอย่างทั่วถึงจากนั้นจึงจะเข้าสู่ขั้นตอนการปั่นตามปกติ	
	หลังจากที่อุปกรณ์ตรวจสอบได้ทำงานแล้วเป็นเวลา 10 นาทีผ่านไป หากผ้ายังกระจายตัวอยู่ในถังซักไม่ทั่วถึง เครื่องจะไม่ปั่นหมาด ในกรณีนี้ให้ทำการกระจายผ้าในถังซักด้วยตัวเองก่อนแล้วจึงเลือกโปรแกรมปั่นหมาด	
เครื่องส่งเสียงดัง ผิดปกติ	ติดตั้งเครื่องไม่ถูกต้อง	เครื่องต้องติดตั้งได้ระดับสมดุล รายละเอียดในหัวข้อการติดตั้ง
	สลักยึดสำหรับขนย้ายหรือบรรจุภัณฑ์ ไม่ได้แน่นพอ	จะต้องแกะบรรจุภัณฑ์และ/หรือสลักยึดสำหรับขนย้ายออกให้หมด ตามรายละเอียดในหัวข้อการแกะบรรจุภัณฑ์
	ปริมาณผ้าน้อยเกินไป	เพิ่มผ้าลงในถัง
ไม่เห็นน้ำในถังซัก	เครื่องนี้ผลิตขึ้นด้วยเทคโนโลยีสมัยใหม่ช่วยให้เครื่องทำงานได้อย่างประหยัดและใช้น้ำในปริมาณน้อยโดยไม่กระทบต่อประสิทธิภาพในการทำงาน	
ฟังก์ชัน "สั่งงาน ผ่านแอป" ไม่ ทำงาน	ข้อมูลการลงทะเบียนสูญหายหรือเสียหาย (รหัสข้อผิดพลาด E F0)	ปิดและเปิดเครื่องเพื่อเริ่มการทำงานของเครื่องใหม่อีกครั้ง หากปัญหายังไม่ได้รับการแก้ไข โปรดติดต่อศูนย์บริการ

**i** หากคุณไม่สามารถระบุหรือแก้ไขปัญหาได้โปรดติดต่อศูนย์บริการของเรา ก่อนโทรให้จดเบอร์รุ่น, หมายเลขรุ่น, และหมายเลขเครื่องที่อยู่ในป้ายแสดงระดับด้านหลังประตูเครื่อง และวันที่ที่คุณซื้อเครื่อง

## 14.2 การเปิดประตูกรณีฉุกเฉิน

หากเกิดปัญหาของกระแสไฟฟ้า เครื่องขัดข้อง หรือมีปัญหา ประตูเครื่องจะไม่สามารถเปิดได้ โปรแกรมซักผ้าจะทำงานต่อเมื่อกระแสไฟฟ้ากลับสู่ภาวะปกติ แต่ถ้าประตูเครื่องยังไม่สามารถเปิดได้ ท่านสามารถเปิดประตูกรณีฉุกเฉินได้ดังต่อไปนี้

**ก่อนเปิดประตู**

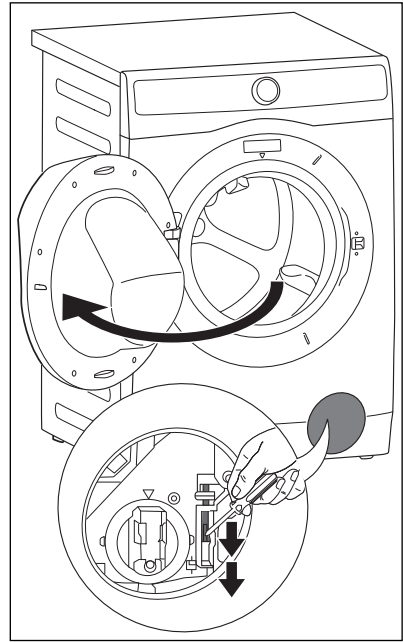
### ⚠ คำเตือน!

ต้องแน่ใจว่าอุณหภูมิ น้ำ และผ้าที่ซักไม่ร้อน หากจำเป็นกรุณารอนจนกระทั่งอุณหภูมิเย็นลง ต้องแน่ใจว่าระดับน้ำภายในถังซักไม่สูงเกินไป หากจำเป็นกรุณาทำการระบายน้ำออกจากถัง (ดูหน้า 74)

ต้องแน่ใจว่าถังซักไม่หมุนจนกระทั่งถังซักหยุดหมุนหากจำเป็น



### การเปิดประตูทำได้ดังนี้

1. กดปุ่ม "เปิด/ปิด" เพื่อปิดเครื่อง
2. ถอดปลั๊กเครื่อง
3. เปิดประตูตัวกรองบีบระบายน้ำ
4. ใช้อุปกรณ์ที่เหมาะสมเกี่ยวกับสายตัวปลดล็อกกรณีฉุกเฉิน (สีแดง) กระทบกลง 2 ครั้งและให้ดับค้างไว้ (คุณจะได้ยินเสียง "คลิก") ขณะเดียวกันก็ให้เปิดประตูเครื่องพร้อมๆ กัน หากเปิดประตูเครื่องไม่ได้ในขณะที่ดันสายตัวปลดล็อกกรณีฉุกเฉินไว้ ให้ลองปล่อยสายแล้วลองเปิดประตูอีกครั้ง
5. นำผ้าออก
6. ปิดประตูตัวกรองบีบระบายน้ำ



## 15. ข้อมูลเพื่อการรักษาสิ่งแวดล้อม

### 15.1 วัสดุบรรจุภัณฑ์

 วัสดุที่มีเครื่องหมาย  สามารถนำกลับมาใช้ได้อีก

>PE< = โพลีเอทิลีน


>PS< = โพลีสไตรีน

>PP< = โพลีโพรพิลีน

สัญลักษณ์นี้หมายความว่า วัสดุนี้สามารถนำมารีไซเคิลได้โดยต้องทิ้งในภาชนะที่เหมาะสม

### 15.2 เครื่องเก่า

โปรดทิ้งเครื่องซัก/อบผ้าเครื่องเก่าของท่านในสถานที่ที่ได้รับอนุญาต เพื่อช่วยรักษาความเป็นระเบียบเรียบร้อยในบ้านเมือง!

สัญลักษณ์  ที่ตัวผลิตภัณฑ์หรือบรรจุภัณฑ์ใช้เพื่อแจ้งว่าห้ามทิ้งแบบขยะในครัวเรือนตามปกติ โดยให้นำไปทิ้ง ณ จุดจัดเก็บที่เหมาะสมเพื่อทำการรีไซเคิลส่วนประกอบทางไฟฟ้าและอุปกรณ์อิเล็กทรอนิกส์

การทิ้งผลิตภัณฑ์นี้อย่างถูกต้องจะช่วยลดผลกระทบที่มีต่อสภาพแวดล้อมและสุขอนามัย

หากท่านทิ้งผลิตภัณฑ์นี้อย่างไม่ถูกต้อง เหมาะสม จะก่อให้เกิดผลเสียต่อสภาพแวดล้อมและสุขอนามัย

สอบถามข้อมูลเพิ่มเติมเกี่ยวกับการรีไซเคิลผลิตภัณฑ์ได้จากหน่วยงานในพื้นที่ ผู้ให้บริการจัดเก็บขยะประจำพื้นที่ของคุณ หรือร้านที่จำหน่ายผลิตภัณฑ์นี้

### 15.3 คำแนะนำด้านระบบนิเวศน์

เพื่อประหยัดน้ำ พลังงาน และช่วยปกป้องสิ่งแวดล้อม ขอแนะนำให้ท่านปฏิบัติตามคำแนะนำต่อไปนี้

- ผ้าที่สกปรกธรรมดาอาจซักโดยไม่จำเป็นต้องแช่ผ้าก่อนซัก ทั้งนี้เพื่อประหยัดสารซักฟอก น้ำ และเวลา (รวมถึงรักษาสิ่งแวดล้อมด้วย!)
- เครื่องซัก/อบผ้าจะทำงานได้อย่างประหยัดมากขึ้นหากบรรจุผ้าในอัตราสูงสุด
- หากมีการใช้น้ำยาซักผ้าอย่างเหมาะสม จะสามารถขจัดคราบ และเชื้อโคลนก่อนซักผ้าได้ทีละกรัม
- ตวงสารซักฟอกให้เหมาะสมกับความกระด้างของน้ำ ระดับความสกปรกของผ้า และปริมาณผ้าที่จะซัก

**electrolux.com**

G0044252-001-A28643518