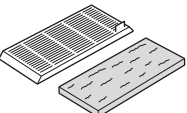
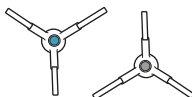


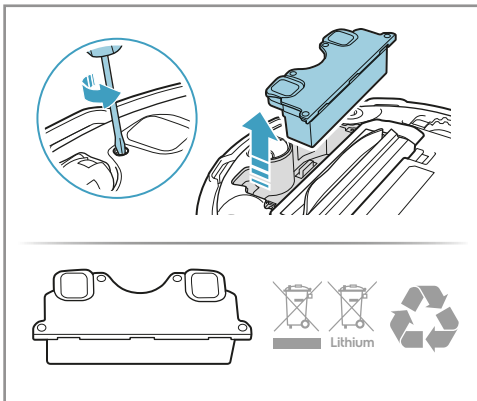


electrolux.com/shop

<p>2x</p>  <p>Filter Kit 2 (Wet) Ref : EFR3W PNC : 900923495</p>	<p>2x</p>  <p>Side Brushes Ref : ERSB4 PNC : 900923496</p>	<p>1x</p>  <p>Main Brush Ref : ERMB2 PNC : 900923497</p>	<p>2x</p>  <p>Mopping Pads Ref : EMR1 PNC : 900923499</p>
---	---	---	--

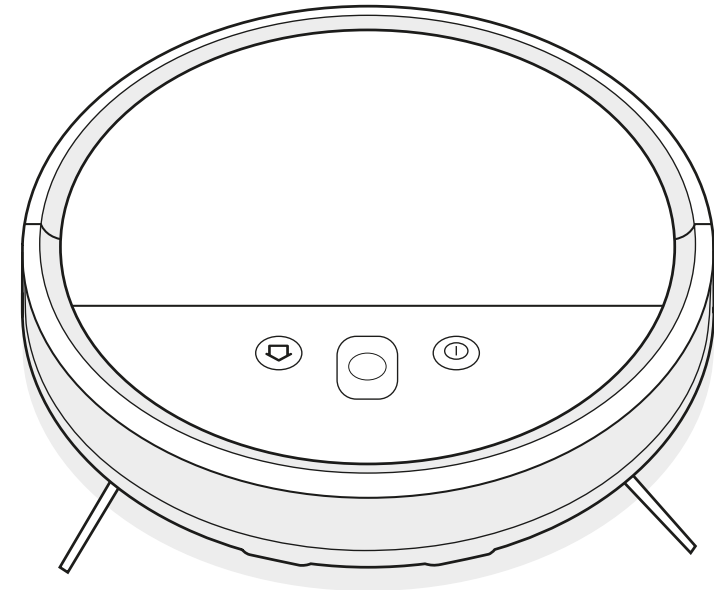


The software in the robot is partly based on free and open source software. To access the source code of these components and to see the full copyright information and applicable license terms, please visit:
www.electrolux.com/rvc-supplementary

For control according to international standards, please visit:
www.electrolux.com/rvc-supplementary

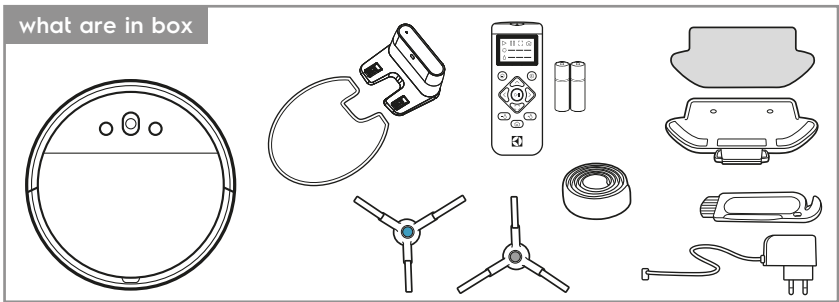


EFR31223



USE ONLY :		
KOREA:	DS-ER71	DBS012A-2000600K
SINGAPORE:	DS-ER71	DBS012A-2000600G
TAIWAN:	DS-ER71	DBS012A-2000600T
AUSTRALIA & NEW ZEALAND:	DS-ER71	DBS012A-2000600A
THAILAND & VIETNAM:	DS-ER71	DBS012A-2000600K

what are in box



GET IT ON
Google Play

Download on the
App Store

2.4 GHz
Bluetooth

