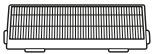


 [electrolux.com/shop](https://electrolux.com/shop)

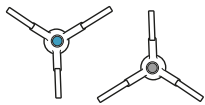
2x



**Filter Kit 1 (Dry)**

Ref : EFR3  
PNC : 900923494

2x



**Side Brushes**

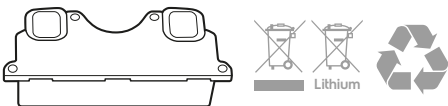
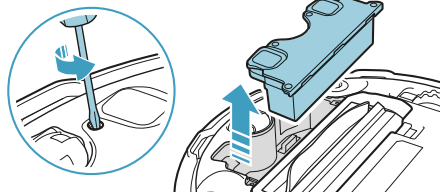
Ref : ERSB4  
PNC : 900923496

1x



**Main Brush**

Ref : ERMB2  
PNC : 900923497



The software in the robot is partly based on free and open source software. To access the source code of these components and to see the full copyright information and applicable license terms, please visit:

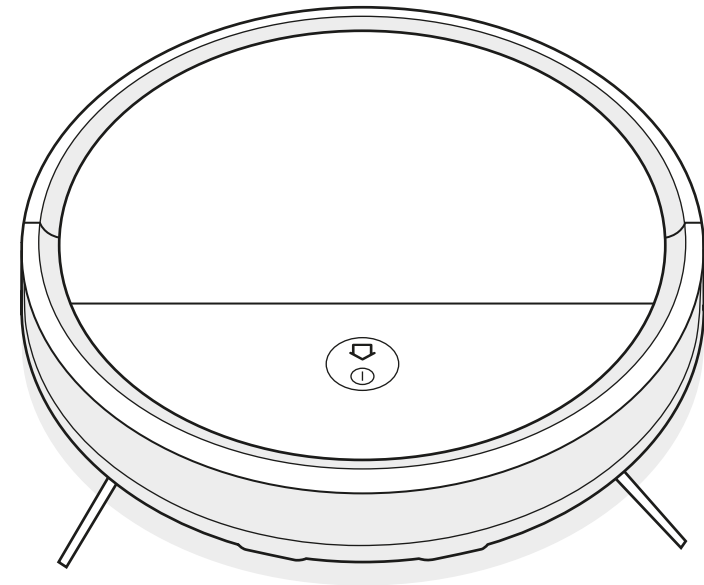
[www.electrolux.com/rvc-supplementary](https://www.electrolux.com/rvc-supplementary)

For control according to international standards, please visit:

[www.electrolux.com/rvc-supplementary](https://www.electrolux.com/rvc-supplementary)



EFR31211

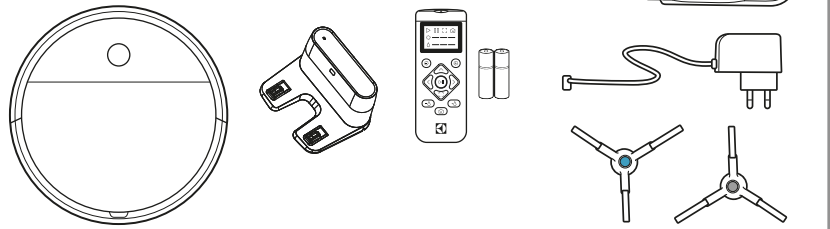


**USE ONLY :**



KOREA:	DS-ER71	DBS012A-2000600K
SINGAPORE:	DS-ER71	DBS012A-2000600G
TAIWAN:	DS-ER71	DBS012A-2000600T
AUSTRALIA & NEW ZEALAND:	DS-ER71	DBS012A-2000600A
THAILAND & VIETNAM:	DS-ER71	DBS012A-2000600K
SOUTH AFRICA:	DS-ER71	DBS012A-2000600G

what are in box



GET IT ON  
Google Play

Download on the  
App Store

2.4 GHz  
Bluetooth

