

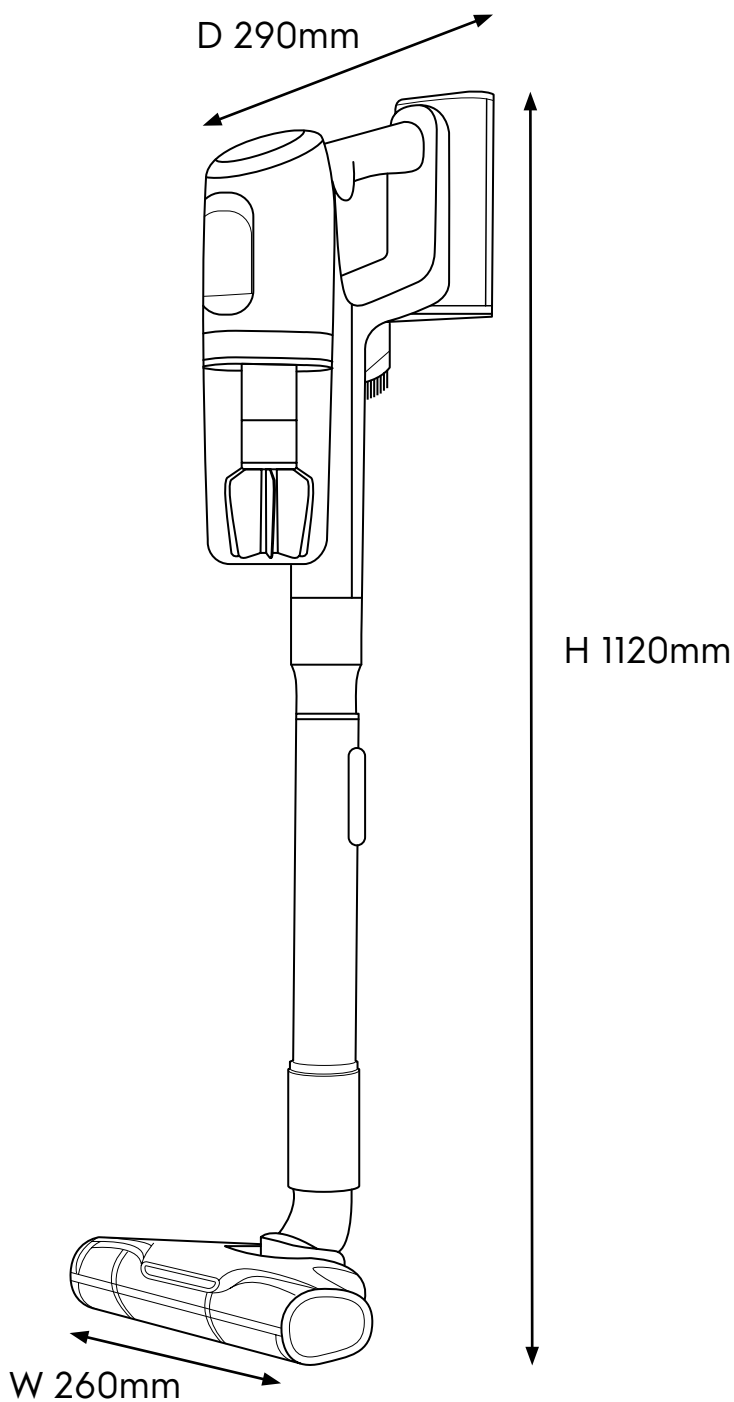
Dimension Guide

Handstick vacuum cleaner

Model:
EFP92826

Dimensions

	width	height	depth
Product (mm)	260	1120	290



Please note! Dimensions to be used as a guide only. All customers MUST refer to the user manual supplied with the product for detailed installation instructions.

© 2022 Electrolux S.E.A PTE. LTD. E_DIM_EFP92826_Dec22