

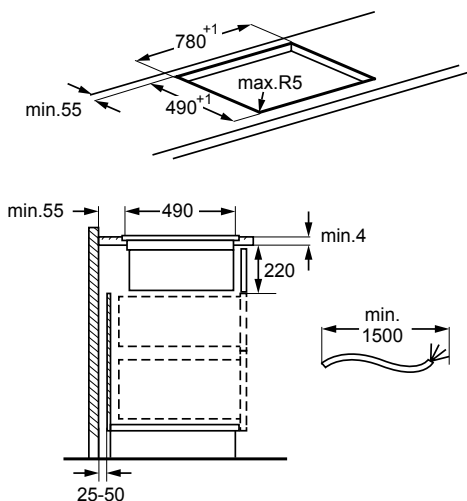
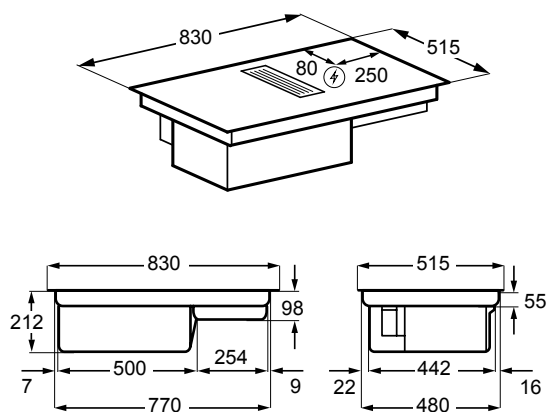
# Dimension Guide

## Built-in venting induction hob

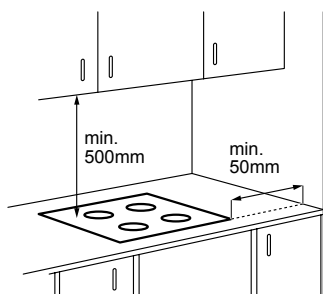
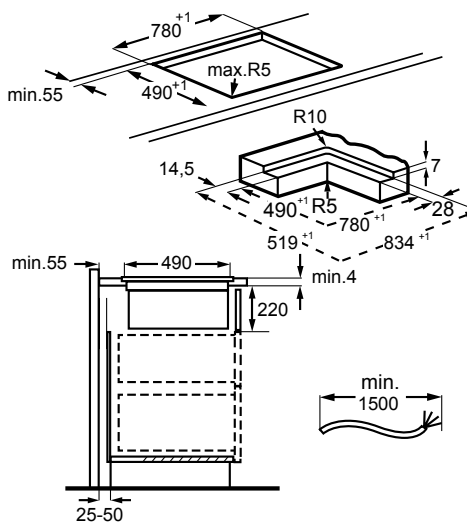
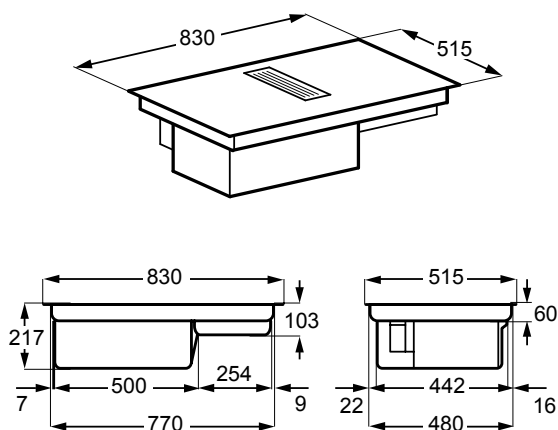
**Model:**  
KCC84450CK

Dimensions			
	width	height	depth
Cut-out (mm)	780		490
Product (mm)	830	217	515

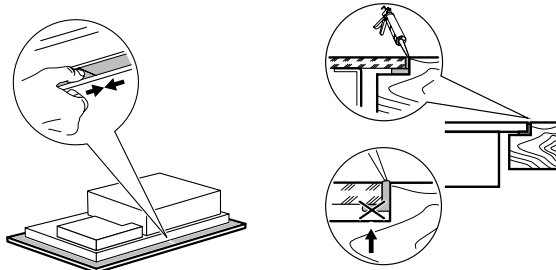
### ON-TOP INSTALLATION



### INTEGRATED INSTALLATION



If the appliance is installed above a drawer, the hob ventilation can warm up the items stored in the drawer during the cooking process.



**Please note!** Dimensions to be used as a guide only. All customers MUST refer to the user manual supplied with the product for detailed installation instructions.  
© 2022 Electrolux S.E.A PTE. LTD. E\_DIM\_KCC84450CK\_Nov22