



EHG8238BC
EHG8248BT

EN Gas Cooktop
TH เตาประกอบอาหาร

User Manual
คู่มือการใช้งาน



Electrolux

Safety instructions 3

Parts identification 4

Installation instructions 5

Installation procedure 5

Gas connection 6

Operation 7

Ignition burners 7

Using the hob correctly 7

Maintenance and care 8

Glass top 8

Burner-caps & bases 8

What to do if 8

Technical specifications 9

Warranty conditions 9

Thank you for choosing and using Electrolux home appliances.

Electrolux Group of Sweden is one of the world largest home appliances companies. With more than 65 million Electrolux products being used by millions of households worldwide each year, it is also the world largest manufacturer of kitchen electrical appliances. The group has sold more than 55 million kitchen products, which is equivalent to the combined heights of 5 Mount Everest. Besides that, more than 2/3 of the world star hotels use Electrolux professional kitchen equipment.

Clearly, the excellent achievement of Electrolux over the last 80 years has been widely recognized by 450 million families all over the world. Now, we are pleased to make some of the best products from this renowned brand available to consumers in Southeast Asia. To us, not only is Electrolux one of the most reliable brands in dealing with home appliances, it is also a brand that promises to bring innovative lifestyles to all families through its cutting edge technologies and excellent designs. For not only do they add a touch of elegance to your kitchen, but Electrolux products also makes cooking easier, more enjoyable and something to share with. Enjoy happy cooking now with Electrolux kitchen appliances!

Once again, we would like to extend our heartiest thanks to you for your trust in choosing Electrolux products!

Before installing or using this appliance, please read this instruction book carefully and pay particular attention to the safety warnings in the following page.

Should you have further enquiries regarding this appliance, kindly contact our Customer Care for advice. Please keep this instruction book for future reference and pass it on to any future owners of this appliance.

3 safety instructions

Safety instructions

- Do not use gas other than that which is specified on the label attached.
- Do not place anything, e.g. flame tamer, asbestos mat, between pan and pan support as serious damage to the appliance may result.(Fig 1)
- Do not remove the pan support and enclose the burner with a wok stand not supplied by Electrolux as this will concentrate the flame and deflect the heat onto the top plate.(Fig 2)
- Do not use large pots or heavy weights which can bend the pan support or deflect the flame onto the top plate. (Fig 3)
- Locate pan centrally over burner so that it is stable and does not overheat the appliance. (Fig 4)
- Use only wok support supplied or recommended by the manufacturer of the appliance. (Fig 5)
- Wok support to be used for wok and other trivets for flat bottom pot.
- The unit is to be used for cooking only. Do not dry towels, clothes, etc., over it. If this is done, there is danger of fire.
- If a gas leak is found, close stopcock, open up all windows and call your dealer. Do refrain from turning an electric switch on or off, lighting a match, smoking or using a lighter.
- Use the appliance in a well-ventilated room.
- Do not use vinyl gas hose. It is liable to be softened by heat. Use only a rubber hose.
- Be sure to turn off the ignition knob and regulator of the cylinder after use.
- Avoid touching the burner, pan stand etc., immediately after use. Otherwise you will get burnt.
- Ensure that the rubber hose does not touch any part of the unit or lies underneath it.
- Connect the rubber hose to the gas inlet and fasten it with a hose clamp.
- The pan stand leg nearest to the flame will have discoloration after use. Such phenomenon is normal.
- Although there are Timer and T-sensor function, but still need take care of and don't leave during cooking.



WARNING:

- **In the event of the burner flames being accidentally extinguished, turn off the burner control knob and do not attempt to re-ignite the burner for at least 1 minute.**
- **For burner fitted with a flame supervision device, if after 15 seconds of ignition operation the burner has not lit, stop operating the device and open the compartment door and wait at least 1 minute before attempting a further ignition of the burner.**
- **If nozzle holes are blocked, use a thin wire or pin to pierce and clean the nozzle holes.**

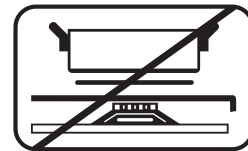


Fig.1

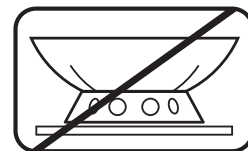


Fig.2

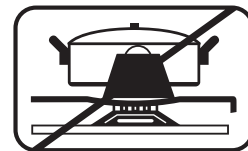


Fig.3

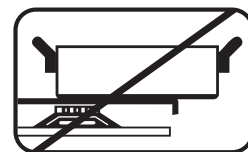


Fig.4

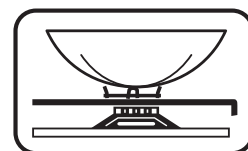
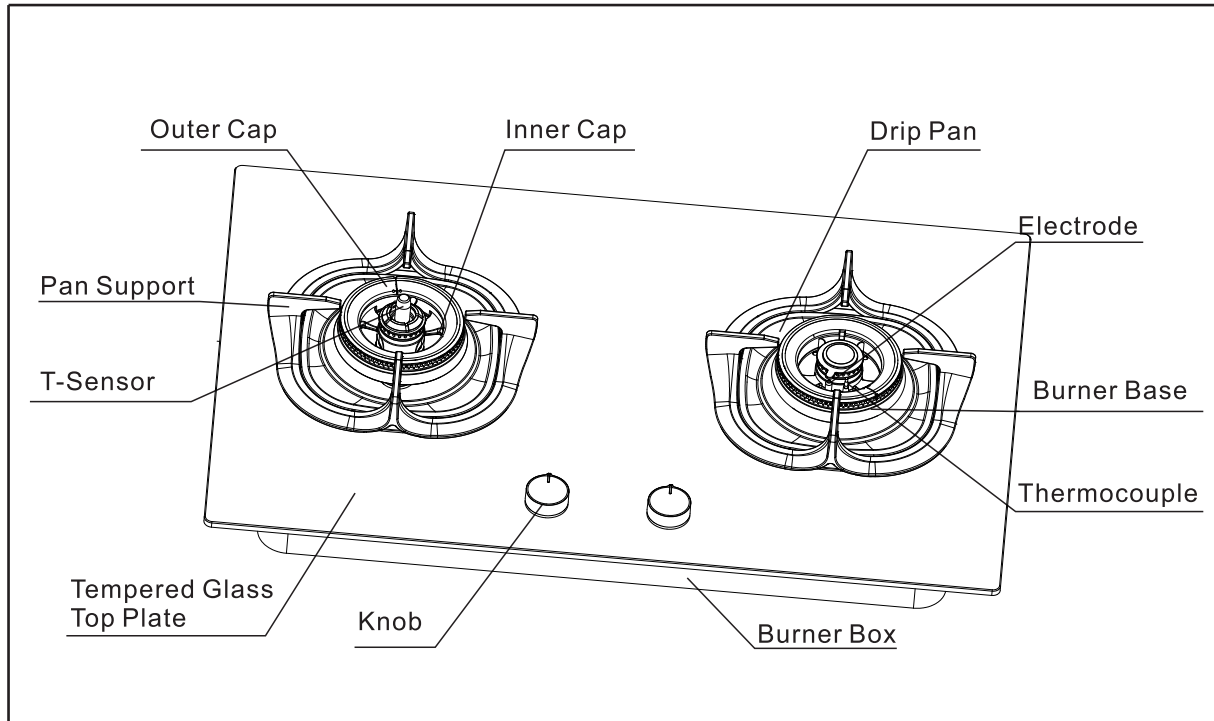
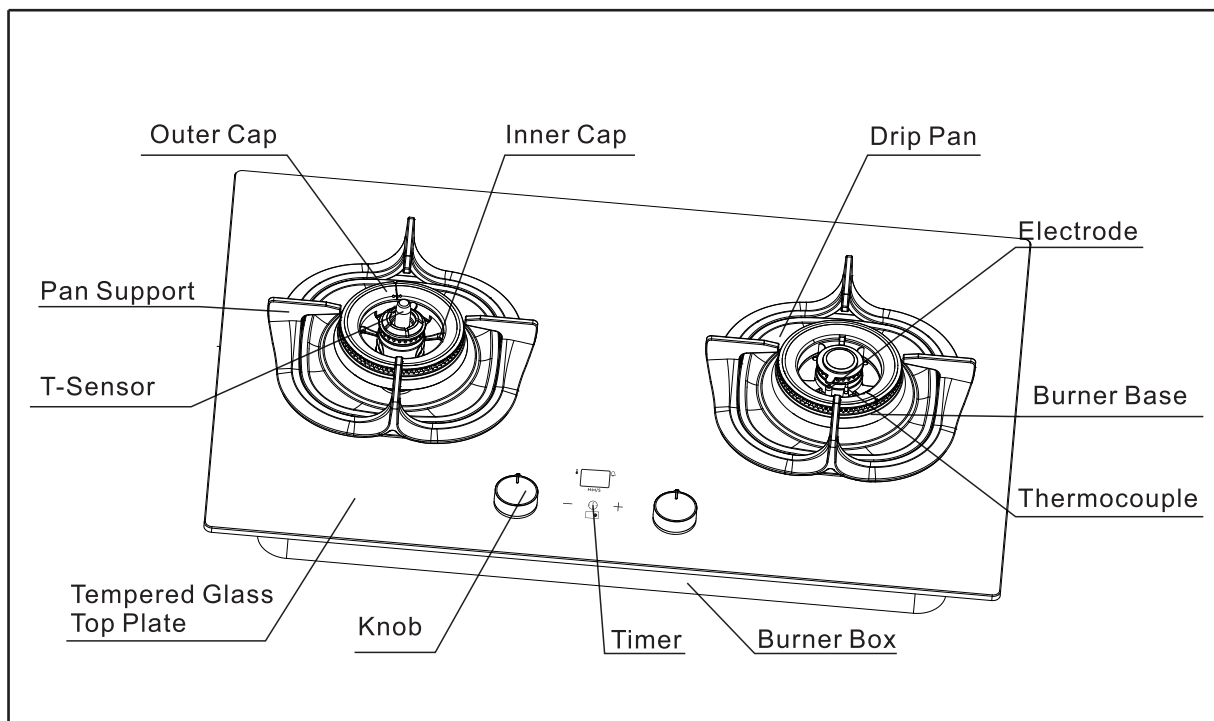


Fig.5

EHG8238BC



EHG8248BT



The Class of the appliance: Class 3

- These instructions are only valid if the country symbol appears on the appliance.
- If the symbol does not appear on the appliance, it is necessary to refer to the technical instructions which will provide the necessary instructions concerning modification of the appliance to the conditions of use of the country.
- Prior to installation, ensure that the local distribution conditions (nature of the gas and gas pressure) and the adjustment of the appliance are compatible.
- The adjustment conditions for this appliance are stated on the label (or data plate).
- This appliance is not connected to a combustion products evacuation device. It shall be installed and connected in accordance with current installation regulations.
- Particular attention shall be given to the relevant requirements regarding ventilation.
- Avoid using of cooking vessels on the hotplate that overlap its edges.
- The use of inappropriate hob guards can cause accidents.
- Hob guards cannot be used.
- The use of a gas cooking appliance results in the production of heat, moisture and products of combustion in the room in which it is installed.
- Ensure that the kitchen is well ventilated, especially when the appliance is in use: keep natural ventilation holes open or install a mechanical ventilation device (mechanical extractor hood).
- Prolonged intensive use of the appliance may call for additional ventilation, for example opening of a window, or more effective ventilation, for example increasing the level of mechanical ventilation where present.

CAUTION:

In case of hotplate glass breakage:

- Shut immediately off all burners and any electrical heating element and isolate the appliance from the power supply.
- Do not touch the appliance surface.
- Do not use the appliance.

6 Installation instructions

Installation procedure

- Have the installer show you the location of the gas shut off valve and how to shut it off in emergency.
- Be certain all packing materials are removed from the hob before operating to prevent fire or smoke damage that could be caused by the presence of these materials.
- Observe all instructions for minimum clearance to any combustible surfaces. These should be in accordance with information on the rating plate and with national fire laws.
- If the hob is installed near windows, proper precautions should be taken to prevent curtains from blowing over burners creating FIRE HAZARD.
- When choosing a location for this hob consider, availability and position of gas and electric supply paths.
- Any openings around gas and electric service outlets shall be closed at the time of installation.
- Do not install another hob next to this unit.
- The underside of the hob must be checked to ensure that there are no projections which might foul the hob. Make sure that the countertop is solidly supported and can withstand the weight of the hob.
- Check that the cabinet is leveled from side to side and from front to back in its installed position.
- Cabinet ventilation can be improved by the provision of air holes to the cabinet. Care should be taken to ensure that ventilation holes are not obstructed.
- When fitting a vent hood above the hob, refer to the manufacturer's own installations relating to that product. However as a general rule, a minimum clear vertical distance of 750mm (30") should be maintained between the cook-top and the underside of any cupboard, wall unit or vent. (Fig 6)
- Any cabinet installed above the cook-top must not be greater than 325mm (13") deep. (Fig 6)
- The edge of the hob must have a minimum distance from the rear wall of 55mm. (Fig 6)

BATTERY COMPARTMENT

1. When the battery is depleted, or the spark becomes weak, it should be replaced with a new one.
2. The battery compartment is located as shown in the diagram. Please place the battery in correct polarity as shown.

Warning: Please take out the battery if it will not be used for a long time.

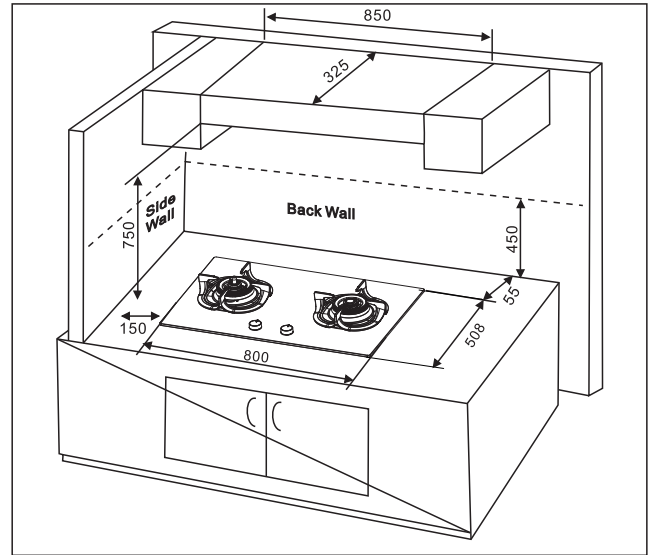
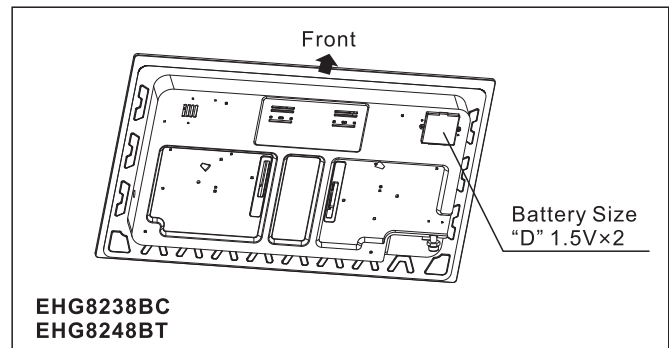


Fig.6 (in mm)

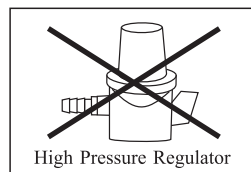
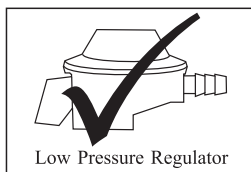
If clearance between side / back walls and periphery of the burner is less than 200mm, the walls must be protected with a non-combustible material. The protection must extend a minimum distance of 450mm above the burner. Horizontal surfaces less than 750mm vertically above the cooktop must also be protected



Gas connection

- Before installing the appliance, check that the location provides the required clearances from combustible materials and check if necessary to provide protection to adjacent surfaces as required by the regulation. Make provision for the gas supply to be connected to the location.
- Cut the opening in the bench top by the cardboard-template given in the hob packing or to the dimensions shown in Fig 7.
- Remove the hob from the carton.
- Install the hob in the cut-out. (Fig 7)
- Connect gas supply to inlet of hob. Turn the gas on and check for leaks using soap solution and brush around all the joints and connection.
- Test the appliance; depress the control knob and turn to full flame setting to activate the electric igniter. The burner will ignite. Adjust control knob to the desired setting. On initial usage you may have to repeat this ignition function several times (to allow air to be purged from the gas supply system). No adjustment should be necessary. If any problem occur, refer to the servicing instructions or the fault finding chart.
- Ensure the manual is left with the user. If any of the above procedures do not produce satisfactory results, the agent service department should be consulted for more specialized assistance.

USE ONLY LOW PRESSURE REGULATOR AND UNADJUSTABLE PRESSURE MAX 30mbar FOR THIS APPLIANCE



Gas connection

Cylinder or network connection must be carried out according to the relevant local standards. This hob must be connected with low pressure regulator only.

Flexible connection

The supply hose must be visible for its entire length (max. one meter) and must be secured with a hose clamp X (Fig 8). The sealing washer must be fitted.



IMPORTANT SAFETY INSTRUCTION:
Upon completion of gas installation connections, it is compulsory to check for gas leakage at the joint. (Soap test)

EHG8238BC
EHG8248BT

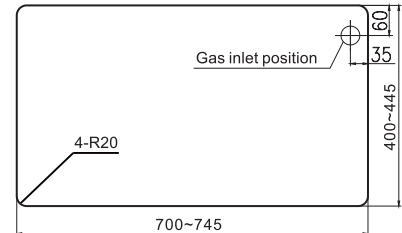


Fig.7 (in mm)

Bench cut-out size viewed from front of bench, i.e. control panel at front.

This appliance must be installed and serviced only by qualified and duly authorised personnel.



Soap test procedure

- Turn the burner controls off and turn on the gas supply.
- Apply soapy solution to each joint. (Fig 8)
- Formation of bubbles indicates leakage and must be tightened.
- Repeat soap test.

WARNING:

Check the data plate to ensure that the appliance is suitable for the available gas supply.

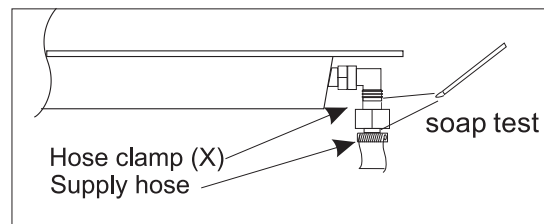
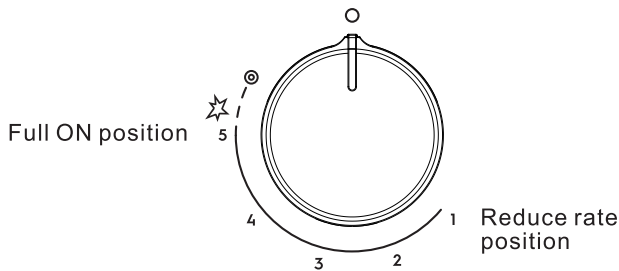


Fig.8

7 operation

Ignition burners

1. **C**heck to make sure that the gas supply is accessible and set up with the necessary and appropriate fittings / connectors.
2. Turn all control knobs to off position.
3. This device is fitted with a safety tap to control the gas flow. When the dot on the knob lines up with the following symbols on the panel, these conditions prevail:



To close, rotate the knob to the right until you feel the tap's distinct click.

4. To ignite, hold the knob and depress for several seconds, rotate it to maximum gas flow position. For models with thermocouple, keep the knob depressed about 5~8 seconds, otherwise the flame will extinguish.
5. If the burner does not light the first time, repeat Step 4.
6. If the flame extinguishes suddenly, repeat Step 4.
7. When using the unit again immediately after having once turned it off, wait for about ten seconds before re-igniting.
8. Each burner has its own independent ignitor.
9. When the burner is lit, turn the knob to adjust the flame size according to your needs. This needs no depression of the knob.

For burner fitted with a flame supervision device, if after 15 seconds of ignition operation the burner has not lit, stop operating the device and wait at least 1 minute before attempting a further ignition of the burner.

Using the hob correctly

- To ensure maximum burner efficiency, it is strongly recommended that you use only pots and pans with a bottom fitting the size of the burner used, so that the flame will not spread beyond the bottom of the vessel (Table 1).
- It is also advisable, as soon as the liquid starts boiling, to turn down the flame so that it will barely keep the liquid simmering.

Burner	Minimum Diameter	Maximum Diameter
Wok burner	160mm	280mm
Semi-rapid	120mm	220mm

Choice of burner

- A semi-rapid burner is for special low heat, simmering and slow cooking.
- A wok burner is for very fast heating using a wok or large pan.



NOTE:

- Remember that a wide-bottomed pan allows a faster cooking than a narrow one.
- Always use pots which properly fit what you have to cook.
- Particularly make sure that the pans are not too small for liquids, since these could easily overflow.
- The pans should not be too large for a faster cooking.

You should use pans with the right diameter to fit the burner, in order to make the most out of it, thus reducing gas consumption as in Fig.9.

It is also advisable to cover any boiling casserole and as soon as the liquid starts to boil, lower the flame enough to keep the boiling point.

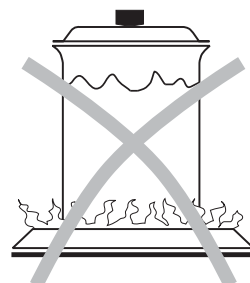
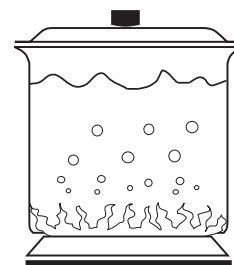
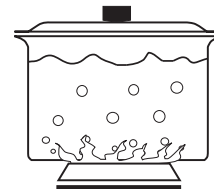
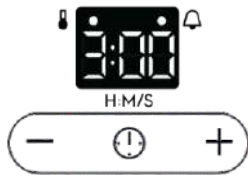


Fig.9

Use of Timer Function



1. Turn on the gas hob according to the normal operation method to ensure proper combustion.
2. Press “⌚” once. The display will turn on at default “0:00”. Input desired timer settings while the display is blinking.
Notice: The display will stop blinking after 2 seconds if no input is detected at “0:00”. Then, display will remain lit for 5 seconds before the timer turns off automatically.
3. Timer function: Maximum 3 hour and minimum 1 minute.
4. Press “+” or “-” to set time.
 - i. Short press to increase or decrease by 1 minute.
 - ii. Long press to make quick adjustment.Tips: When display show “0:00”, press “-” will bring jump to maximum “3:00” (3 hours)
Notice: If you want to readjust the time when count down has started, you may reset it according to the above method.
5. Input timer settings while display is blinking. The display will stop blinking after 2 seconds if no input is detect. Then, display will remain lit for 3 seconds before the timer starts automatically.
Notice: During timer countdown, the display will pulsate as a battery saving feature.
6. When there is 1 minute left in the time, the display will switch to 60 seconds countdown.
7. The flame will extinguish automatically at the end of time, and the display “0:00” with the alarm sound will last for 10 seconds. An indicator light at the upper right corner of the display will keep flashing until the knob returns to the off state.
8. To cancel the timer function during counting down:
 1. Long press “⌚” for more than 2 seconds until the display shows “0:00”. Gas supply and combustion on the burners is not affected.
 2. To cancel timer countdown, Press “-” until display reaches “0:00”. The display will blink for 2 seconds. Then, display will remain lit for 5 seconds before the timer turns off automatically. The burner will continue its current operation.

Notice:

1. This gas hob has a timer function applicable only on the right burner.
2. If the battery power supply is insufficient, the right burner will immediately trigger flameout action.

Description of dry burning prevention function features

1. Dry burning prevention function helps to prevent overheating of the pot. This feature helps to avoid accidents such as fires caused by burning dry pots and pans to safeguard you and your family. (The feature is only available on the left burner.)
2. The dry burning prevention probe in the center of the left burner must be in full contact with the pot bottom to detect the pot temperature.
If you forget to turn off the flame and heat the pot to the warning temperature (about 290°C), the dry burning prevention function will start. The gas will be automatically trigger flameout action on the left burner. Meanwhile, the alarm sound will beep continuously for 10 seconds at the frequency of 1 Hz. The indicator light in the upper left corner of the display will continue to flash until the knob returns to the off state.
Please make sure that the bottom of the pot is in full contact with the sensor. Otherwise, the dry burning prevention cannot function properly. This function will start within a few minutes after the pot completely dry up and the valve will cut off the gas.
When the dry burning prevention probe of the left burner detects a temperature greater than 280°C ($\pm 3^{\circ}\text{C}$), the left burner will not ignite.
3. Low battery alert function (The feature only available for the left burner)
When the battery is flat, the dry burning prevention function will not work properly. It will give an alarm sound for the low battery power when user either press the left knob to ignite, or when the left burner is already ignited. The alarm sound will continuously beep for 10 seconds at the frequency of 2Hz. After the alarm sound stops, the left burner will immediately trigger flameout action.

Notice:


- i. The right burner is not impacted by the above.
- ii. User will need to replace the batteries in order to continue to cook on the left burner which has the dry burning prevention feature; or transfer the cooking to the right burner to continue to cook without dry burning prevention feature.

Precautions for dry burning prevention

a. Dry burning prevention burner (left burner). Please read below instruction carefully for the dry burning prevention probe to function properly.

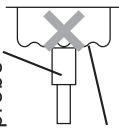
During usage, the top surface of the dry burning prevention probe must be in full contact with bottom of the pot otherwise it will not function properly. **Rounded or pointed bottom pot, casserole, clay pot and aluminum pot are not suitable for the left burner integrated with dry burning prevention probe.**

- If the top surface of the dry burning prevention probe is not in full contact to the bottom of the pot, it will not be able to accurately detect the temperature change in the pot, which will cause fire hazard, burning of appliances and other phenomena.
- Do not use other assistant pan support or pot rack as the probe may not be in full contact with the pot bottom, which will affect the detection.

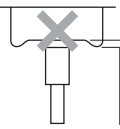


WARNING

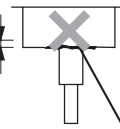
Dry burning prevention probe



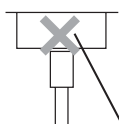
Uneven pot base



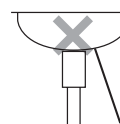
Pot base with >3mm concave




Rust stains, foreign objects attached



Pans + weight of ingredients is too light (below 300 g)




Round-bottomed frying pan




Other assistant pan support or pot rack


Please do not use heat-resistant glass pot, casserole, other pots of slow heat transfer nature or shallow-base pan for frying or deep-frying.



Heat-resistant glass pot



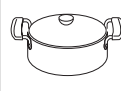


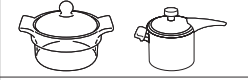

Casserole



Shallow-base pan

The oil temperature will rise rapidly, which can cause a fire or flameout halfway.


b. Choose the right cookware

Types of cookware		Stir-fry	Frying	Boiling water	Other cooking methods	
	Copper, iron	○	○	○	○	
	Stainless steel (flat base)	Thick base	○	○	○	○
		Thin base	○	×	○	○
	Copper, iron	○	○	○	○	
	Stainless steel (flat base)	Thick base	○	○	○	○
		Thin base	○	×	○	○
		○	×	○	○	
		×	×	×	○	
		—	—	○	—	

Thick base: over 2.5 mm, thin bottom: below 2.5 mm

○: Suitable to use

×: Not suitable to use (The dry burning prevention probe will not function properly).



WARNING

Heat-resistant glass pot:

- Always hold the handle of the pot when cooking.
- Please make sure that the bottom of the pot is in full contact with the dry burning prevention probe.
- Due to the different sizes and types of pots and pans, please make sure that the pots and pans are stable, otherwise the dry burning prevention probe may not function properly.

Glass top

- Persistent stains may require vigorous rubbing with nylon scourer or creamed powder cleansers. Household enamel cleaners are available, follow the manufacturer instructions in their use. Harsh abrasive cleaners, powder cleaners, steel wool or wax polishes should not be used.
- Do not use the glass top as a work table.

Burner caps & bases

- These can all be lifted off and removed for separate cleaning.
- Ensure burner caps and base are thoroughly dried after cleaning or spillage.
- When cleaning the burner, ensure that all the flame ports, injector hole and other holes are free of any blockage. (Fig.10 / 11)

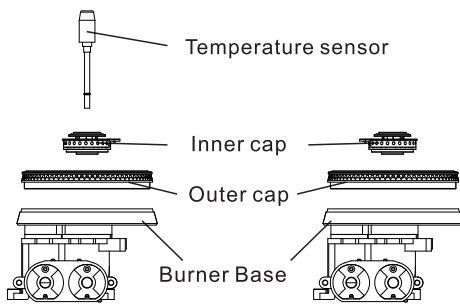


Fig.10

- If necessary, use a matchstick or brush to clear ports.
- After cleaning, ensure the burner caps are reassembled properly into position.
- After cleaning service, when assembling the burner crown and caps, care must be taken to ensure the spark plug is not knocked. The spark plug will crack if knocked and may give rise to flame ignition problem.

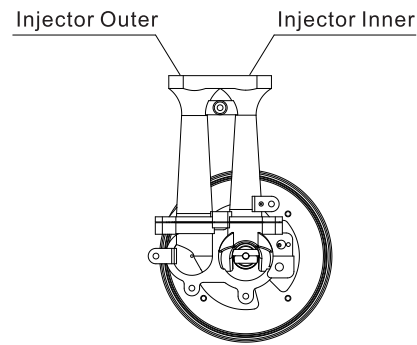


Fig.11



NOTE:
When refitting the burner caps & bases, ensure that they are correctly seated.
Be in mind to wear gloves when doing any maintenance work.

What to do if

Phenomenon	Reason	Solution
Burner will not light. . .	Air in gas line Blockage in line Ignition not sparking Battery is dead Burner not fitted correctly	Purge gas line Trace back & clear Check lead & electrode Replace battery Fit burner in correct position
Burner lights back to injector. . .	Excessive lint up of burner mixing tube Excessive gas pressure	Remove & clean burner Check gas regulator pressure & adjust if necessary
Burner has explosive ignition. . .	Excessive gas pressure	Check gas regulator pressure & adjust if necessary
Ignitor not sparking. . .	Electrode gap excessive Ignitor connections loose Battery is dead	Check gap, adjust if not between 4-5 mm Check connections to ignitor, replace if faulty Change a new battery
Burning prevention function failure	Dry cell batteries run out Dry burning prevention temperature sensor is damaged Dry burning prevention pulse ignitor damaged	Replace two dry cell batteries Replace the sensor Replace the dry burning prevention pulse ignitor

EHG8248BT Timer fault codes and handling method			
Status	Phenomenon	The code shown	Resolution
"End of Timer" prompt	When 10 seconds are left, the buzzer will continuously beep for 20 seconds at the frequency of 1Hz. When 0 seconds are left, the flameout is executed and the "0:00" display continues for 10 seconds before disappearing. The indicator light at the upper right corner of the display will keep flashing until the knob returns to the off position.	0:00	Return knob to the off position. Reactivate timer by reigniting the fire.
"Thermocouple valve open circuit" alarm	The buzzer will beep at the frequency of 1Hz and the "E1" will display continuously for 10 seconds before disappearing.	E 1	Replace thermocouple valve circuit
"Low battery power" prompt	The buzzer will beep at the frequency of 2Hz and the "L0" will display continuously for 10 seconds before disappearing.	L0	Replace two dry cell batteries



WARNING:

Do not spray aerosols in the vicinity of this hob while in operation. Some propellant gases can break down when heated and produce corrosive vapours which will attack some materials.

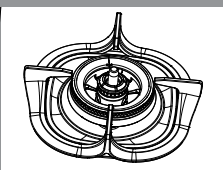
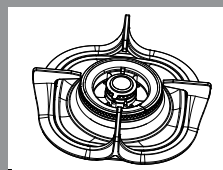
Articles which are made from flammable materials should not be stored in drawers or cupboards immediately below this hob.

Do not store articles within 50mm of the base.

Do not touch spark ignitor while lighting the burner.

Where this appliance is installed in a marine craft or in caravans, it shall not be used as a space heater.

Technical specifications

		LPG			LPG
	Left Wok burner (EHG8238BC) (EHG8248BT)	5.0kW 364g/h		Right Wok burner (EHG8238BC) (EHG8248BT)	5.0kW 364g/h
Reduce Rate	1.0kW	L.P. Gas		EHG8238BC	EHG8248BT
Setting	30mbar	Wok burner(Outer) (Inner)		Ø0.88, 6-Ø4.2	Ø0.88, 6-Ø4.2
Gas connection	0.5 Inch straight thread (14 threads per inch)			Ø0.54, 6-Ø3.0	Ø0.54, 6-Ø3.0
Battery	3V D.C				

9 warranty conditions

Standard warranty conditions

We, Electrolux, undertake that with warranty period (refer to each country location for warranty period-months) this Electrolux appliance or any part thereof is proved to be defective by reason only of faulty workmanship or materials, we will, at our option repair or replace the same FREE OF CHARGE for labour, materials or carriage on condition that:

The appliance has been correctly installed and used only on the electricity supply stated on the rating plate. The appliance has been used for normal domestic purposes only, and in accordance with the manufacturer instructions. The appliance has not been serviced, maintained, repaired, taken apart or tampered with by any person not authorized by us.

All service work under this guarantee must be undertaken by an Electrolux Service Center. Any appliance or defective part replaced shall become the Company property. This warranty is in addition to your statutory and other legal rights.

This warranty does not include maintenance, like cleaning of hob.

The manufacturer waives all liability for failure to observe the instructions for the appropriate installation, maintenance and use of the appliance.

If you need any technical help or would like more information about our products, please do not hesitate to contact our Customer Care Center, listed below:

INDONESIA

Customer Care Center: 0804 111 9999 (Semi Toll Free)
PT. Electrolux Indonesia
Electrolux Building Jl. Abdul Muis No.34, Petojo Selatan,
Gambir Jakarta Pusat 10160
SMS/Whatsapp : 0811 833 9777
HYPERLINK "mailto:vncare@electrolux.com"
Email: customercare@electrolux.co.id
HYPERLINK "http://www.electrolux.vn/"
Website: www.electrolux.co.id

MALAYSIA

Customer Care Hotline: 1300 88 1122
Electrolux Home Appliances Sdn. Bhd.
Corporate Office Address: Unit T2-7, 7th Floor, Tower 2,
PJ33, No.3, Jalan Semangat, Seksyen 13,
46200 Petaling Jaya, Selangor.
Fax No: +603-5524 2521
HYPERLINK "mailto:malaysia.customercare@electrolux.com"
Email: malaysia.customercare@electrolux.com
HYPERLINK "http://www.electrolux.com.my/"
Website: www.electrolux.com.my

THAILAND

Customer Care Center: 02-7259000
Electrolux Thailand Co., Ltd.
Electrolux Building 14th Floor 1910 New Phetchaburi Road,
Bangkapi, Huai Khwang, Bangkok 10310
Line ID: @electroluxcare
Email: HYPERLINK "mailto:customercarethai@electrolux.com"
customercarethai@electrolux.com
HYPERLINK "http://www.electrolux.th/"
Website: www.electrolux.co.th

VIETNAM

Customer Care Center: 1800 58 88 99 (Toll Free)
Electrolux Vietnam Ltd.
Floor 9th, A&B Tower 76 Le Lai street-Ben Thanh Ward-District 1
Ho Chi Minh City, Vietnam
HYPERLINK "mailto:vncare@electrolux.com"
Email: vncare@electrolux.com
HYPERLINK "http://www.electrolux.vn/"
Website: www.electrolux.vn

PHILIPPINES

Domestic Toll Free PLDT No: 1-800-10-845-CARE (2273)
Electrolux Philippines, Inc.
10th Floor. W5th Avenue Building 5th Avenue Corner 32nd Street
Bonifacio Global City, Taguig Philippines 1634
Manila Hotline No: (02) 845-CARE (2273) / (02)-8845-4663
HYPERLINK "mailto:malaysia.customercare@electrolux.com"
Email: wecare@electrolux.com
HYPERLINK "http://www.electrolux.com.my/"
Website: www.electrolux.com.ph

SINGAPORE

Customer Care hotline is +65 6727 3699
Electrolux S.E.A. Pte Ltd.
1 Fusionopolis Place, #07-10 Galaxis, West Lobby
Singapore 138522.
HYPERLINK "mailto:customer-care.SIN@electrolux.com"
Email: customer-care.SIN@electrolux.com
HYPERLINK "http://www.electrolux.com.sg/"
Website: www.electrolux.com.sg

HONG KONG

Service Hotline: +852 3193 9888
DCH Electrical Appliances Services Centre 5/F, DCH Building,
20 Kai Cheung Road, Kowloon Bay, Hong Kong
HYPERLINK "mailto:ha@ead.dch.com.hk"
Email: ha@ead.dch.com.hk
HYPERLINK "http://www.electrolux.com.hk/"
Website: www.electrolux.com.hk

ข้อแนะนำเพื่อความปลอดภัย.....	3
ส่วนประกอบของเตา.....	4
คำแนะนำในการติดตั้ง.....	6
ขั้นตอนในการติดตั้ง.....	6
การต่อระบบแก๊ส.....	7
การใช้งาน.....	8
หิวเตา.....	8
การใช้งานเตาอย่างถูกวิธี.....	8
การดูแลรักษา.....	11
พิวกระจก.....	11
ฟากรอบหิวเตาและฐาน.....	11
สิ่งที่ต้องทำหากเกิดปัญหา.....	11
ข้อกำหนดทางเทคนิค.....	12
เงื่อนไขมาตรฐานการรับประกัน.....	12

ขอพระคุณที่ท่านเลือกซื้อและใช้อุปกรณ์เครื่องใช้ภายในบ้านของอีเลคโตรลิกซ์

กลุ่มบริษัทอีเลคโตรลิกซ์จากสวีเดนคือหนึ่งในผู้จำหน่ายอุปกรณ์เครื่องใช้ภายในบ้านรายใหญ่ที่สุดของโลก โดยมีผู้ใช้ผลิตภัณฑ์ของอีเลคโตรลิกซ์กว่า 65 ล้านชิ้นในแต่ละปีทั่วโลก นอกจากนี้ อีเลคโตรลิกซ์ยังเป็นผู้ผลิตอุปกรณ์ไฟฟ้าภายในครัวรายใหญ่ที่สุดของโลกอีกด้วย กลุ่มบริษัทอีเลคโตรลิกซ์มียอดขายหน่วยผลิตภัณฑ์ในครัวเรือนกว่า 55 ล้านชิ้น ซึ่งมีความสูงรวมกันแล้วเท่ากับยอดเขาเอเวอเรสต์ 5 ลูก และโรงแรมระดับโลกเกินกว่า 2 ใน 3 เลือกใช้อุปกรณ์ชุดครัวของอีเลคโตรลิกซ์

จะเห็นได้ว่าอีเลคโตรลิกซ์ประสบความสำเร็จมาตลอด 80 ปี จากจำนวนครัวเรือนที่ใช้สินค้าของอีเลคโตรลิกซ์กว่า 450 ล้านครัวเรือนทั่วโลก เราจึงมีความยินดีเป็นอย่างยิ่งที่จะส่งมอบผลิตภัณฑ์ที่ดีที่สุดภายใต้แบรนด์อีเลคโตรลิกซ์ ที่มีชื่อเสียงมายาวนานแก่ผู้บริโภคในเอเชียตะวันออกเฉียงใต้ สำหรับเราแล้ว อีเลคโตรลิกซ์ไม่ได้เป็นเพียงยี่ห้อของผลิตภัณฑ์เครื่องใช้ในครัวเรือนที่น่าเชื่อถือสูงสุดเท่านั้น แต่อีเลคโตรลิกซ์ยังเป็นยี่ห้อที่น่าวิถีชีวิตที่แปลกใหม่มาสู่ครัวเรือนด้วยเทคโนโลยีที่ทันสมัยและดีไซน์ยอดเยี่ยม ซึ่งนอกจากจะนำความหรูหราเข้าสู่ห้องครัวของท่านแล้ว อีเลคโตรลิกซ์ยังช่วยทำให้การทำอาหารง่ายขึ้น สนุกขึ้น และยังเป็นกิจกรรมที่สามารถทำร่วมกับสมาชิกในบ้านได้อีกด้วย ขอให้ท่านสนุกกับการทำอาหารด้วยเครื่องใช้ในครัวของอีเลคโตรลิกซ์!

บริษัทฯขอขอพระคุณอีกครั้งที่ท่านให้ความไว้วางใจเลือกใช้สินค้าของอีเลคโตรลิกซ์!

ก่อนติดตั้งหรือใช้งานอุปกรณ์ชิ้นนี้ โปรดอ่านคู่มือให้ละเอียดโดยเฉพาะคำเตือนเกี่ยวกับความปลอดภัยในหน้าถัดไป

หากท่านมีคำถามเกี่ยวกับอุปกรณ์ชิ้นนี้ โปรดติดต่อขอคำแนะนำจากฝ่ายดูแลลูกค้า และเก็บคู่มือเล่มนี้ไว้เพื่อใช้อ้างอิงในอนาคต และส่งต่อให้เจ้าของรายต่อไป

3 ข้อแนะนำเพื่อความปลอดภัย

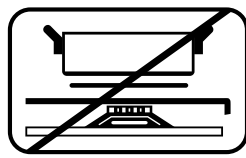
ข้อแนะนำเพื่อความปลอดภัย

- ห้ามใช้ผลิตภัณฑ์กับแก๊สประเภทอื่นที่ไม่ได้ระบุไว้
- ห้ามวางวัสดุใดๆ เช่น ที่กันเปลวไฟ, เฝ้านหิน กันระหว่างกระทากับขาตั้งกระทะเพราะอาจทำให้ตาเสียหายได้ (รูป 1)
- ห้ามถอดขาตั้งกระทะ และวางขาตั้งภาชนะกันลิกที่ไม่ใช่ของอีเลคโตรลิกซ์ครอบหั่วเตาไว้ เพราะจะทำให้เปลวไฟแรงขึ้น และทำให้เปลวไฟเปลี่ยนทิศทางไปสัมผัสโดนผิวกระทะได้ (รูป 2)
- ห้ามใช้มือหรือภาชนะที่มีขนาดใหญ่หรือมีน้ำหนักมาก เพราะอาจทำให้ขาตั้งภาชนะมีคังงอและทำให้เปลวไฟเปลี่ยนทิศทางไปสัมผัสโดนผิวกระทะได้ (รูป 3)
- วางกระทะให้อยู่ตรงกลางหั่วเตาเพื่อให้มันคงและเพื่อไม่ให้หั่วเตาร้อนจนเกินไป (รูป 4)
- ใช้เฉพาะขาตั้งที่ห้ามหรือขาตั้งที่แนะนำโดยผู้ผลิตอุปกรณ์ (รูป 5)
- ขาตั้งภาชนะกันลิกใช้สำหรับวางภาชนะกันลิก และขาตั้งแบบอื่นๆ ใช้สำหรับวางหม้อหรือภาชนะกันแบบ
- เตาแก๊สนี้ใช้สำหรับการทำอาหารเท่านั้น ห้ามใช้เพื่อวัตถุประสงค์อื่น เช่น ทำให้ฟ้าระเบิดตัว เสื่อฟ้า ฯลฯ เพราะอาจทำให้เกิดไฟไหม้ได้
- หากเกิดแก๊สรั่ว ให้ปิดแก๊สทันที เปิดหน้าต่างทุกบานเพื่อระบายอากาศ และติดต่อศูนย์บริการอีเลคโตรลิกซ์ ห้ามเปิด/ปิดสวิตช์ไฟ จุดไม้ขีดไฟ ลูบบุหรี่ หรือจุดไฟเช็กโดยเด็ดขาด
- ใช้เตาแก๊สในห้องที่ระบายอากาศได้ดีเท่านั้น
- ห้ามต่อแก๊สกับท่อไวบิล เพราะท่อไวบิลอาจอ่อนตัวลง เนื่องจากความร้อน ให้ใช้เฉพาะท่ออย่างเท่านั้น
- ตรวจสอบให้แน่ใจว่าหมอนับปิดลูกบิดจุดไฟแล้วและปิดวาล์วที่ถังแก๊สทุกครั้งหลังจากใช้งานเสร็จ
- อย่าสัมผัสหั่วเตา ขาตั้งกระทะ ฯลฯ กันที่หลังจากใช้งานเสร็จ เพราะท่านอาจได้รับอันตรายจากไฟลวกได้
- ตรวจสอบว่าท่ออย่างไม่ได้สัมผัสหั่วเตาหรือถูกกันอยู่ที่เตา
- เมื่อต่อท่ออย่างเข้ากับเตาแก๊ส จะต้องขันที่รัดท่อให้แน่น
- ขาตั้งกระทะบริเวณที่สัมผัสหรือใกล้เปลวไฟจะมีการเปลี่ยนสีหลังใช้งาน ซึ่งถือเป็นเรื่องปกติ
- แม้ว่าผลิตภัณฑ์จะมีฟังก์ชันตั้งเวลาปิดและเซ็นเซอร์วัดอุณหภูมิ ทั้งนี้ยังคงต้องใช้ความระมัดระวังและอย่าปล่อยให้เตาแก๊สทิ้งไว้ ในระหว่างประกอบอาหาร

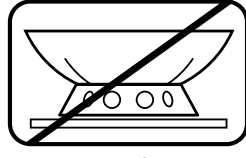


คำเตือน:

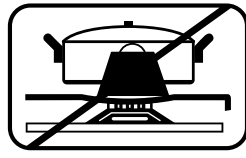
- ในกรณีที่ใช้เตาแล้วเปลวไฟดับเอง ให้หมอนับลูกบิดควบคุมการทำงานไปที่ตำแหน่งปิด และปล่อยไว้อย่างน้อย 1 นาที อย่าพยายามจุดหั่วเตาทันที
- สำหรับหั่วเตาที่ติดตั้งอุปกรณ์ควบคุมเปลวไฟ (Flame Supervision Device) หากหมอนับลูกบิดเพื่อเปิดเตาจนถึง 15 วินาที แล้วเปลวไฟยังไม่ติด ให้หยุดใช้งานแล้วเปิดประตูหรือช่องระบายอากาศและรออย่างน้อย 1 นาที ก่อนลองเปิดเตาใหม่อีกครั้ง
- ถ้าปลายท่อต่อแก๊สหลุด ให้ใช้ลวดเส้นเล็กๆ หรือเข็มหมุดเข้าไปในรูและทำความสะอาดปลายท่อ



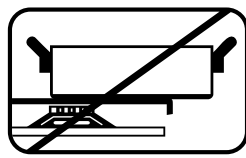
รูป 1



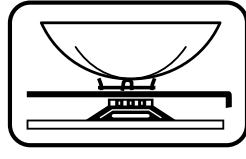
รูป 2



รูป 3

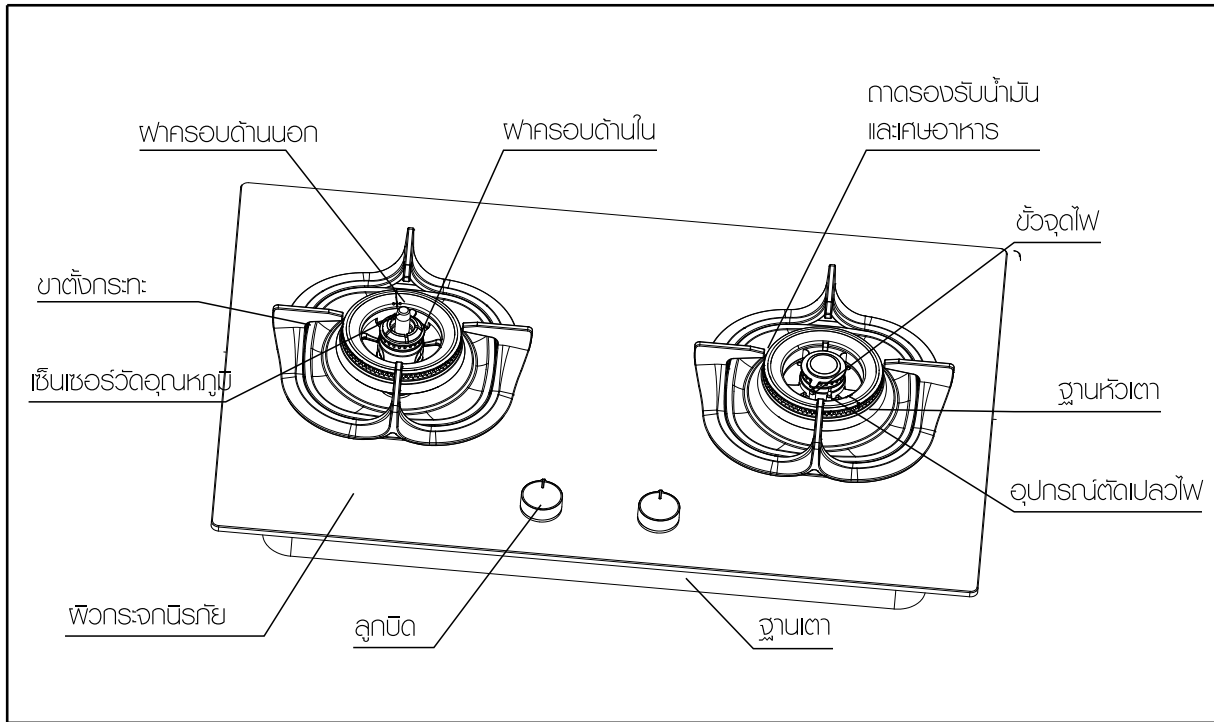


รูป 4

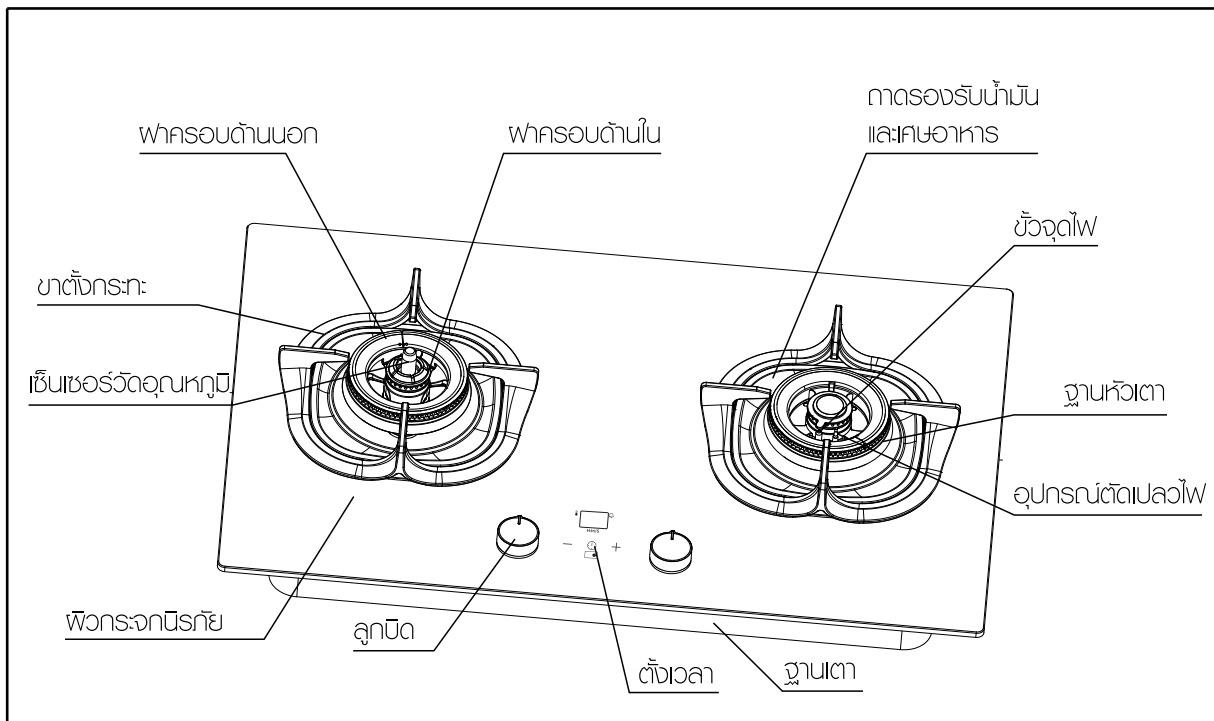


รูป 5

EHG8238BC



EHG8248BT



5 ส่วนประกอบของเตา

คลาสของเครื่องใช้นี้: คลาส 3

- คำแนะนำเหล่านี้จะใช้ได้เฉพาะเมื่อมีสัญลักษณ์ประเภทปรากฏอยู่บนเครื่องใช้เท่านั้น
- ถ้าไม่มีสัญลักษณ์ประเภทปรากฏอยู่บนเครื่องใช้นี้ ท่านต้องปฏิบัติตามคำแนะนำทางเทคนิคซึ่งจะมีคำแนะนำที่สำคัญเกี่ยวกับการดัดแปลงเครื่องใช้ให้เหมาะสมกับสภาพการใช้งานในประเภทของท่าน
- ก่อนติดตั้ง ตรวจสอบให้แน่ใจว่าเงื่อนไขในการจัดจำหน่ายเก็ลในท้องถิ่นของท่าน (ลักษณะ: เก็ลและแรงดัน: เก็ล) และการปรับแต่งเครื่องใช้สอดคล้องกันหรือไม่
- เงื่อนไขในการปรับแต่งเครื่องใช้นี้จะระบุอยู่บนป้าย (หรือฉลากแสดงข้อมูล)
- เครื่องใช้ไม่ได้เชื่อมต่อกับอุปกรณ์ทำความร้อน ซึ่งควรได้รับการติดตั้งและเชื่อมต่อตามข้อกำหนดในการติดตั้งในปัจจุบัน
- ควรให้ความสนใจเป็นพิเศษกับข้อกำหนดที่เกี่ยวกับการระบายอากาศ
- หลีกเลี่ยงการใช้ภาชนะทำอาหารที่มีขนาดใหญ่เกินหน้าเตา
- การใช้เพงกันเตาที่ไม่เหมาะสมอาจก่อให้เกิดอุบัติเหตุได้
- ไม่ควรใช้เพงกันเตา
- การใช้เตาเก็ลจะส่งผลให้เกิดความร้อน ความชื้น และขมุกขมัวในห้องที่ติดตั้งเตาเก็ล
- ตรวจสอบให้แน่ใจว่าห้องครัวระบายอากาศได้ดี โดยเฉพาะขณะกำลังใช้งานเตา ควรเปิดประตูและหน้าต่างทิ้งไว้ และเปิดอุปกรณ์ช่วยระบายอากาศ (เครื่องดูดควัน)
- หากมีการเปิดเตาเก็ลโดยใช้ไฟแรงเป็นเวลานาน อาจต้องมีการระบายอากาศเพิ่มเติม เช่น เปิดหน้าต่าง หรือเพิ่มประสิทธิภาพการระบายอากาศ เช่น เพิ่มระดับการดูดควันของเครื่องดูดควัน

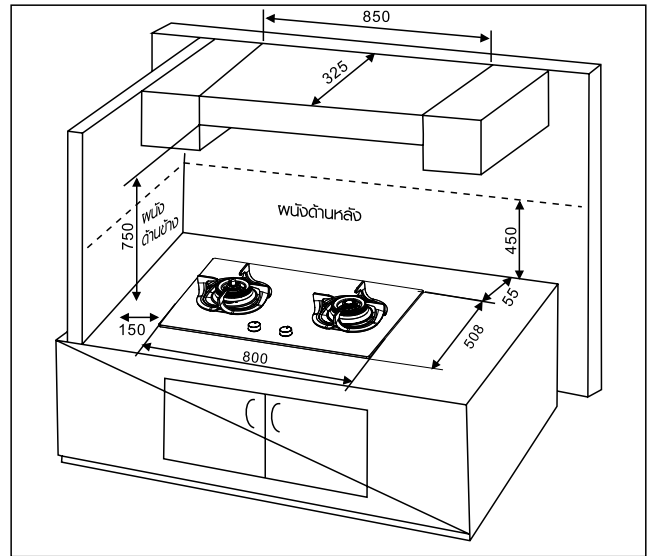
ข้อควรระวัง:

ในกรณีที่เกิดประกายไฟหรือ:

- ปิดหัวเตาทันทีและขจัดลวดไฟฟ้าทันที แล้วถอดปลั๊กไฟออกจากเตา
- ห้ามสัมผัสผิวเตา
- ห้ามใช้งานเตา

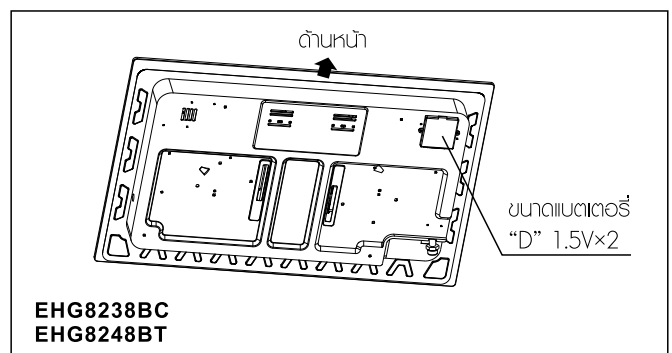
ขั้นตอนในการติดตั้ง

- ขอให้ช่างผู้ติดตั้งบอกตำแหน่งของวาล์วที่ใช้ปิดแก๊ส และวิธีปิดในกรณีฉุกเฉิน
- นำบรรจุภัณฑ์ออกจากเตาให้หมดก่อนใช้งาน เพื่อหลีกเลี่ยงความเสียหายที่อาจเกิดจากการเกิดไฟไหม้หรือควัน
- ปฏิบัติตามคำแนะนำเกี่ยวกับการเว้นระยะห่างขั้นต่ำจากพื้นผิวที่ติดไฟได้ ซึ่งต้องตรงตามข้อมูลที่ระบุบนฉลากแสดงข้อมูล และสอดคล้องกับกฎหมายอัคคีภัยแห่งชาติ
- ถ้าติดตั้งเตาใกล้หน้าต่าง ควรระวังอย่าให้พ้าม่านปลิวมาเหนือเตา เพราะอาจก่อให้เกิดอันตรายจากไฟไหม้ได้
- การพิจารณาเลือกที่ตั้งเตา ควรคำนึงถึงจุดที่ติดตั้งถังแก๊ส และปลั๊กไฟด้วย
- ควรปิดหัวต่อแก๊สและรูสียบปลั๊กไฟ ขณะทำการติดตั้ง
- อย่าติดตั้งเตาอื่นๆ ติดกับเตานี้
- ตรวจสอบด้านล่างของเคาน์เตอร์ว่าไม่มีสิ่งใดยื่นออกมาขวางทางติดตั้งหัวเตา และพิวเคาน์เตอร์ต้องแข็งแรง สามารถรับน้ำหนักของตัวเตาได้
- ตรวจสอบว่าตู้ที่จะติดตั้งอยู่ในระบบเดียวกันทั้งด้านข้าง ด้านหน้า และด้านหลัง
- ตัวตู้ต้องเจาะรูเพื่อระบายอากาศ และต้องไม่มีสิ่งใดกีดขวางรูระบายอากาศนี้
- สำหรับการติดตั้งเครื่องดูดควันเหนือเตานี้ ให้ปฏิบัติตามคำแนะนำของผู้ผลิตเครื่องดูดควันนั้นๆ แต่โดยปกติจะต้องเว้นระยะห่างอย่างน้อย 750 มม. (30 นิ้ว) ระหว่างพิวเตากับตู้ด้านบนผนังด้านบน หรือเครื่องดูดควัน (รูป 6)
- ตู้ด้านบนที่ติดตั้งเหนือเตาจะต้องมีความลึกไม่เกิน 325 มม. (13 นิ้ว) (รูป 6)
- เว้นระยะห่างระหว่างขอบเตากับผนังด้านหลังอย่างน้อย 55 มม. (รูป 6)



รูป 6 (หน่วยเป็น มม.)

ถ้าระยะห่างจากผนังด้านข้างหรือด้านหลังถึงเส้นรอบวงของหัวเตาน้อยกว่า 200 มม. จะต้องบุผนังด้วยวัสดุป้องกันไฟ วัสดุป้องกันไฟนี้จะต้องติดตั้งเหนือเตาไม่ต่ำกว่า 450 มม. ในกรณีที่ระยะห่างระหว่างพื้นผิวด้านบนกับตัวเตาน้อยกว่า 750 มม. ต้องติดตั้งวัสดุป้องกันไฟด้วยเช่นกัน



ช่องใส่แบตเตอรี่

1. เมื่อแบตเตอรี่หมดหรือปรายไฟอ่อน ควรเปลี่ยนแบตเตอรี่ใหม่
2. ช่องใส่แบตเตอรี่จะอยู่ในตำแหน่งตามภาพ ให้เปลี่ยนแบตเตอรี่ใหม่โดยใส่ขั้วให้ถูกต้องตามภาพ

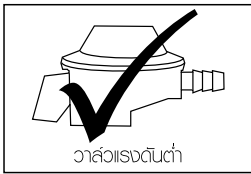
คำเตือน: โปรดนำแบตเตอรี่ออกหากคาดว่าจะไม่ได้ใช้งานเป็นเวลานาน

7 ขั้นตอนในการติดตั้ง

การต่อระบบแก๊ส

- ก่อนติดตั้ง ให้ตรวจสอบจุดที่จะติดตั้งว่าได้วันระยะห่างของตัวเตาจากวัสดุที่ติดไฟได้แล้ว และหากจำเป็น ให้บุพิววัสดุที่ติดกับเตาตามข้อแนะนำที่กำหนด เตรียมท่อแก๊สตามที่จุดติดตั้งให้เรียบร้อย
- เจาะช่องบนเคาน์เตอร์โดยใช้แม่แบบกระดาษแข็งที่ให้มากับบรรจุภัณฑ์ หรือเจาะตามขนาดที่กำหนดในรูปที่ 7
- นำตัวเตาออกจากกล่อง
- ติดตั้งเตาลงในช่องที่เจาะไว้ (รูป 7)
- ต่อแก๊สเข้าเตา เปิดแก๊สแล้วตรวจสอบว่ามีรอยรั่วหรือไม่ โดยใช้น้ำสบู่ถูบริเวณรอยต่อและจุดเชื่อมต่อทั้งหมด
- ตรวจสอบการใช้งาน โดยกดลูกบิดควบคุมการทำงานแล้วหมุนไปที่ไฟแรงสุด หัวเตาจะติดไฟ หมุนปรับเปลวไฟให้ได้ตามที่ต้องการ สำหรับการใช้งานครั้งแรก อาจต้องทำซ้ำเช่นนี้หลายครั้ง (เพื่อไล่อากาศออกจากท่อแก๊ส) และไม่จำเป็นต้องปรับแต่งอย่างอื่นอีก หากมีปัญหากับการใช้งาน ให้ทำตามคำแนะนำในคู่มือการใช้งาน
- โปรดเก็บคู่มือการใช้งานไว้ ถ้าปฏิบัติตามคำแนะนำข้างต้นแล้ว ยังไม่ได้ผลตามที่ต้องการ ให้ติดต่อศูนย์บริการลูกค้าฮิลส์ไทรลักษ์

ใช้วาล์วแรงดันต่ำที่มีแรงดันสูงสุดไม่เกิน 30 มิลลิบาร์เท่านั้น



การต่อระบบแก๊ส

การเดินท่อหรือระบบท่อที่ต่อจากท่อส่งแก๊สจะต้องเป็นไปตามมาตรฐานที่กำหนดภายในประเทศ ต้องติดตั้งเตานี้เข้ากับวาล์วแรงดันต่ำเท่านั้น

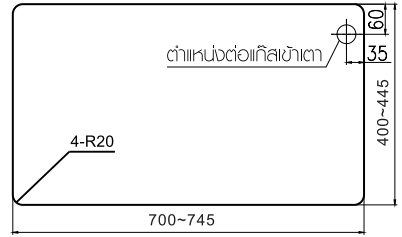
การต่อท่ออ่อน

ท่ออ่อนที่ใช้ต่อแก๊สจะต้องอยู่ในจุดที่สามารถมองเห็นได้ตลอดทั้งเส้น (ความยาวสูงสุดไม่เกิน 1 เมตร) ใช้ที่รัดท่อ (X) (รูป 8) รัดที่ปลายให้แน่น และต้องใส่วงแหวนกันรั่วด้วย



ข้อแนะนำเพื่อความปลอดภัยที่สำคัญ:
เมื่อต่อท่อแก๊สเสร็จเรียบร้อยแล้วจะต้องตรวจสอบหารอยรั่วตามข้อต่อ (การทดสอบด้วยน้ำสบู่)

EHG8238BC
EHG8248BT



รูป 7 (หน่วยเป็น มม.)

ขนาดเจาะเคาน์เตอร์โดยมองจากด้านหน้า ลูกบิดควบคุมการทำงานอยู่ด้านหน้า

ผลิตภัณฑ์นี้ต้องได้รับการติดตั้งและซ่อมบำรุงโดยบุคคลที่เป็นผู้เชี่ยวชาญและได้รับอนุญาตอย่างถูกต้องเท่านั้น

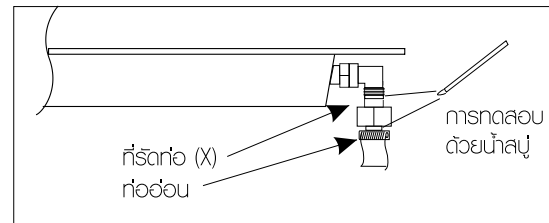


ขั้นตอนการทดสอบด้วยน้ำสบู่

- หมุนปิดลูกบิดควบคุมการทำงานและปิดวาล์วแก๊ส
- ใช้น้ำสบู่ทาบริเวณข้อต่อแต่ละจุด (รูป 8)
- หากมีฟอง แสดงว่ามีรอยรั่วและต้องขันให้แน่น
- ใช้น้ำสบู่ทดสอบอีกครั้ง

คำเตือน

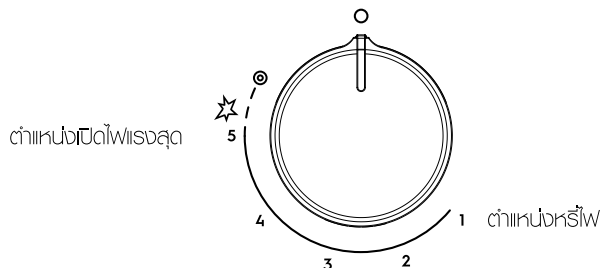
ตรวจสอบข้อมูลที่แผ่นป้ายเพื่อให้แน่ใจว่าเตานี้สามารถใช้กับแก๊สประเภทที่ท่านใช้อยู่ได้



รูป 8

หัวเตา

1. ตรวจสอบว่าต่อท่อแก๊สเรียบร้อยแล้ว และติดตั้งด้วยอุปกรณ์ที่เหมาะสม
2. หมุนลูกบิดควบคุมการทำงานของทุกหัวเตาไปที่ตำแหน่งปิด
3. เตารุ่นนี้มีระบบรักษาความปลอดภัยที่ช่วยควบคุมการไหลของแก๊ส เมื่อจุดบนลูกบิดตรงกับสัญลักษณ์ต่างๆ จะมีความหมายดังนี้:



ปิดเตาโดยการหมุนลูกบิดไปทางขวาจนกระทั่งได้ยินเสียงคลิก

4. ในการจุดเตา ให้จับที่ลูกบิดและกดลงค้างไว้ 2-3 วินาที หมุนลูกบิดไปที่ตำแหน่งไฟแรงสุด สำหรับรุ่นที่มีเทอร์โมคัปเปิล ให้กดลูกบิดลงค้างไว้ 5-8 วินาที มิฉะนั้นเปลวไฟจะดับ
5. ถ้าเปลวไฟไม่ติด ให้ทำซ้ำในขั้นตอนที่ 4
6. ถ้าเปลวไฟดับทันที ให้ทำซ้ำในขั้นตอนที่ 4
7. เมื่อใช้เตาใหม่อีกครั้งหลังจากเพิ่งปิด ให้รอประมาณ 10 วินาที ก่อนจุดไฟครั้งใหม่
8. หัวเตาแต่ละหัวมีหัวจุดไฟแยกจากกัน
9. เมื่อเปลวไฟติดแล้ว ให้หมุนปรับลูกบิดจนได้เปลวไฟตามที่ท่านต้องการ โดยไม่ต้องกดลูกบิด

สำหรับหัวเตาที่ติดตั้งอุปกรณ์ควบคุมเปลวไฟ (Flame Supervision Device) ถ้าหลังจากหมุนลูกบิดเพื่อเปิดเตาจนถึง 15 วินาที แล้วเปลวไฟยังไม่ติด ให้หยุดการเปิดเตาปล่อยเตาทิ้งไว้อย่างน้อย 1 นาที ก่อนที่จะพยายามเปิดเตาใหม่อีกครั้ง

การใช้งานเตาอย่างถูกวิธี

- เพื่อให้การใช้เตาเกิดประสิทธิภาพสูงสุด ขอแนะนำให้ใช้หม้อหรือกระทะที่มีขนาดกันที่ที่เหมาะสมกับขนาดหัวเตา เพื่อไม่ให้เปลวไฟลามออกมาสันหม้อหรือกระทะ (ดูตารางที่ 1)
- และขอแนะนำให้หรีฟลองกันที่ที่น้ำเริ่มเดือด เพื่อที่น้ำจะได้ไม่เดือดจนล้นหม้อ

หัวเตา	เส้นผ่านศูนย์กลางต่ำสุด	เส้นผ่านศูนย์กลางสูงสุด
หัวเตาภาชนะกันล้น	160 มม.	280 มม.
หัวเตาขนาดกลาง	120 มม.	220 มม.

การเลือกหัวเตา

- หัวเตาขนาดกลางใช้สำหรับทำอาหารที่ต้องใช้ไฟต่ำ เคี้ยว หรือใช้เวลากำหนาน
- หัวเตาภาชนะกันล้นใช้สำหรับทำอาหารที่ต้องการให้ร้อนเร็วด้วยภาชนะกันล้นหรือกระทะขนาดใหญ่

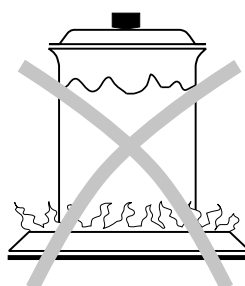
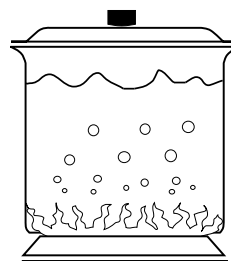
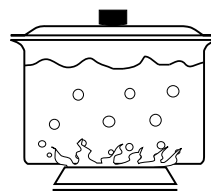


หมายเหตุ:

- โปรดทราบว่า การใช้กระทะที่มีกันกว้างจะทำอาหารได้เร็วกว่ากระทะกันแคบ
- ควรใช้หม้อที่มีขนาดเหมาะสมกับประเภทอาหารที่ทำ
- ตรวจสอบให้แน่ใจว่าขนาดของกระทะไม่เล็กจนเกินไปสำหรับการปรุงอาหารที่ต้องใส่น้ำ เนื่องจากน้ำอาจเดือดจนล้นกระทะออกมาได้
- ไม่ควรใช้กระทะที่มีขนาดใหญ่เกินไปเมื่อต้องการทำอาหารให้เสร็จเร็วๆ

ควรใช้กระทะที่มีขนาดเส้นผ่านศูนย์กลางเหมาะสมกับหัวเตา เพื่อให้เกิดประสิทธิภาพสูงสุดและยังช่วยประหยัดแก๊สได้อีกด้วย ดังในรูป 9

ขอแนะนำให้ปิดฟ้าม้อตุ๋น และกันที่ที่น้ำเดือด ให้หรีฟลองให้อยู่ในระดับเดือดปานกลาง



รูป 9

การใช้งานฟังก์ชันตั้งเวลาปิด



- เปิดเตาแก๊สโดยปฏิบัติตามขั้นตอนที่อธิบายไว้ข้างต้น
- กด “0” หนึ่งครั้ง จอแสดงผลจะติดสว่างและ “0:00” ซึ่งเป็นค่าแรกเริ่มจะปรากฏ
หมายเหตุ: หากไม่มีการดำเนินการใดๆ หลังจากเวลาผ่านไป 5 วินาที จอแสดงผลจะดับลงโดยอัตโนมัติ
- ฟังก์ชันตั้งเวลาปิด: ตั้งเวลาได้สูงสุด 3 ชม. และต่ำสุด 1 นาที
- กด “+” หรือ “-” เพื่อตั้งเวลา
(1) กดปุ่มดังกล่าวแล้วปล่อยเพื่อเพิ่มหรือลดเวลาครั้งละ 1 นาที
(2) กดปุ่มดังกล่าวค้างไว้เพื่อปรับเวลาอย่างรวดเร็ว
เคล็ดลับ: เมื่อ “0:00” ปรากฏบนจอแสดงผล การกดปุ่ม “-” จะเป็นการปรับตั้งเวลาไปที่ค่าสูงสุด “3:00” (3 ชม.)
ข้อสังเกต: หากท่านต้องการปรับเวลาใหม่หลังจากตัวจับเวลาเริ่มนับเวลากอยหลังจากแล้ว ให้ปรับตั้งเวลาใหม่โดยปฏิบัติตามขั้นตอนที่กล่าวมาข้างต้น
- หลังจากปรับตั้งเวลาที่ต้องการแล้ว ตัวจับเวลาจะเริ่มนับเวลากอยหลังจากเมื่อจอแสดงผลหยุดกะพริบ
ข้อสังเกต: หลังจากฟังก์ชันตั้งเวลาปิดเริ่มทำงาน จอแสดงผลจะกะพริบเป็นจังหวะในระหว่างการนับเวลากอยหลังจากเพื่อประหยัดพลังงานแบตเตอรี่
- เมื่อเหลือเวลาอีก 1 นาที จอแสดงผลจะเข้าสู่โหมดนับเวลากอยหลังจาก 60 วินาที
- เปลวไฟจะดับลงโดยอัตโนมัติเมื่อหมดเวลา และ “0:00” จะปรากฏบนจอแสดงผลต่อไปอีก 10 วินาที พร้อมกับมีเสียงเตือนดังขึ้น ไฟแสดงสถานะที่มุมด้านขวาบนของจอแสดงผลจะกะพริบต่อเนื่องจนกว่าจะหมุนลูกบิดไปยังตำแหน่งปิด
- หากต้องการยกเลิกฟังก์ชันตั้งเวลาปิดในระหว่างการนับเวลากอยหลังจาก
 - กด “0” ค้างไว้อย่างน้อย 2 วินาทีจนกระทั่ง “0:00” ปรากฏบนจอแสดงผล การกระทำดังกล่าวจะไม่ส่งผลกระทบต่อการทำงานของเตาแก๊สและการเผาไหม้ที่หัวเตา
 - กด “-” จนกระทั่ง “0:00” ปรากฏบนจอแสดงผล จอแสดงผลจะกะพริบนาน 3 วินาทีจากนั้นจึงดับลง การกระทำดังกล่าวจะไม่ส่งผลกระทบต่อการทำงานของเตาแก๊สและการเผาไหม้ที่หัวเตา

ข้อสังเกต:

- เตาแก๊สรุ่นนี้มีฟังก์ชันตั้งเวลาปิดที่หัวเตาด้านขวาเท่านั้น
- หากกระแสไฟแบตเตอรี่ไม่เพียงพอ หัวเตาด้านขวาจะดับไฟทันที

คำอธิบายเกี่ยวกับฟังก์ชันป้องกันไฟไหม้

- ฟังก์ชันป้องกันไฟไหม้จะช่วยป้องกันไม่ให้เกิดอุบัติเหตุจากหม้อปรุงอาหารมีอุณหภูมิสูงเกินไป โดยช่วยป้องกันไม่ให้เกิดอุบัติเหตุ เช่น ไฟไหม้ซึ่งเกิดจากการให้ความร้อนกับหม้อปรุงอาหารและภาชนะที่แห้งเพื่อปกป้องชีวิตของท่านและครอบครัว (เตาแก๊สรุ่นนี้มีฟังก์ชันดังกล่าวที่หัวเตาด้านซ้ายเท่านั้น)
- อุปกรณ์นิรภัยป้องกันไฟไหม้ที่ตำแหน่งกึ่งกลางของหัวเตาด้านซ้ายต้องสัมผัสกับกันหม้อเพื่อตรวจจับอุณหภูมิหม้อปรุงอาหาร
หากท่านสัมผัสปิดเตาแก๊สและให้ความร้อนกับหม้อปรุงอาหารจนถึงอุณหภูมิแจ้งเตือน (ประมาณ 290°C) ฟังก์ชันป้องกันไฟไหม้จะทำงาน โดยจะดับไฟที่หัวเตาด้านซ้ายโดยอัตโนมัติ พร้อมกับมีเสียงแจ้งเตือนดังขึ้นต่อเนื่องนาน 10 วินาที ที่ความถี่ 1 เฮิรตซ์ ไฟแสดงสถานะที่มุมด้านซ้ายบนของจอแสดงผลจะกะพริบต่อเนื่องจนกว่าจะหมุนลูกบิดไปยังตำแหน่งปิด
ตรวจสอบให้แน่ใจว่ากันหม้อปรุงอาหารสัมผัสกับเซ็นเซอร์มีดะนั้น ฟังก์ชันป้องกันไฟไหม้อาจทำงานไม่ถูกต้อง ฟังก์ชันนี้จะเริ่มทำงานหลังจากหม้อปรุงอาหารแห้งสนิทและวาล์วจะตัดแก๊สเมื่ออุปกรณ์นิรภัยป้องกันไฟไหม้ที่หัวเตาด้านซ้ายตรวจจับอุณหภูมิสูงเกิน 280°C (±3°C) หัวเตาด้านซ้ายจะไม่จุดติดไฟ
- ฟังก์ชันแจ้งเตือนแบตเตอรี่ต่ำ (เตาแก๊สรุ่นนี้มีฟังก์ชันดังกล่าวที่หัวเตาด้านซ้ายเท่านั้น)
หากแบตเตอรี่หมด ฟังก์ชันป้องกันไฟไหม้จะทำงานไม่ถูกต้อง โดยจะมีเสียงแจ้งเตือนพลังงานแบตเตอรี่ต่ำเมื่อผู้ใช้งานกดลูกบิดด้านซ้ายเพื่อจุดเตา หรือหากหัวเตาด้านซ้ายติดไฟแล้ว เสียงแจ้งเตือนจะดังขึ้นต่อเนื่องนาน 10 วินาทีที่ความถี่ 2 เฮิรตซ์ หลังจากเสียงแจ้งเตือนหยุดลง หัวเตาด้านซ้ายจะดับไฟทันที

ข้อสังเกต:

- สิ่งที่กล่าวมาข้างต้นไม่มีผลกับหัวเตาด้านขวา
- ผู้ใช้งานต้องเปลี่ยนแบตเตอรี่เพื่อปรุงอาหารต่อด้วยหัวเตาด้านซ้ายซึ่งมีฟังก์ชันป้องกันไฟไหม้ หรือเปลี่ยนไปปรุงอาหารด้วยหัวเตาด้านขวาเพื่อปรุงอาหารต่อไปโดยไม่มีฟังก์ชันป้องกันไฟไหม้

ข้อควรระวังเพื่อป้องกันไฟไหม้

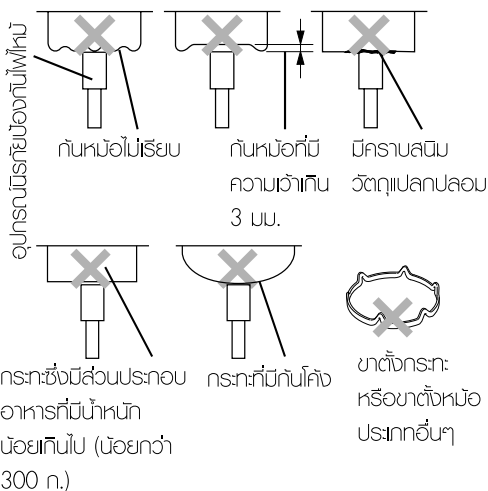
ก. หัวเตาที่มีฟังก์ชันป้องกันไฟไหม้ (หัวเตาด้านซ้าย) โปรดอ่านคำแนะนำต่อไปนี้ให้ละเอียดครบถ้วน เพื่อการทำงานที่ถูกต้องของอุปกรณ์นิรภัยป้องกันไฟไหม้

ในระหว่างการใช้งาน พื้นผิวด้านบนของอุปกรณ์นิรภัยป้องกันไฟไหม้ต้องสัมผัสกับก้นหม้อปรุงอาหาร มิฉะนั้นอุปกรณ์ดังกล่าวอาจทำงานไม่ถูกต้อง **ไม่ควรใช้หม้อที่มีก้นโค้งหรือแหลม หม้อตุ๋น หม้อดินเผา และอะลูมิเนียมกับหัวเตาด้านซ้ายซึ่งมีอุปกรณ์นิรภัยป้องกันไฟไหม้**

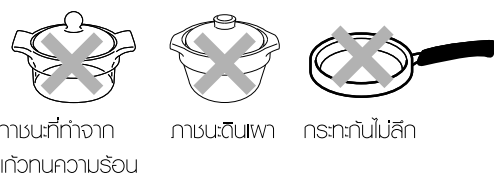
1. หากพื้นผิวด้านบนของอุปกรณ์นิรภัยป้องกันไฟไหม้ไม่สัมผัสกับก้นหม้อปรุงอาหาร อุปกรณ์ดังกล่าวจะไม่สามารถตรวจจับการเปลี่ยนแปลงของอุณหภูมิหม้อปรุงอาหารได้อย่างแม่นยำ ซึ่งอาจก่อให้เกิดเพลิงไหม้และอุบัติเหตุอื่นๆ ได้
2. ห้ามใช้ขาตั้งกระทะหรือขาตั้งหม้อประเภทอื่นๆ เนื่องจากอาจทำให้อุปกรณ์นิรภัยป้องกันไฟไหม้ไม่สัมผัสกับก้นหม้อและส่งผลต่อประสิทธิภาพการตรวจจับได้



คำเตือน



ห้ามใช้ภาชนะที่ทำจากแก้วทนความร้อน ภาชนะดินเผา ภาชนะประเภทอื่นๆ ที่มีคุณสมบัติการถ่ายโอนความร้อนช้า หรือ กระทะก้นไม่ลึกสำหรับการทอด หรือการทอดโดยใช้น้ำมันท่วม



อุณหภูมิน้ำมันปรุงอาหารจะสูงขึ้นอย่างรวดเร็ว ซึ่งอาจทำให้เกิดเพลิงไหม้หรือหัวเตาดับระหว่างปรุงอาหารได้

ข. เลือกภาชนะปรุงอาหารให้เหมาะสม

ประเภทของภาชนะปรุงอาหาร		平底	锅底	凸底	วิธีอื่นๆ	
หม้อธรรมดา 	ทองแดง เหล็ก	○	○	○	○	
	สแตนเลส (ก้นแบน)	ก้นหนา	○	○	○	○
		ก้นบาง	○	×	○	○
กระทะก้นลึกแบบจีน กระทะทอด 	ทองแดง เหล็ก	○	○	○	○	
	สแตนเลส (ก้นแบน)	ก้นหนา	○	○	○	○
		ก้นบาง	○	×	○	○
หม้อที่มีก้นหนาหรือเสริมความแข็งแรง 		○	×	○	○	
ภาชนะที่ทำจากแก้วทนความร้อน หม้อควมคุมแรงดัน หม้ออัดแรงดัน 		×	×	×	○	
กาน้ำ 		—	—	○	—	

สำหรับก้นแบบหนา มีความหนามากกว่า 2.5 มม. สำหรับก้นแบบบาง มีความหนาน้อยกว่า 2.5 มม.
○ : เหมาะสำหรับการใช้งาน
× : ไม่เหมาะสำหรับการใช้งาน (อุปกรณ์นิรภัยป้องกันไฟไหม้จะทำงานไม่ถูกต้อง)

คำเตือน

ภาชนะที่ทำจากแก้วทนความร้อน:

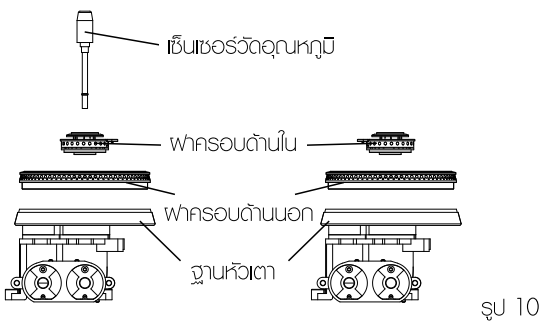
- จับหูภาชนะไว้ตลอดเวลาในขณะที่ปรุงอาหาร
- ตรวจสอบให้แน่ใจว่าก้นหม้อปรุงอาหารสัมผัสกับอุปกรณ์นิรภัยป้องกันไฟไหม้
- เนื่องจากหม้อปรุงอาหารและกระทะมีขนาดและประเภทให้สื่อการใช้งานแตกต่างกันไป ดังนั้นตรวจสอบให้แน่ใจว่าหม้อปรุงอาหารและกระทะมีความมั่นคง มิฉะนั้นอุปกรณ์นิรภัยป้องกันไฟไหม้อาจทำงานไม่ถูกต้อง

พิวกระจก

- พิวกระจกที่มีคราบฝังแน่น ให้ทำความสะอาดโดยใช้ฟ้านลอนหรือครีมทำความสะอาด (Creamed Powder Cleansers) ขัดออกแรงๆ หรือใช้น้ำยาทำความสะอาดอเนกประสงค์ โดยปฏิบัติตามข้อแนะนำของพิวฟลิตอย่างเคร่งครัด แต่ไม่ควรใช้น้ำยาที่มีฤทธิ์กัดกร่อน พิวขัดทำความสะอาด ฟอยขัดหน้า หรือเวกซ์ขัดมัน
- ห้ามใช้พิวกระจกของเตาเป็นโต๊ะทำงาน

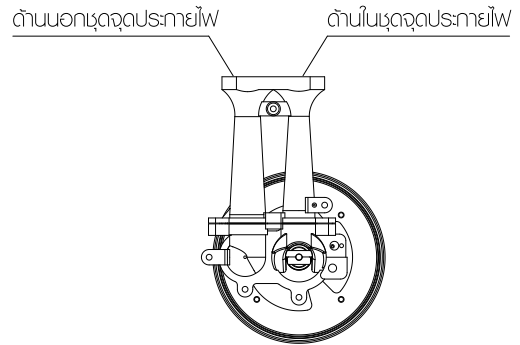
ฟากรอบหัวเตาและฐาน

- ฟากรอบและหัวเตาสามารถยกออกเพื่อแยกทำความสะอาดได้
- ตรวจสอบให้แน่ใจว่าฟากรอบหัวเตาและฐานแห้งดีแล้วหลังจากทำความสะอาดหรือเมื่อมีอาหารหก
- เมื่อทำความสะอาดหัวเตา ต้องดูให้แน่ใจว่ารูเก็สไม่อุดตัน (รูป 10/11)



รูป 10

- หากจำเป็น ให้ใช้ก้านไม้ขีดหรือแปรงเพื่อทำความสะอาดรูเก็ส
- หลังจากทำความสะอาดแล้ว ตรวจสอบให้แน่ใจว่าใส่ฟากรอบหัวเตาสลับเข้าตำแหน่งอย่างถูกต้องแล้ว
- หลังจากทำความสะอาด เมื่อใส่ฟากรอบและหัวเตาสลับเข้าที่ จะต้องระวังอย่าให้กระแสแก๊สจุดประกายไฟ เพราะอาจทำให้แก๊สจุดประกายไฟแตกได้และอาจเกิดปัญหาเมื่อจุดไฟ



รูป 11



หมายเหตุ:
เมื่อใส่ฟากรอบหัวเตาและฐานกลับเข้าที่ ตรวจสอบให้แน่ใจว่าได้ใส่กลับในตำแหน่งที่ถูกต้องแล้ว
โปรดสวมถุงมือเสมอเมื่อต้องปฏิบัติงานซ่อมบำรุงใดๆ

สิ่งที่ต้องทำหากเกิดปัญหา

ปัญหา	สาเหตุ	วิธีแก้ไข
หัวเตาไม่ติด	มีอากาศอยู่ในท่อแก๊ส ท่อแก๊สตัน หัวจุดไฟไม่ติด แบตเตอรี่เสื่อม/หมดอายุ ติดตั้งหัวเตาผิดวิธี	ไล่อากาศออกให้หมด หาจุดที่อุดตันแล้วเอาสิ่งที่อุดตันออก ตรวจสอบสายและขั้วจุดไฟ เปลี่ยนแบตเตอรี่ วางหัวเตาในตำแหน่งที่ถูกต้อง
ไฟที่หัวเตาไหลกลับ เข้าหาหัวจุด	มีผงสะสมอยู่ที่ท่อผสมแก๊ส แรงดันแก๊สสูงเกินไป	ถอดหัวเตาออกมาล้างทำความสะอาด ตรวจสอบวาล์วควบคุมแรงดันแก๊สและปรับให้เหมาะสมถ้าจำเป็น
หัวเตามีอาการระเบิดขณะจุด	แรงดันแก๊สสูงเกินไป	ตรวจสอบวาล์วควบคุมแรงดันแก๊สและปรับให้เหมาะสมถ้าจำเป็น
หัวจุดไฟไม่ติดไฟ	ขั้วจุดไฟอยู่ห่างกันมากเกินไป ชุดต่อหัวจุดไฟหลวม แบตเตอรี่เสื่อม/หมดอายุ	ตรวจสอบช่องว่างระหว่างขั้ว แล้วปรับตั้งใหม่ ถ้าความห่างไม่ได้อยู่ระหว่าง 4-5 มม. ตรวจสอบชุดต่อหัวจุดไฟและเปลี่ยนใหม่ถ้าชุดเดิมเสีย เปลี่ยนแบตเตอรี่
ฟังก์ชั่นป้องกันไฟไหม้ไม่ทำงาน	แบตเตอรี่หมด เซ็นเซอร์วัดอุณหภูมิป้องกันการไหม้ชำรุด หัวจุดไฟแบบฟิลส์สำหรับการป้องกันไฟไหม้ชำรุด	เปลี่ยนแบตเตอรี่แห้ง 2 ก้อน เปลี่ยนเซ็นเซอร์ เปลี่ยนหัวจุดไฟแบบฟิลส์สำหรับการป้องกันไฟไหม้

รหัสความผิดปกติและการแก้ไขสำหรับผลิตภัณฑ์รุ่น EHG8248BT			
สถานะ:	ปัญหา	รหัสที่ปรากฏ	การแก้ไข
การแจ้งเตือน “เมื่อเวลาที่ถูกต้องไว้ สิ้นสุดลง”	เมื่อเหลือเวลา 10 วินาที เสียงแจ้งเตือนจะดังขึ้น ต่อเนื่องนาน 20 วินาที ที่ความถี่ 1 เฮิรซ์ เมื่อเหลือเวลา 0 วินาที เพลวไฟที่หัวเตาจะดับลง และ “0:00” จะปรากฏ บนจอแสดงผลต่อไปอีก 10 วินาที และหลังจากนั้น จะหายไป ไฟแสดงสถานะที่มุมด้านบนของจอแสดงผล จะกะพริบต่อเนื่องจนกว่าจะหมุนลูกบิดไปยังตำแหน่งปิด	0:00	หมุนลูกบิดไปยังตำแหน่งปิด เปิดใช้งานฟังก์ชันตั้งเวลาปิด อีกครั้งโดยจุดไฟอีกครั้ง
การแจ้งเตือน “วงจรถัดของวาล์ว เทอร์โมคัปเปิล”	เสียงเตือนจะดังขึ้นที่ความถี่ 1 เฮิรซ์และ “E1” จะปรากฏ บนจอแสดงผลต่อเนื่องนาน 10 วินาทีและหลังจากนั้น จะหายไป	E1	เปลี่ยนวงจรวาล์ว เทอร์โมคัปเปิลใหม่
การแจ้งเตือน “พลังงานแบตเตอรี่ ต่ำ”	เสียงเตือนจะดังขึ้นที่ความถี่ 2 เฮิรซ์และ “L0” จะปรากฏบน จอแสดงผลต่อเนื่องนาน 10 วินาทีและหลังจากนั้น จะหายไป	L0	เปลี่ยนแบตเตอรี่แห่ง 2 ก้อน



คำเตือน:

อย่าฉีดพ่นสเปรย์ใดๆ เตาขณะกำลังใช้งาน แก๊สบางชนิดอาจเปลี่ยนสถานะเมื่อได้รับความร้อนและเกิดเป็นไอระเหยที่มีฤทธิ์กัดกร่อน
วัสดุบางอย่างได้

ไม่ควรนำของที่ทำด้วยวัสดุติดไฟได้มาเก็บไว้ในลิ้นชักหรือตู้ที่อยู่ใต้เตา

อย่าเก็บของไว้ใต้เตาในระยะ: 50 มม.

อย่าแตะที่หัวจุดไฟขณะกำลังติดไฟที่หัวเตา

ในกรณีที่ตั้งเตาไว้บนเรือหรือรถพ่วงตู้คอนเทนเนอร์ อย่าใช้เตานี้เป็นฮีตเตอร์

ข้อกำหนดทางเทคนิค

LPG				LPG	
	หัวเตาประเภทกันลิก ด้านซ้าย (EHG8238BC) (EHG8248BT)	5.0 กิโลวัตต์ 364 กรัม/ ชั่วโมง		หัวเตาประเภทกันลิก ด้านขวา (EHG8238BC) (EHG8248BT)	5.0 กิโลวัตต์ 364 กรัม/ ชั่วโมง
การรีไฟ	1.0 กิโลวัตต์	แก๊ส แอลพี	EHG8238BC	EHG8248BT	
การปรับแรงดัน	30mbar	หัวเตาประเภทกันลิก (ด้านนอก) (ด้านใน)	Ø0.88, 6-Ø4.2	Ø0.88, 6-Ø4.2	
การต่อระบบแก๊ส	เกลียวตรงขนาด 0.5 นิ้ว (14 เกลียวต่อนิ้ว)		Ø0.54, 6-Ø3.0	Ø0.54, 6-Ø3.0	
แบตเตอรี่	3V D.C				

เชื้อไขมาตรฐานการรับประทัน

บริษัทอีเลคทริกอล ขอใหการรับประทันเครื่องใชหรือชิ้นส่วใด ๆ ของอีเลคทริกอลตามระยะเวลาการรับประทัน (อ้างอิงตามระยะเวลาการรับประทันของแต่ละประเทศ (เดือน)) หากไดรับการพิสูจนว่าการชำรุดเสียหายนั้นเกิดจากคุณภาพของเครื่องใชหรือวัสดุ บริษัทจะทำการซ่อมแซมหรือเปลี่ยนใหมโดยไมเสียค่าใช้จ่ายในส่วของค่าแรง ค่าชิ้นส่วต่างๆ หรือค่าขนส่ง โดยมีเชื้อไขไววา: เครื่องใชนี้ตองไดรับการติดตั้งอยางถูกตองและใชงานดวยกำลังไฟฟ้ที่ระบุนับนวลากแสดงขอมูลถาันทัน เครื่องใชนี้มีวัตถุประสงคสำหรับใชงานทั่วไปภายในบานถาันทัน และการใชงานตองเป็นไปตามคำแนะนำจากพิพสิต เครื่องใชนี้ตองไมไดรับการบริการ บำรุงรักษา ซ่อมแซม เปลี่ยนอะไหล่ หรือดัดแปลง โดย่างที่ไมไดรับอนุญาตจากทางบริษัท

การบริการทั้งหมดภายใต้เชื้อไขการรับประทันนี้ตองดำเนินการโดยศูนย์บริการลูกค้าอีเลคทริกอล อุปกรณ์เครื่องใชหรือชิ้นส่วที่ชำรุดเสียหายตอเป็นกรพิยสินของทางบริษัท การรับประทันนี้เป็นไปตามกฎหมายและสิทธิตามกฎหมายอื่นๆ ของถาน การรับประทันนี้ไมรวมการบำรุงรักษา เช่น การทำความสะอาด

พิพสิตขอปฏิสธการรับพิดชอบทั้งหมดในกรณีที่ไม่ปฏิบัติตามคำแนะนำในการติดตั้ง การบำรุงรักษา และการใชอุปกรณ์เครื่องใชนี้อยางไมถูกตอง

หากตองการขอแนะนำด้านเทคนิคหรือตองการขอมูลเพิ่มเติมเกี่ยวกับพิพสิตถานนี้ โปรดติดตอศูนย์บริการอีเลคทริกอล ตามที่อยู่ด้านล่างนี้

INDONESIA

Customer Care Center: 0804 111 9999 (Semi Toll Free)
PT. Electrolux Indonesia
Electrolux Building Jl. Abdul Muis No.34, Petojo Selatan,
Gambir Jakarta Pusat 10160
SMS/Whatsapp: 0811 833 9777
HYPERLINK "mailto:vn-care@electrolux.com"
Email: customer-care@electrolux.co.id
HYPERLINK "http://www.electrolux.vn/"
Website: www.electrolux.co.id

MALAYSIA

Customer Care Hotline: 1300 88 1122
Electrolux Home Appliances Sdn. Bhd.
Corporate Office Address: Unit T2-7, 7th Floor, Tower 2,
PJ33, No.3, Jalan Semangat, Seksyen 13,
46200 Petaling Jaya, Selangor.
Fax No: +603-5524 2521
HYPERLINK "mailto:malaysia.customer-care@electrolux.com"
Email: malaysia.customer-care@electrolux.com
HYPERLINK "http://www.electrolux.com.my/"
Website: www.electrolux.com.my

THAILAND

Customer Care Center: 02-7259000
Electrolux Thailand Co., Ltd.
Electrolux Building 14th Floor 1910 New Phetchaburi Road,
Bangkapi, Huai Khwang, Bangkok 10310
Line ID: @electroluxcare
Email: HYPERLINK "mailto:customer-care-thai@electrolux.com"
customer-care-thai@electrolux.com
HYPERLINK "http://www.electrolux.th/"
Website: www.electrolux.co.th

VIETNAM

Customer Care Center: 1800 58 88 99 (Toll Free)
Electrolux Vietnam Ltd.
Floor 9th, A&B Tower 76 Le Lai street-Ben Thanh Ward-District 1
Ho Chi Minh City, Vietnam
HYPERLINK "mailto:vn-care@electrolux.com"
Email: vn-care@electrolux.com
HYPERLINK "http://www.electrolux.vn/"
Website: www.electrolux.vn

PHILIPPINES

Domestic Toll Free PLOT No: 1-800-10-845-CARE (2273)
Electrolux Philippines, Inc.
10th Floor, W5th Avenue Building 5th Avenue Corner 32nd Street
Bonifacio Global City, Taguig Philippines 1634
Manila Hotline No: (02) 845-CARE (2273) / (02)-8845-4663
HYPERLINK "mailto:malaysia.customer-care@electrolux.com"
Email: we-care@electrolux.com
HYPERLINK "http://www.electrolux.com.my/"
Website: www.electrolux.com.ph

SINGAPORE

Customer Care hotline is +65 6727 3699
Electrolux S.E.A. Pte Ltd.
1 Fusionopolis Place, #07-10 Galaxis, West Lobby
Singapore 138522.
HYPERLINK "mailto:customer-care.SIN@electrolux.com"
Email: customer-care.SIN@electrolux.com
HYPERLINK "http://www.electrolux.com.sg/"
Website: www.electrolux.com.sg

HONG KONG

Service Hotline: +852 3193 9888
DCH Electrical Appliances Services Centre 5/F, DCH Building,
20 Kai Cheung Road, Kowloon Bay, Hong Kong
HYPERLINK "mailto:ha@ead.dch.com.hk"
Email: ha@ead.dch.com.hk
HYPERLINK "http://www.electrolux.com.hk/"
Website: www.electrolux.com.hk